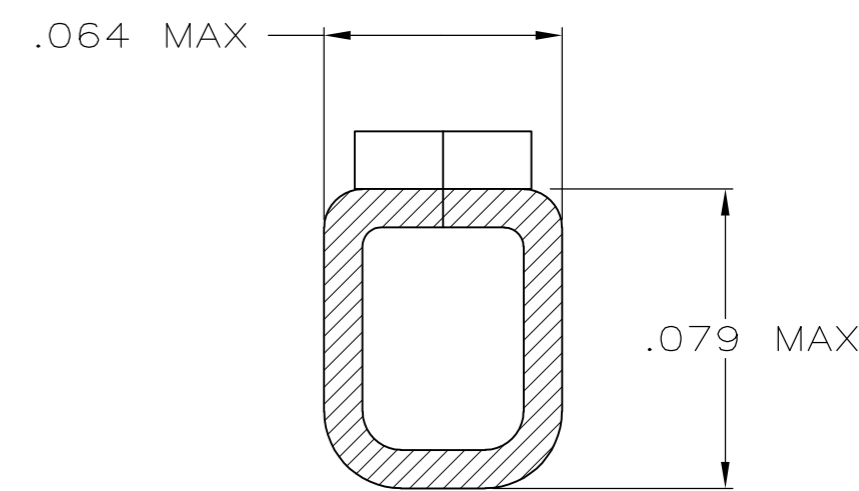
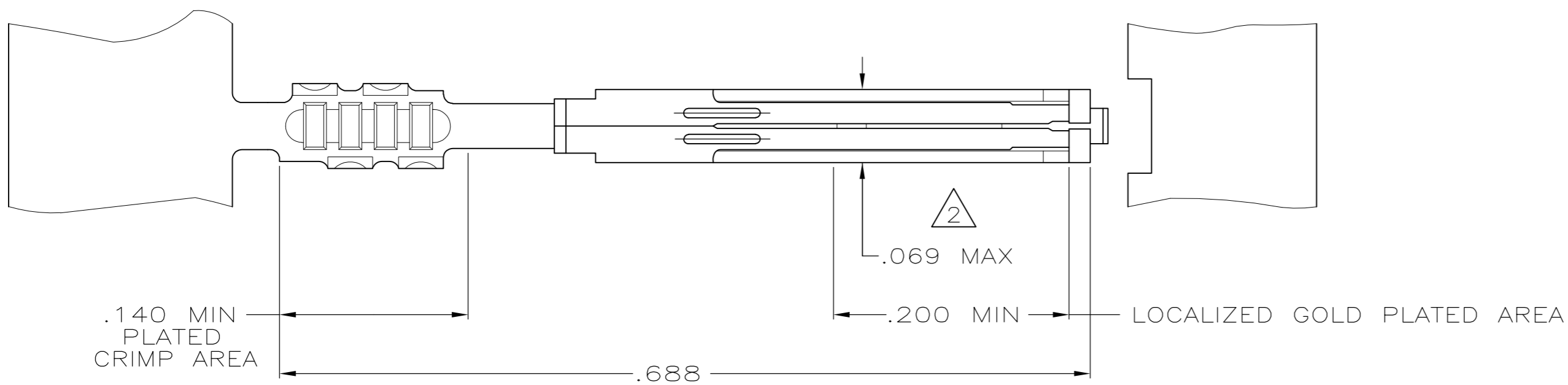
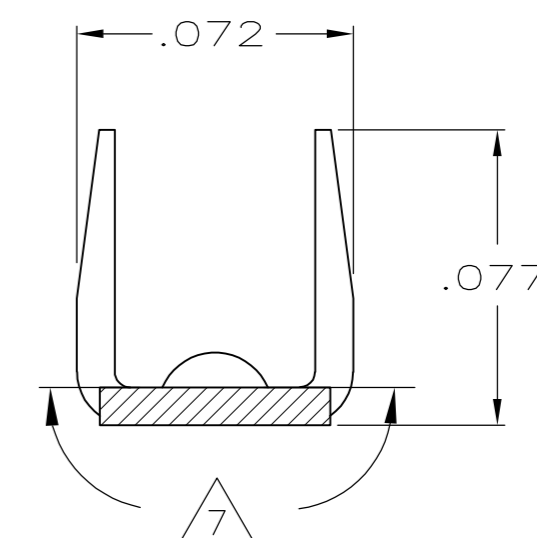
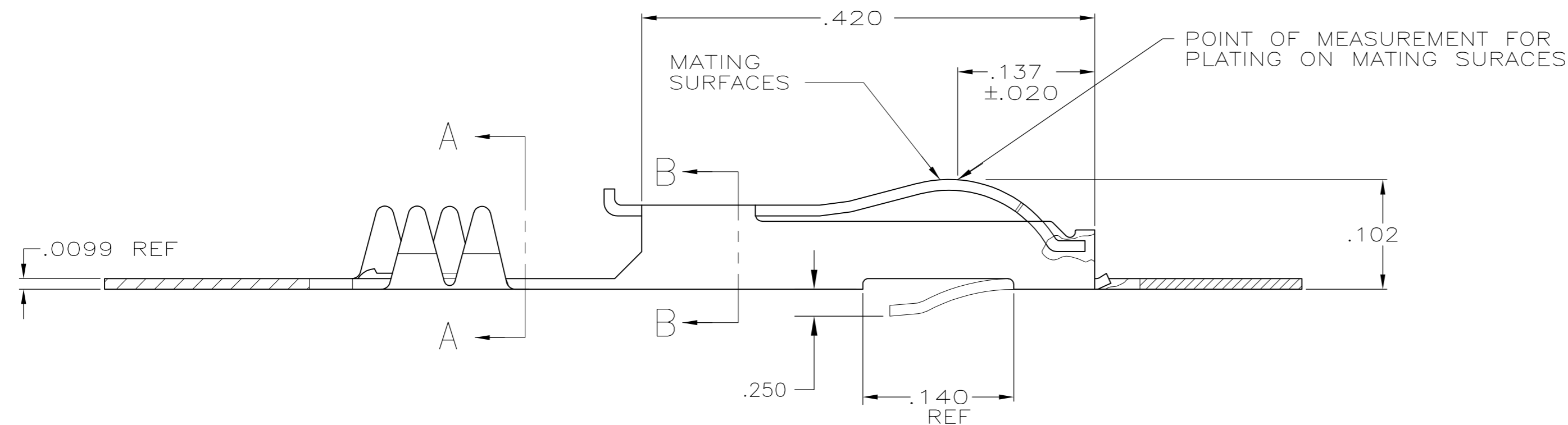


THIS DRAWING IS UNPUBLISHED. RELEASED FOR PUBLICATION
 © COPYRIGHT BY TYCO ELECTRONICS CORPORATION. ALL RIGHTS RESERVED.

| LOC | DIST | REVISIONS | | | |
|-----|------|---------------------------|-----------|-----|------|
| P | LTR | DESCRIPTION | DATE | DWN | APVD |
| GP | 00 | | | | |
| | AJ | REVISED PER ECO-12-011709 | 26JUN2012 | RW | SY |



SECTION B-B



SECTION A-A

- 1 PREPLATED WITH NICKEL UNDERPLATE .000050 MIN THK ON ENTIRE CONTACT WITH GOLD .000015 MIN THK ON MATING SURFACES IN LOCALIZED AREA AND PLATED WITH BRIGHT TIN-LEAD .000100 MIN THK IN CRIMP AREA.
- 2 .069 MAX ALLOWED IN LOCKING LATCH AREA FOR .140 REF LENGTH.
- 3 PREPLATED WITH NICKEL UNDERPLATE .000050 MIN THK ON ENTIRE CONTACT WITH GOLD .000030 MIN THK ON MATING SURFACES IN LOCALIZED AREA AND PLATED WITH BRIGHT TIN-LEAD .000100 MIN THK IN CRIMP AREA.
- 4 PLATED WITH NICKEL UNDERPLATE .000050 MIN THK ON ENTIRE CONTACT WITH GOLD .000015 MIN THK ON MATING SURFACES IN LOCALIZED AREA AND PLATED WITH GOLD FLASH IN CRIMP AREA, -OR- PLATED WITH NICKEL UNDERPLATE .000050 MIN THK ON ENTIRE CONTACT WITH GOLD FLASH OVER PALLADIUM-NICKEL .000015 MIN TOTAL THK ON MATING SURFACES IN LOCALIZED AREA AND PLATED WITH GOLD FLASH IN CRIMP AREA.
- 5 PREPLATED WITH NICKEL UNDERPLATE .000050 MIN THK ON ENTIRE CONTACT WITH GOLD .000030 MIN THK ON MATING SURFACES IN LOCALIZED AREA AND PLATED WITH GOLD FLASH IN CRIMP AREA.
- 6 OBSOLETE PARTS: OBSOLETE CIS STREAMLINING PER D.RENAUD/D.SINISI.
- 7 GOLD COVERAGE MAY OR MAY NOT BE PRESENT ON BOTTOM OF CRIMP BARREL IN THIS AREA.

| | | | |
|---|----------|------|----------|
| 6 | OBSOLETE | 5 | 485800-6 |
| | | 4 | 485800-5 |
| 6 | OBSOLETE | 3 | 485800-3 |
| | OBSOLETE | 1 | 485800-2 |
| | | FNSH | PART NO |

| | | | | |
|--|--|----------------------------------|---|--|
| THIS DRAWING IS A CONTROLLED DOCUMENT. | | DWN P.BERRY 3-21-86 | Tyco Electronics Corporation Harrisburg, PA 17105-3608 | |
| DIMENSIONS: INCHES | | CHK D.WORTHINGTON 3-24-86 | NAME CONTACT, CARD EDGE | |
| TOLERANCES UNLESS OTHERWISE SPECIFIED: | | APVD - | PRODUCT SPEC 108-9024 | |
| 0 PLC ± - | | APPLICATION SPEC 114-16015 | | |
| 1 PLC ± - | | SIZE A2 CAGE CODE 00779 C=485800 | | |
| 2 PLC ± - | | WEIGHT - | | |
| 3 PLC ± .005 | | CUSTOMER DRAWING | | |
| 4 PLC ± - | | SCALE NTS SHEET 1 OF 1 | | |
| 4 ANGLES ± - | | REV AJ | | |
| FINISH SEE TABLE | | | | |