

# CGA5L3X5R1H106K160AB

TDK Item Description : CGA5L3X5R1H106KT\*\*\*\*



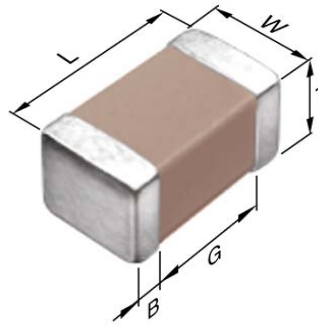
Equivalent C3216X5R1H106K for Automotive

## Application & Main Feature

Automotive Grade ( General (Up to 50V) )

## Series

CGA5(3216) [EIA CC1206]



## Dimensions

L 3.20mm +0.3,-0.1mm  
 W 1.60mm +0.3,-0.1mm  
 T 1.60mm +0.3,-0.1mm  
 B 0.20mm Min.  
 G 1.00mm Min.

## Temperature Characteristic

X5R (-55 to 85 degC +/-15%)

## Rated Voltage

1H (50Vdc)

## Capacitance

10uF

## Capacitance Tolerance

K (+/-10%)

## Dissipation Factor

7.5% Max.

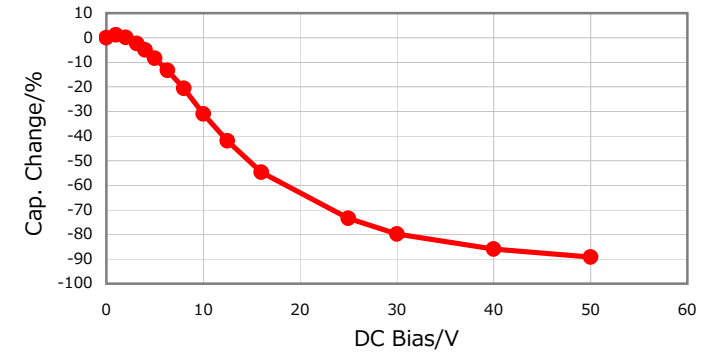
## Insulation Resistance

50Mohm Min.

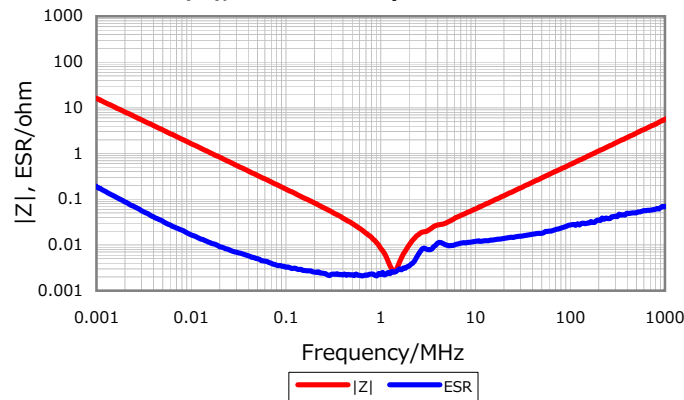
## AEC-Q200

Yes

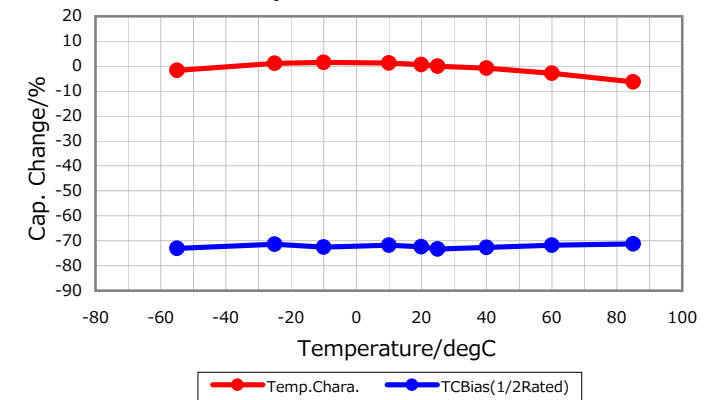
## DC Bias Characteristic



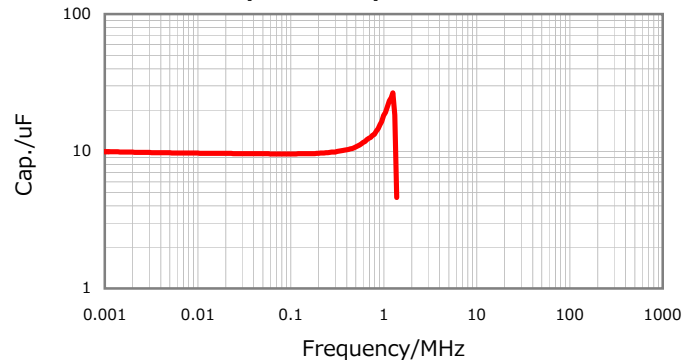
## |Z|, ESR vs. Freq. Characteristics



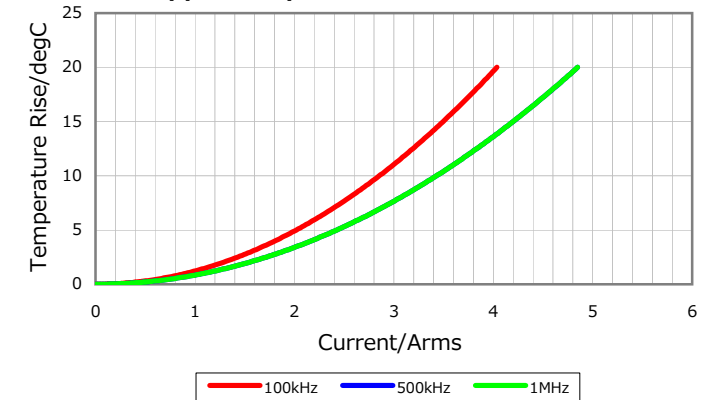
## Temperature Characteristics



## Cap. vs. Freq. Characteristic



## Ripple Temperature Rise Characteristics



Characterization Sheet ( Multilayer Ceramic Chip Capacitors )



All specifications are subject to change without notice.

January 4, 2016