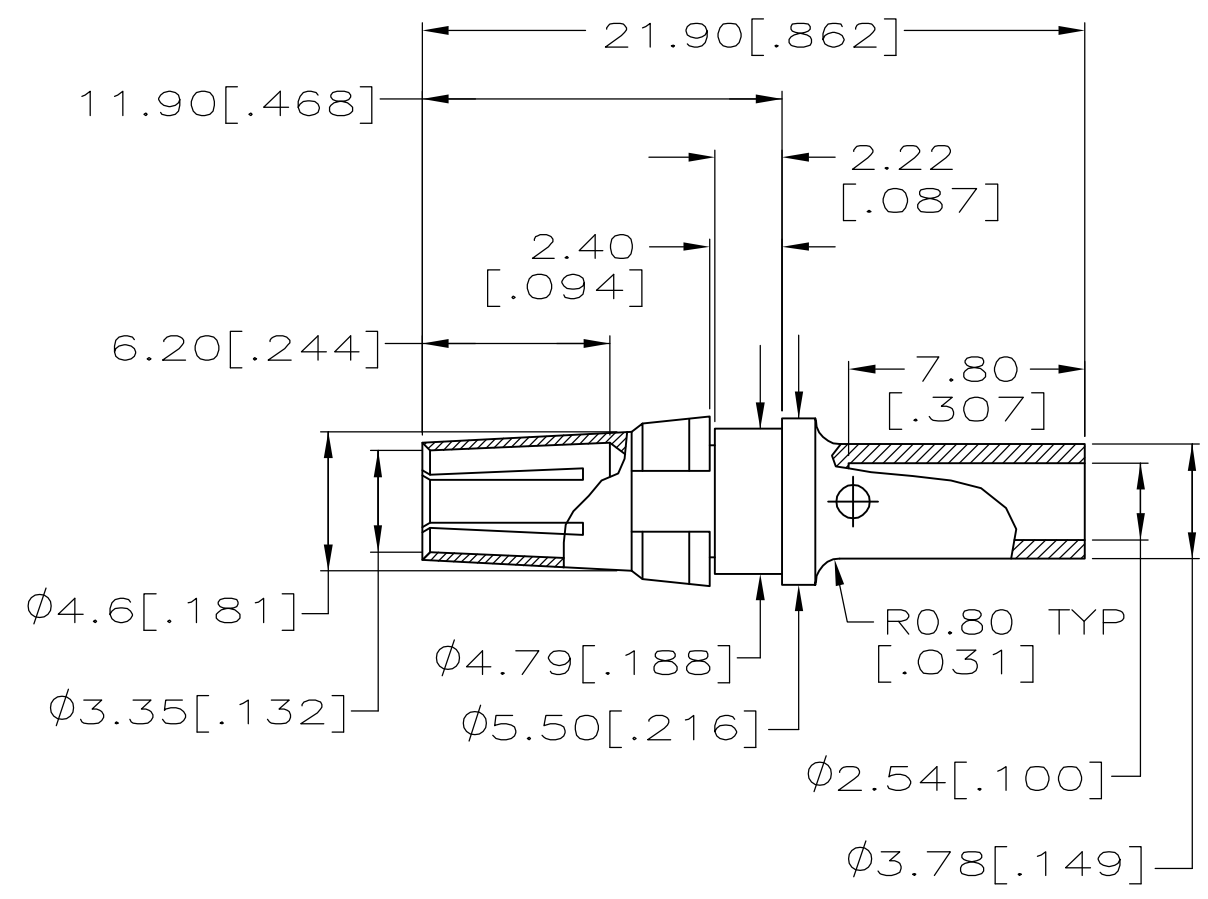


THIS DRAWING IS UNPUBLISHED. RELEASED FOR PUBLICATION  
 © COPYRIGHT BY TYCO ELECTRONICS CORPORATION. ALL RIGHTS RESERVED.

LOC		DIST		REVISIONS					
AD		00		P	LTR	DESCRIPTION	DATE	DWN	APVD
					D	REV PER ECO-05-0094418	13SEP05	BC	RP

1. WIRE BARREL WILL ACCEPT 12-14 AWG WIRE.
2. MATES WITH PART NUMBER 148248-1.
3. RECOMMENDED CRIMPING TOOL: DANIELS TOOL #M300-BT, POSITIONER PART NUMBER SP689, SETTING #1, STRIP LENGTH 8.13[.320].

△ 0.00076 [.000030] MIN GOLD PLATE IN MATING AREA.  
 TIN LEAD PLATE IN CRIMP AREA.



CONTACT; COPPER ALLOY	148221-1
RETAINING RING; COPPER ALLOY	
MATERIAL	PART NUMBER

THIS DRAWING IS A CONTROLLED DOCUMENT.		DWN	L. BRINER	19APR96	<b>tyco</b> Electronics	Tyco Electronics Corporation	
DIMENSIONS: mm [INCHES]		CHK	R. PATTERSON	19APR96		Harrisburg, PA 17105-3608	
TOLERANCES UNLESS OTHERWISE SPECIFIED:		APVD	R. PATTERSON	19APR96	NAME		
0 PLC ± -		PRODUCT SPEC		POWER CONTACT, FEMALE			
1 PLC ± -		APPLICATION SPEC		CRIMP, AWG 12-14, (20 AMP)			
2 PLC ± 0.13[.005]		SIZE	A3	CAGE CODE	00779	DRAWING NO	C-148221
3 PLC ± -		WEIGHT		RESTRICTED TO		-	
4 PLC ± -		CUSTOMER DRAWING					
ANGLES ± -		SCALE		SHEET		REV	
FINISH		4:1		1 OF 1		D	
MATERIAL		SEE TABLE					
△ 4							