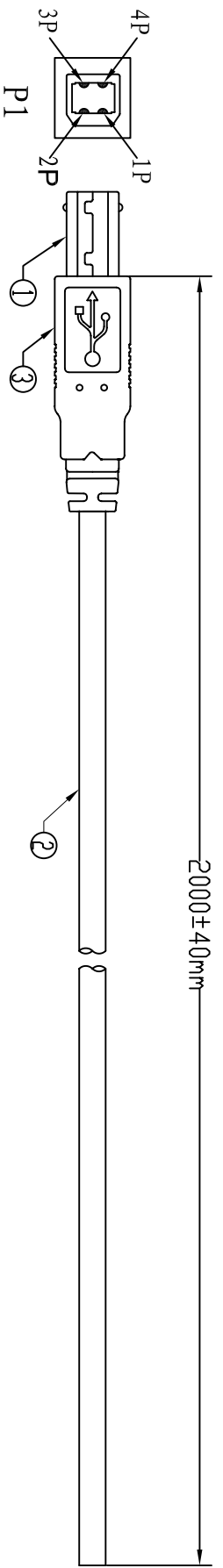


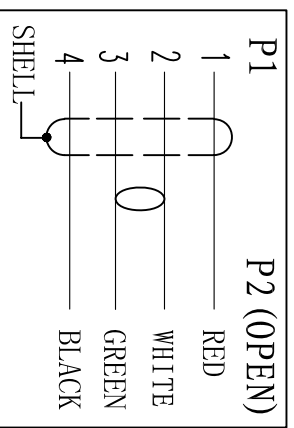
UNIT:mm



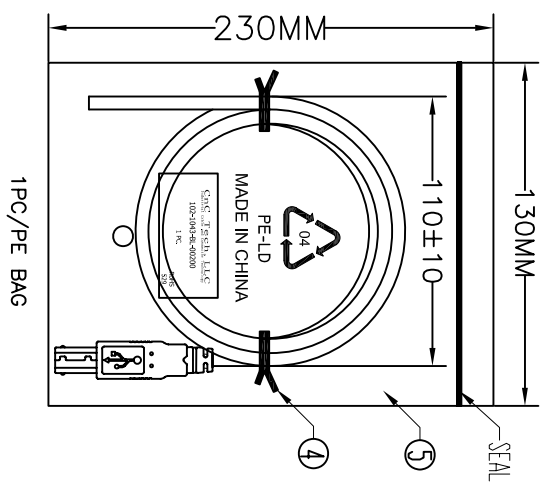
CABLE BLACK PRINT

HI-SPEED USB Revision 2.0 SHIELDED 28AWG/1P+28AWG/2C
E189529 **RU** AWM STYLE 2725 80°C 30V VW-1 VEGA TECH

PIN ASSIGNMENT:



Electrical test:
 1. 100% short, open, miswire test
 2. Conduct resistance: 2 Ohm(max)
 3. Insulation resistance: 5Mohm(min)
 4. dielectric test: DC 300V



⑥	PE BAG	1/10	CLEAR SIZE:280*330*0.05mm PRINT BLACK"MADE IN CHINA"+"10PCS"印生产周期,有透气孔.
⑤	PE BAG	1	CLEAR SIZE:130*230*0.05mm PRINT BLACK"MADE IN CHINA"+"1PC"印生产周期,有透气孔.
④	TIE	2	BLACK L=100mm
③	OUT JACKET	12g	BLACK PVC-40P (MOULD NO: MW-65)
②	CABLE	1	BLACK USB2.0 UL2725 28#/1P+28#/2C+AB OD:4.7mm L=1000±10
①	CONN	2set	USB2.0 B MALE SHELL:NICKEL PIN G/F 3PCS TYPE INSULATOR COLOR:WHITE
NO.	NAME	Q'TY	SPECIFICATION

CNC Tech, LLC			
Industrial Cable and Connector Technology			
DRAWN	LI CHENG	DRAWING NO	
CHECKED		CUSTOMER	
APPROVAL		ITEM NO.	102-1043-BL-00200
DECIDED		DATE	2012-11-23
VERSIONS/EDITED	A/0	PROJECTION	

4 3 2 1