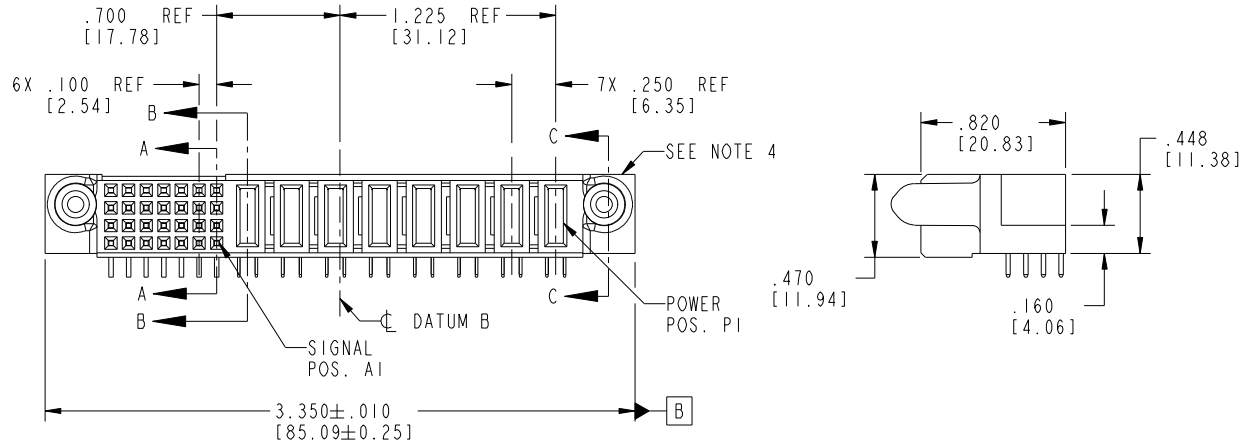


Tous droits strictement reserves. Reproduction ou communication a des tiers interdite sous quelque forme que ce soit sans autorisation écrite du propriétaire. Propriete de c FCI. Droits de reproduction FCI.



All rights strictly reserved. Reproduction or issue to third parties in any form whatever is not permitted without written authority from the proprietor. Property of FCI. Copyright FCI.

PRODUCT NO.	ROWS	SIGNAL								POWER								E1
		E2	7	6	5	4	3	2	1	P8	P7	P6	P5	P4	P3	P2	P1	
51772-003-- NOTE: 3	D C B A		H	H	H	H	H	H	H	PA	PC	PC	PA	PC	PA	PC	PA	
		G	G	G	G	G	G	G	G									
		F	F	F	F	F	F	F	F									
		E	E	E	E	E	E	E										



CODE	DIM "M" MATING LENGTH	CONTACT TYPE
E	N/A [N/A]	SIGNAL
F	N/A [N/A]	SIGNAL
G	N/A [N/A]	SIGNAL
H	N/A [N/A]	SIGNAL
PA	.042 [1.07]	POWER
PC	.092 [2.34]	POWER

mat'l code SEE NOTE 2				tolerances unless otherwise specified		CUSTOMER			
ltr	ecn no.	dr	date	linear	.XX±.01/0.X±0.3	COPY		www.fciconnect.com	
A	V04-0801	TAB	08/05/04		.XXX±.005/0.XX±0.13	projection		title 8P + 28S	
B	DG05-0300	GuoJM	08/29/05		.XXX±.0020/0.XXX±0.051	INCH/MM		R/A SOLDER RECEPTACLE	
C	DG08-0272	SH	09/28/08	angles	0°±2°	scale 1:1		product family PwrBlade code 213	
				dr	T. BRUNGARD 08/05/04			size dwg no 51772-003 sheet 1 of 4	
				enr	M. GRAY 08/05/04				
				chr	M. GRAY 08/05/04				
				appd	M. GRAY 08/05/04				
sheet index	revision sheet	C 1	C 2	C 3	C 4				

cage code 22526

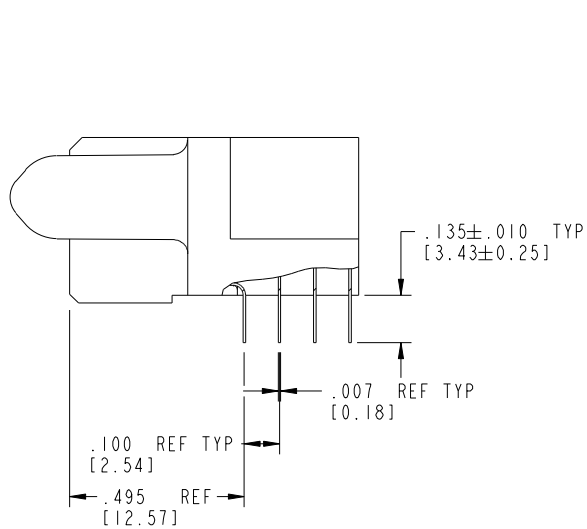
Pro/E

Tous droits strictement reserves. Reproduction ou communication a des tiers interdite sous quelque forme que ce soit sans autorisation écrite du propriétaire. Propriete de c FCI. Droits de reproduction FCI.

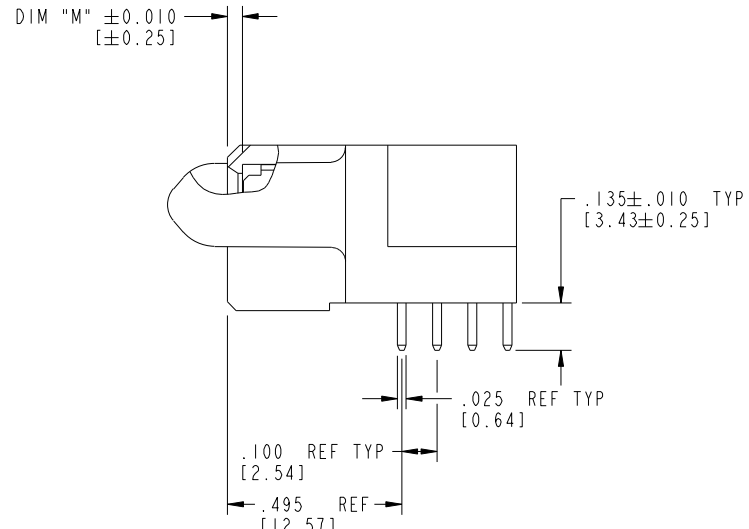


All rights strictly reserved. Reproduction or issue to third parties in any form whatever is not permitted without written authority from the proprietor. Property of FCI. Copyright FCI.

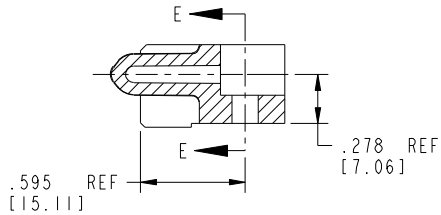
PRODUCT NUMBER  
51772-003--  
NOTE: 3



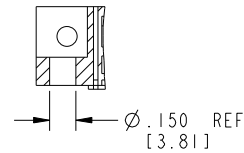
BROKEN-OUT SECTION A-A  
SCALE 2:1



BROKEN-OUT SECTION B-B  
SCALE 2:1



SECTION C-C



PARTIAL SECTION E-E

mal't code		SEE NOTE 2		tolerances unless otherwise specified		CUSTOMER		 www.fciconnect.com	
ltr	ecn no.	dr	date	linear	.XX ± .01 / 0.X ± 0.3	COPY		title	
C					.XXX ± .005 / 0.XX ± 0.13	projection		8P + 28S	
				angles	.XXX ± .0020 / 0.XXX ± 0.051			R/A SOLDER RECEPTACLE	
				dr	0° ± 2°	INCH/MM		product family	
				enr	T. BRUNGARD 08/05/04	scale		PwrBlade	
				chr	M. GRAY 08/05/04	1:1		code	
				appd	M. GRAY 08/05/04	A		size	
sheet index		revision sheet				A		dwg no	
								51772-003	
								sheet	
								2 of 4	

cage code 22526

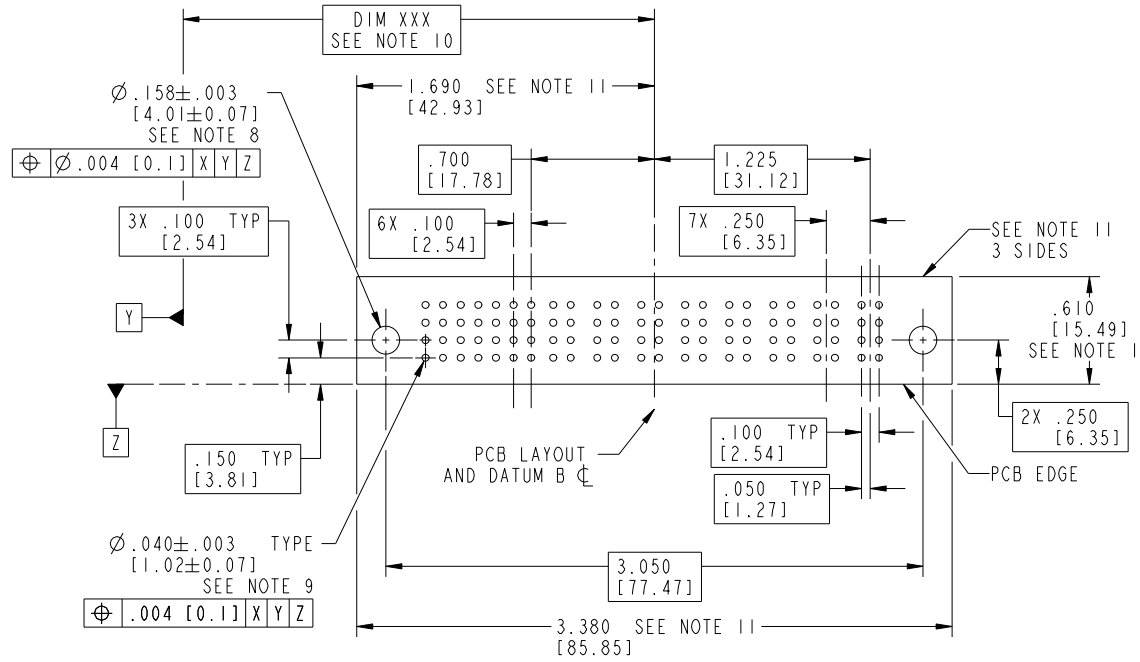
Pro/E

Tous droits strictement reserves. Reproduction ou communication a des tiers interdite sous quelque forme que ce soit sans autorisation écrite du propriétaire. Propriete de c FCI. Droits de reproduction FCI.



All rights strictly reserved. Reproduction or issue to third parties in any form whatever is not permitted without written authority from the proprietor. Property of FCI. Copyright FCI.

PRODUCT NUMBER  
51772-003--  
NOTE: 3



RECOMMENDED PCB LAYOUT

mat'l code				tolerances unless otherwise specified		CUSTOMER		FCI	
ltr	ecn no.	dr	date	linear	.XX±.01/0.X±0.3	COPY		www.fciconnect.com	
C					.XXX±.005/0.XX±0.13	projection		title	
				angles	.XXX±.0020/0.XXX±0.051			8P + 28S R/A SOLDER RECEPTACLE	
				dr	0°±2°	INCH/MM		product family	
				enr	T. BRUNGARD 08/05/04	scale		PwrBlade	
				chr	M. GRAY 08/05/04	1:1		code	
				appd	M. GRAY 08/05/04	A		size	
sheet index		revision sheet				A		dwg no	
								51772-003	
								sheet	
								3 of 4	

cage code 22526

Pro/E

Tous droits strictement reserves. Reproduction ou communication a des tiers interdite sous quelque forme que ce soit sans autorisation écrite du propriétaire. Propriete de c FCI. Droits de reproduction FCI.



All rights strictly reserved. Reproduction or issue to third parties in any form whatever is not permitted without written authority from the proprietor. Property of FCI. Copyright FCI.

PRODUCT NUMBER  
51772-003--  
NOTE: 3

NOTES:

1. DIMENSIONS AND TOLERANCES ARE IN ACCORDANCE WITH ASME Y14.5M, 1994 UNLESS OTHERWISE SPECIFIED.

CONNECTOR NOTES:

- 2. HOUSING MATERIAL: UL 94 V-0 GLASS FILLED  
HIGH-TEMP THERMOPLASTIC  
POWER CONTACT MATERIAL: COPPER ALLOY  
SIGNAL PIN MATERIAL: COPPER ALLOY
- 3. PLATING:  
SEE ITEM 5 & 6 IN PRINT 10064183 FOR PLATING SPEC OF 51772-003 AND 51772-003LF RESPECTIVELY
- 4. MANUFACTURER'S NAME, P/N, AND DATE CODE TO APPEAR ON THIS SURFACE.
- 5. PRODUCT SPECIFICATION GS-12-149.  
APPLICATION SPECIFICATION BUS-20-067.
- 6. PACKAGED IN TRAYS.

PCB NOTES:

- 7. ALL HOLE DIAMETERS ARE FINISHED HOLE SIZE.
- 8. MOUNTING HOLES, WHERE APPLICABLE, ARE UNPLATED.
- 9.  $\varnothing .0453 \pm .0010$  [ $1.151 \pm 0.025$ ] DRILLED HOLES PLATED WITH  $.0003$  [ $0.008$ ] MIN SnPb OVER  $.001$  [ $0.03$ ] TO  $.003$  [ $0.08$ ] Cu PLATING TO ACHIEVE  $\varnothing .040 \pm .003$  [ $1.02 \pm .07$ ] HOLE.
- 10. "DIM XXX" TO BE DETERMINED BY THE CUSTOMER.
- 11. CONNECTOR KEEP-OUT ZONE.

12: A SYMBOL WILL BE NEXT TO ANY DIMENSION, VIEW, OR NOTE WHICH HAS BEEN MODIFIED WITH CURRENT DRAWING VERSION.

mat'l code				SEE NOTE 2			tolerances unless otherwise specified			CUSTOMER			
ltr	ecn no.	dr	date	linear	.XX±.01/0.X±0.3			COPY		www.fciconnect.com			
C					.XXX±.005/0.XX±0.13			projection		title 8P + 28S			
					.XXX±.0020/0.XXX±0.051					R/A SOLDER RECEPTACLE			
				angles	0°±?			INCH/MM		product family PwrBlade		code 213	
				dr	T. BRUNGARD	08/05/04		←		size		sheet 4 of 4	
				enr	M. GRAY	08/05/04		scale		dwg no		213	
				chr	M. GRAY	08/05/04		1:1		A 51772-003		4 of 4	
				appd	M. GRAY	08/05/04							
sheet index		revision sheet											

cage code 22526

Pro/E