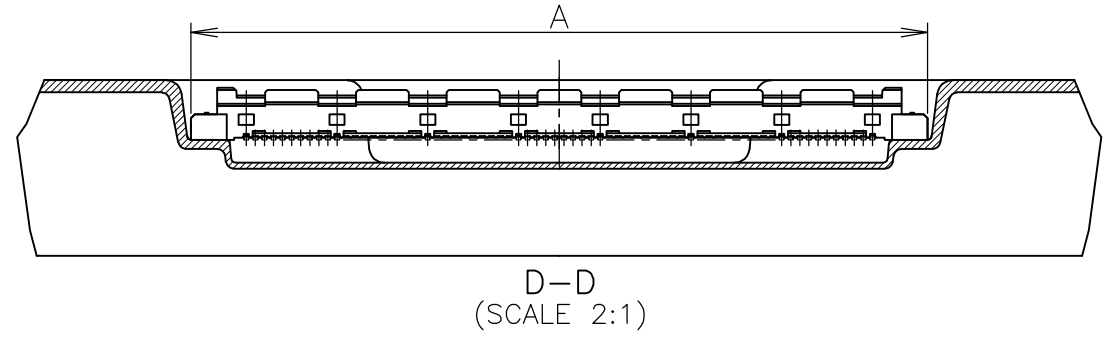
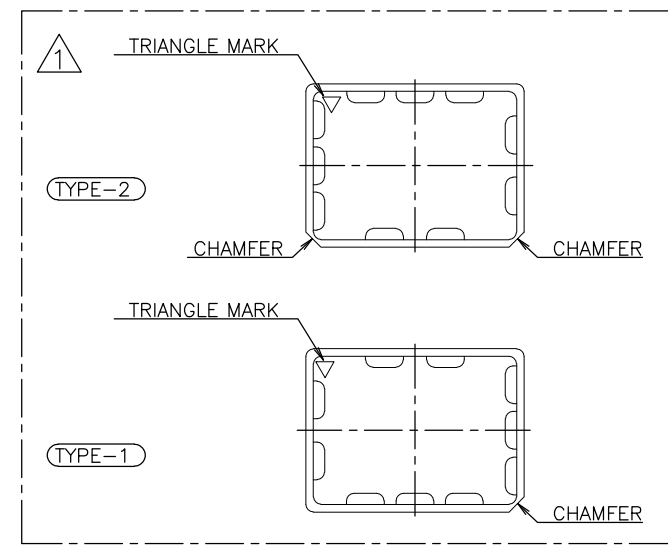
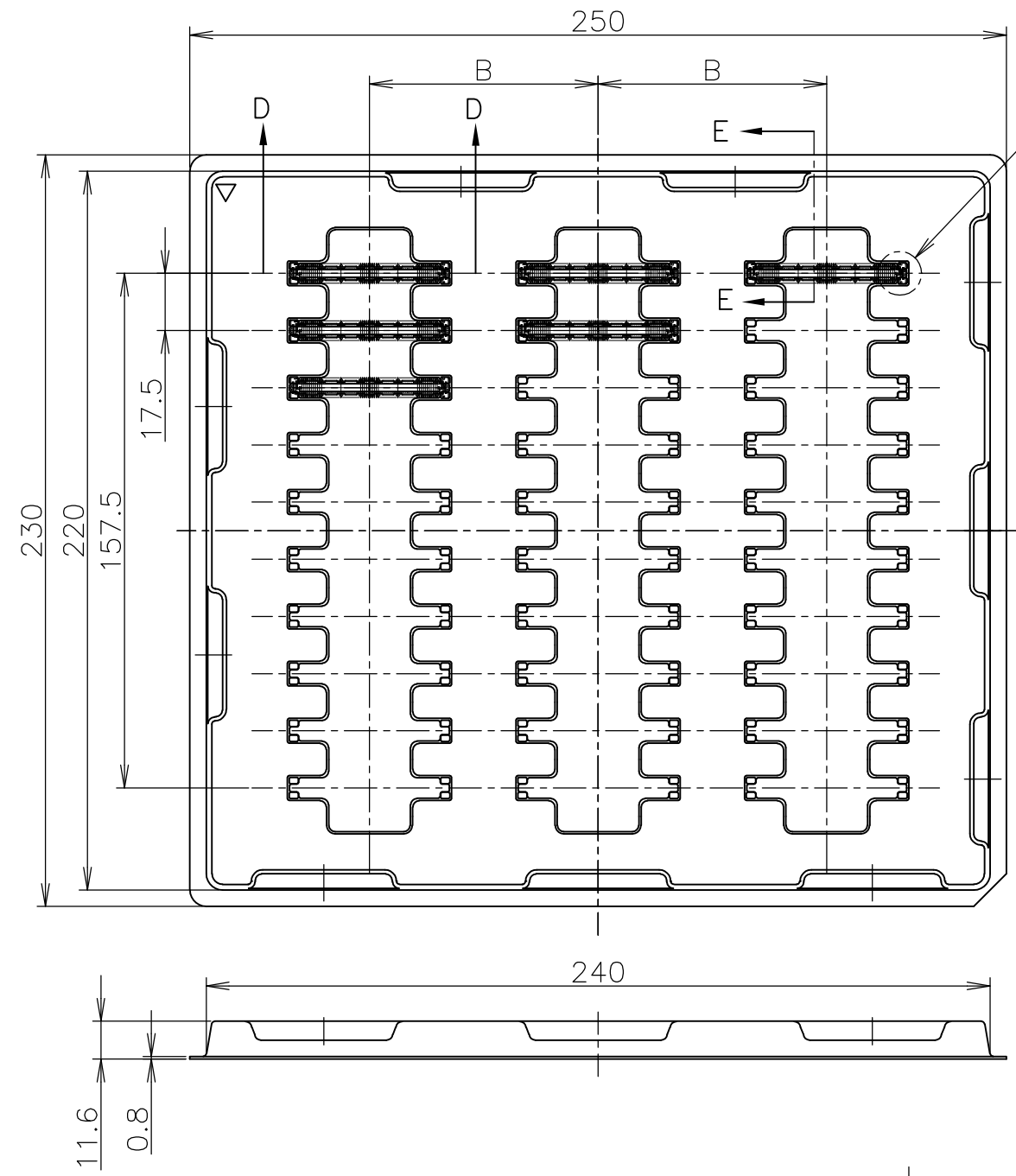


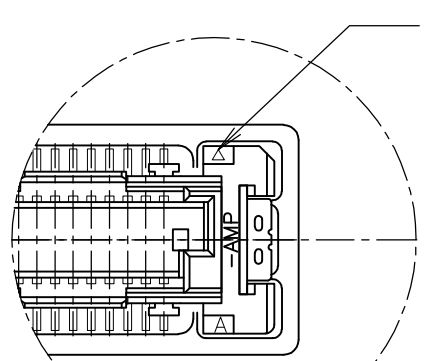
THIS DRAWING IS UNPUBLISHED. RELEASED FOR PUBLICATION MAY, 1995.
 © COPYRIGHT 1995 BY TYCO ELECTRONICS CORPORATION. ALL RIGHTS RESERVED.

LOC	DIST	REVISIONS					
		P	LTR	DESCRIPTION	DATE	DWN	APVD
J		B		REVISED	11JUN07	Y.S	Y.N

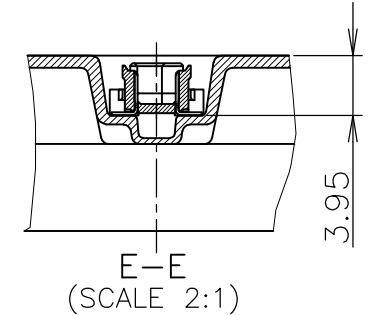
AS SHOWN: TYPE-1



▲ TRAY TYPE-1 AND TYPE-2 MUST BE
 PILED UP BY TURNS.
 (REFER TO PACKING SPECIFICATIONS)



POSITION NO.1

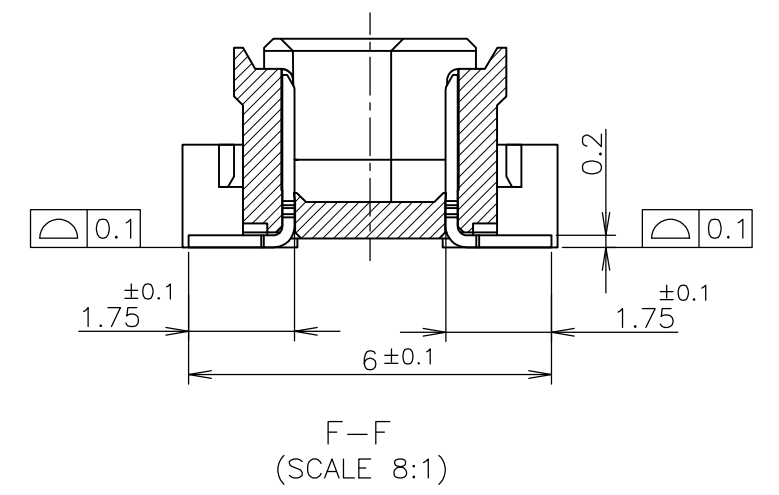
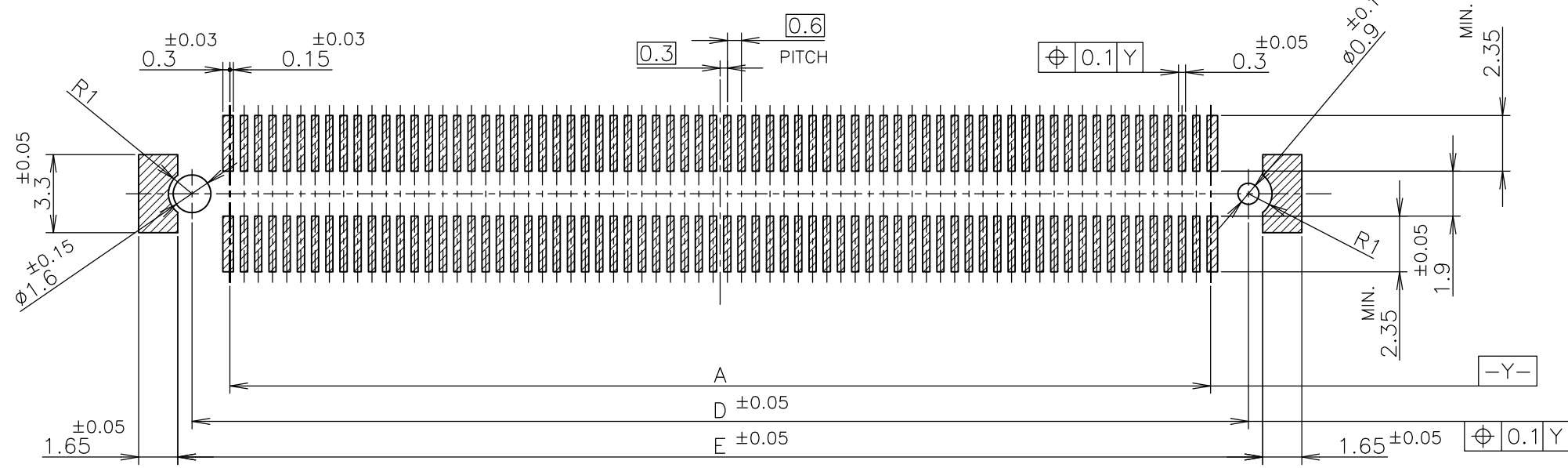
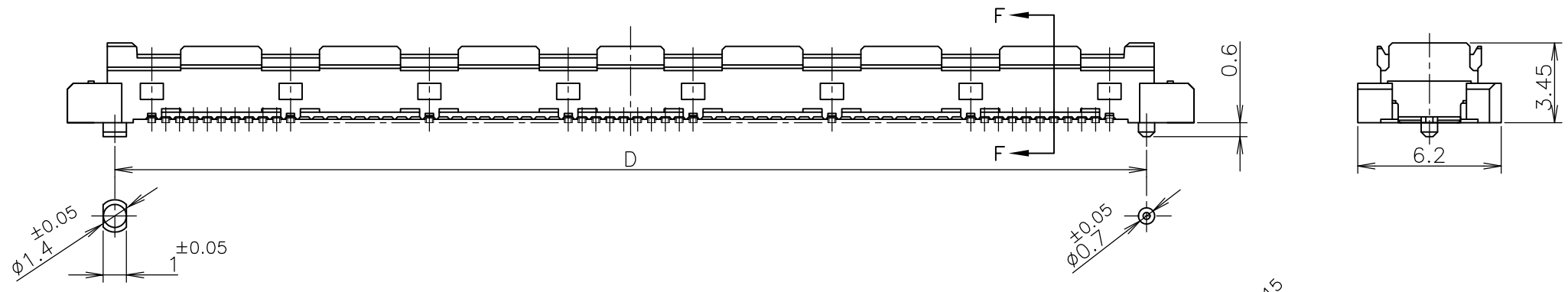
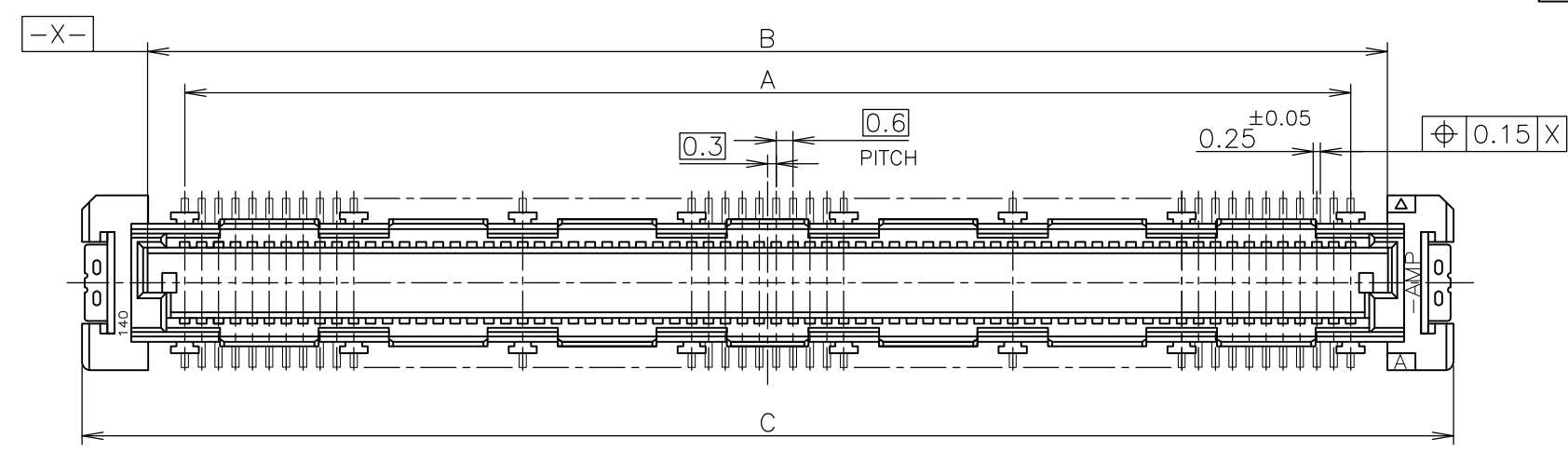


DETAIL C
(SCALE 4:1)

THIS DRAWING IS A CONTROLLED DOCUMENT.		DWN Y.SHINO 8MAY07	Tyco Electronics AMP K.K. Kawasaki, Japan		
DIMENSIONS: MM		CHK Y.NAKAZAWA 8MAY07	NAME		
TOLERANCES UNLESS OTHERWISE SPECIFIED:		APVD T.FUTATSUGI 8MAY07	PRODUCT SPEC		
0 PLC ± 0.3		108-60047		SOFT TRAY ASSY	
1 PLC ± 0.3		APPLICATION SPEC		FH 0.6BTB CONNECTOR	
2 PLC ± 0.3		114-5255		PLUG 4H STD Au PLATED 0.00076MM	
3 PLC ± 0.3		SIZE A3	CAGE CODE 00779	DRAWING NO C-2013011	RESTRICTED TO
4 PLC ± 0.3		WEIGHT		SCALE 1:2 SHEET 1 OF 2 REV B	
ANGLES ± 3°		CUSTOMER DRAWING			
FINISH					

THIS DRAWING IS UNPUBLISHED. RELEASED FOR PUBLICATION MAY, 1995.
 © COPYRIGHT 1995 BY TYCO ELECTRONICS CORPORATION. ALL RIGHTS RESERVED.

LOC	DIST	REVISIONS					
J		P	LTR	DESCRIPTION	DATE	DWN	APVD
				SEE SHEET 1			



RECOMMENDED P.C.BOARD LAYOUT

- 2 MATERIAL ; HOUSING : HIGH TEMP THERMO PLASTIC
UL94V-0
CONTACT : COPPER ALLOY
SOLDER PEG : COPPER ALLOY
 - 3 FINISH ; CONTACT
UNDER PL Ni 0.0013mm MIN ALL OVER.
CONTACT AREA : 0.00076 MIN Au PL.
SOLDERING AREA : 0.00005 MIN Au PL.
SOLDER PEG
UNDER PL Ni 0.0005mm MIN ALL OVER.
ALL OVER : 0.003mm MIN Sn-Pb PL.
4. SEE PACKING ASSY DWG AS FINAL ASSY PART NUMBER.

THIS DRAWING IS A CONTROLLED DOCUMENT.		DWN		Tyco Electronics		Tyco Electronics AMP K.K.	
DIMENSIONS: MM		TOLERANCES UNLESS OTHERWISE SPECIFIED:		NAME		Kawasaki.Japan	
0 PLC ± 0.3		1 PLC ± 0.3		PRODUCT SPEC		SOFT TRAY ASSY	
2 PLC ± 0.3		3 PLC ± 0.3		APPLICATION SPEC		FH 0.6BTB CONNECTOR	
4 PLC ± 0.3		ANGLES ± 3'		SIZE		PLUG 4H STD Au PLATED 0.00076MM	
MATERIAL		FINISH		CAGE CODE		DRAWING NO	
2		3		A3 00779		G-2013011	
CUSTOMER DRAWING				SCALE 4:1		SHEET 2 OF 2	
						REV B	

18.8	17.6	21.7	17	14.4	50
E	D	C	B	A	POS