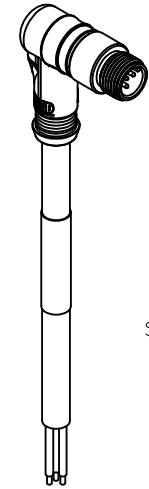
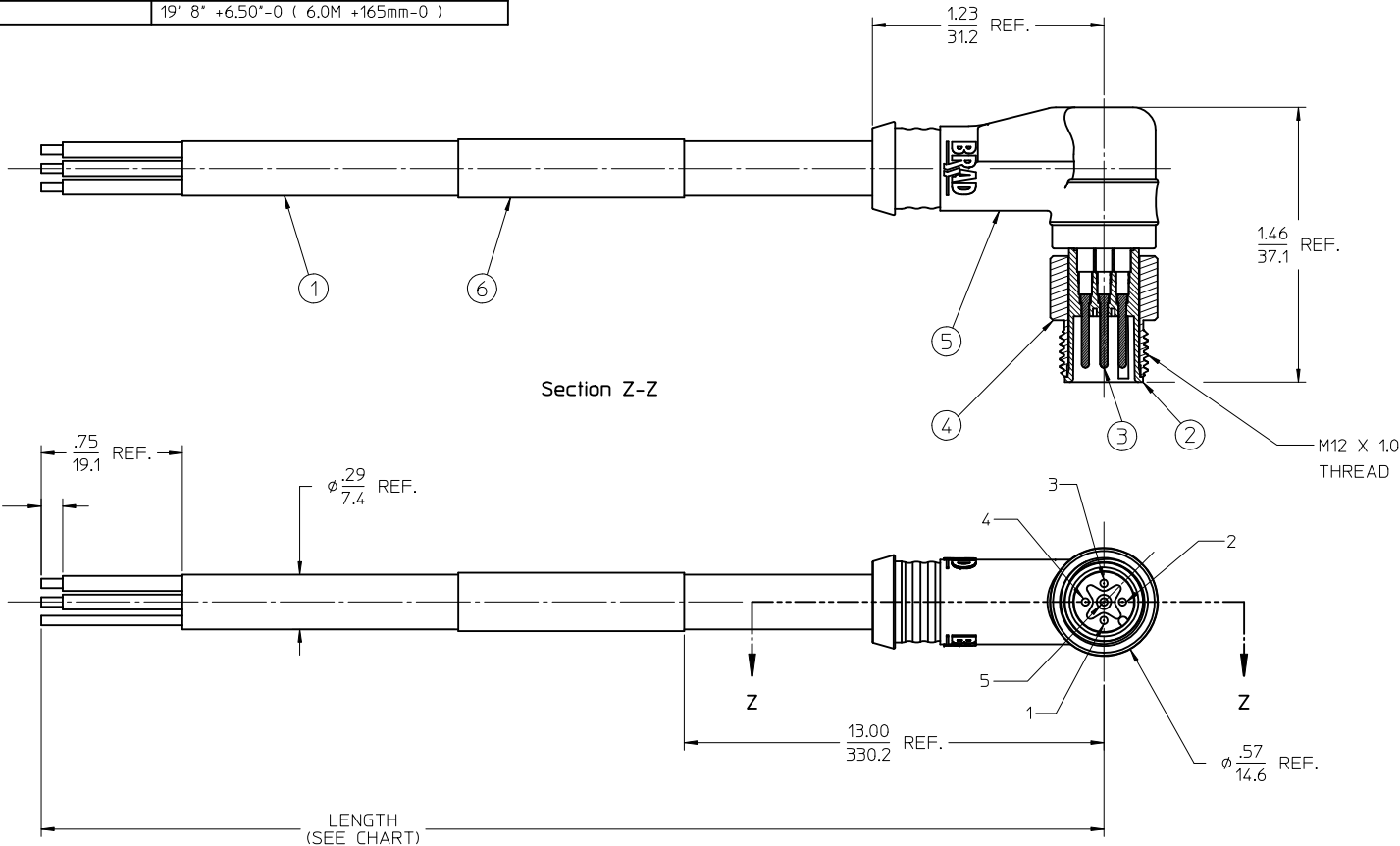


MATERIAL NO.	ENGINEERING NO.	MADE FROM
848548028	84854-8028	1' 8" +1.75"-0 (.5M +45mm-0)
848548029	84854-8029	3' 3" +2.19"-0 (1.0M +56mm-0)
848548030	84854-8030	6' 7" +3.50"-0 (2.0M +89mm-0)
		9' 10" +3.50"-0 (3.0M +89mm-0)
848548031	84854-8031	13' 1" +6.50"-0 (4.0M +165mm-0)
		16' 5" +6.50"-0 (5.0M +165mm-0)
		19' 8" +6.50"-0 (6.0M +165mm-0)



Iso1
Scale 1:1

- NOTES:
1. MATERIAL: SEE TABLE
 2. FINISHES: SEE TABLE
 3. PACKAGING: SEALED POLY BAGS WITH BAR-CODE LABEL
 4. MATES WITH: MIC 5 POLE DEV-NET RECEPTACLE
 5. ELECTRICAL SPECIFICATIONS:
CURRENT RATING: 4.0 AMPS MAX
 6. PART IS RoHS COMPLIANT

ITEM	QTY.	DESCRIPTION	MATERIAL	FINISH
6	1	LABEL	PLASTIC FILM	YELLOW/BLACK
5	1	OVERMOLD	PVC	GRAY
4	1	COUPLING NUT, EXT. THREAD	BRASS	NICKEL PLATED
3	5	CONTACT PIN	Cu ALLOY	GOLD PLATED
2	1	INSERT, 5 POLE	NYLON	BLACK
1	1	CABLE, 2 PR. SHIELDED, DEV-NET, THIN	PVC JACKET	GRAY

RELEASED EC NO: MNA2010-0402 DRINKERSTONE 2010/01/05 CHKD:B. WOODMAN 2010/01/07 APPR:J.MURPHY 2010/01/07	QUALITY SYMBOLS ▽=0 ▽=0	GENERAL TOLERANCES (UNLESS SPECIFIED)	DIMENSION STYLE IN/MM	SCALE 2:1	DESIGN UNITS INCH	THIRD ANGLE PROJECTION												
		<table border="1"> <thead> <tr> <th></th> <th>mm</th> <th>INCH</th> </tr> </thead> <tbody> <tr> <td>4 PLACES</td> <td>± ---</td> <td>± ---</td> </tr> <tr> <td>3 PLACES</td> <td>± ---</td> <td>± .005</td> </tr> <tr> <td>2 PLACES</td> <td>± 0.13</td> <td>± .01</td> </tr> <tr> <td>1 PLACE</td> <td>± 0.3</td> <td>±</td> </tr> </tbody> </table>		mm	INCH	4 PLACES	± ---	± ---	3 PLACES	± ---	± .005	2 PLACES	± 0.13	± .01	1 PLACE	± 0.3	±	DRAWN BY R. STONE
	mm	INCH																
4 PLACES	± ---	± ---																
3 PLACES	± ---	± .005																
2 PLACES	± 0.13	± .01																
1 PLACE	± 0.3	±																
DRAFT WHERE APPLICABLE MUST REMAIN WITHIN DIMENSIONS		APPROVED BY J. MURPHY	DATE 2010/01/06	MOLEX INCORPORATED														
A		MATERIAL NO. SEE CHART	DOCUMENT NO. SD-84854-024	SHEET NO. 1 OF 1														