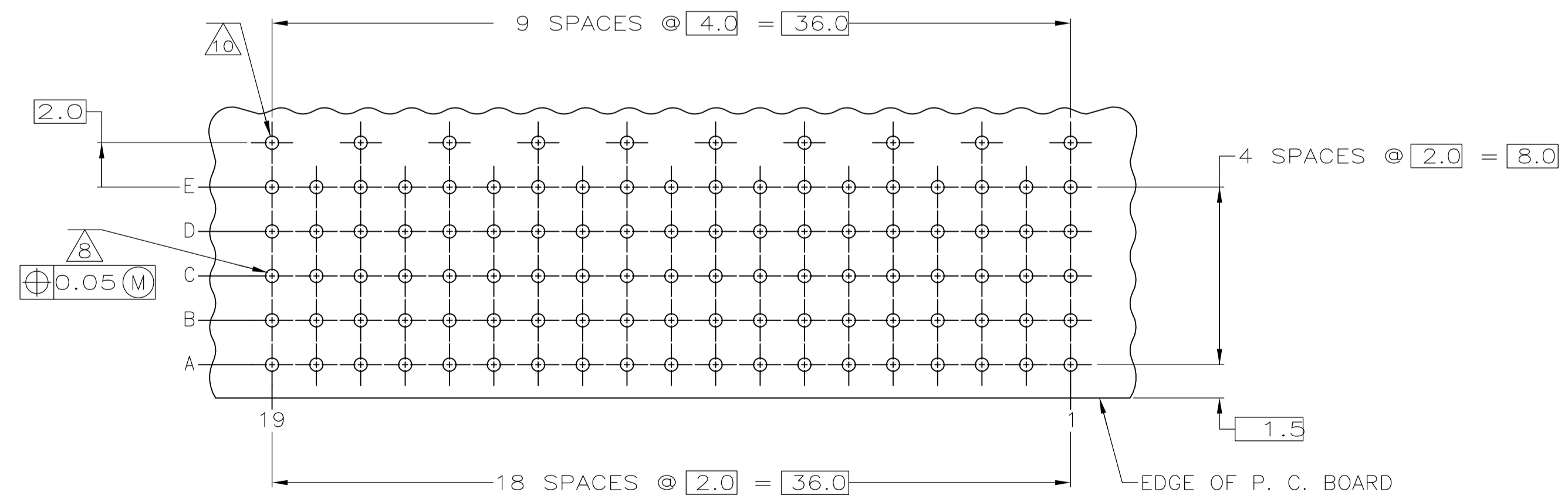
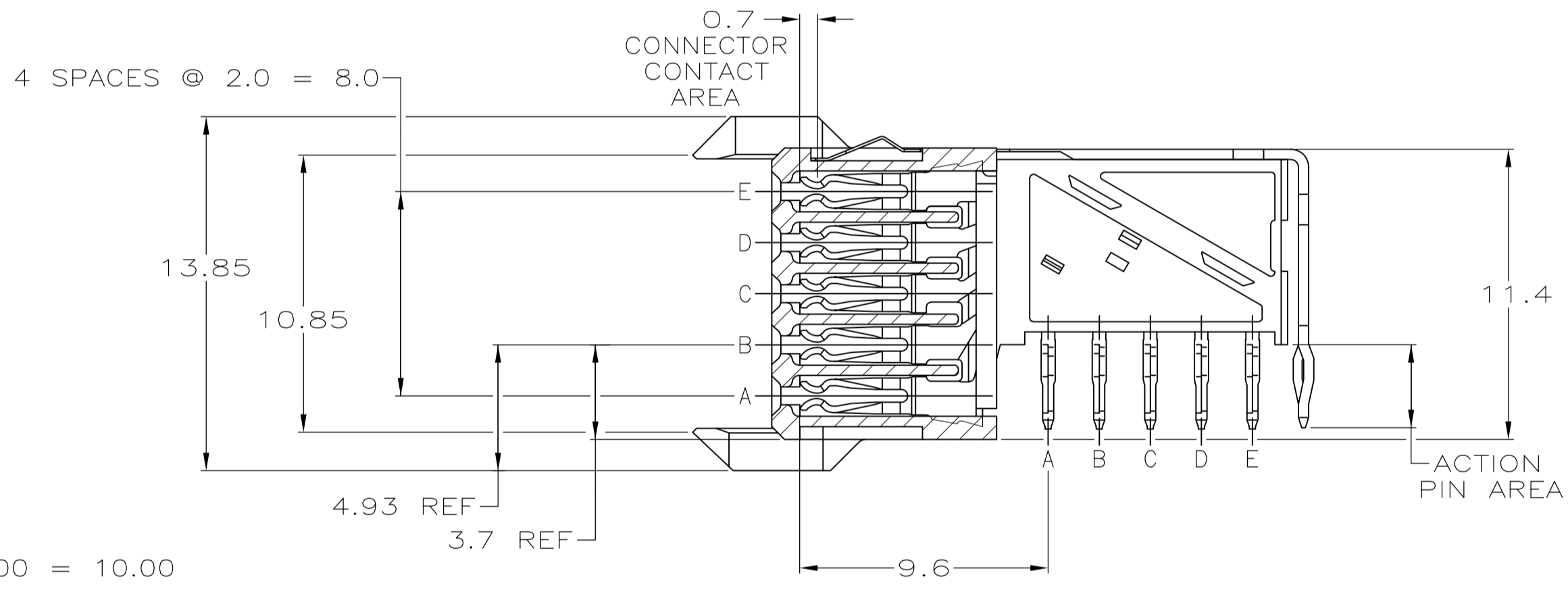
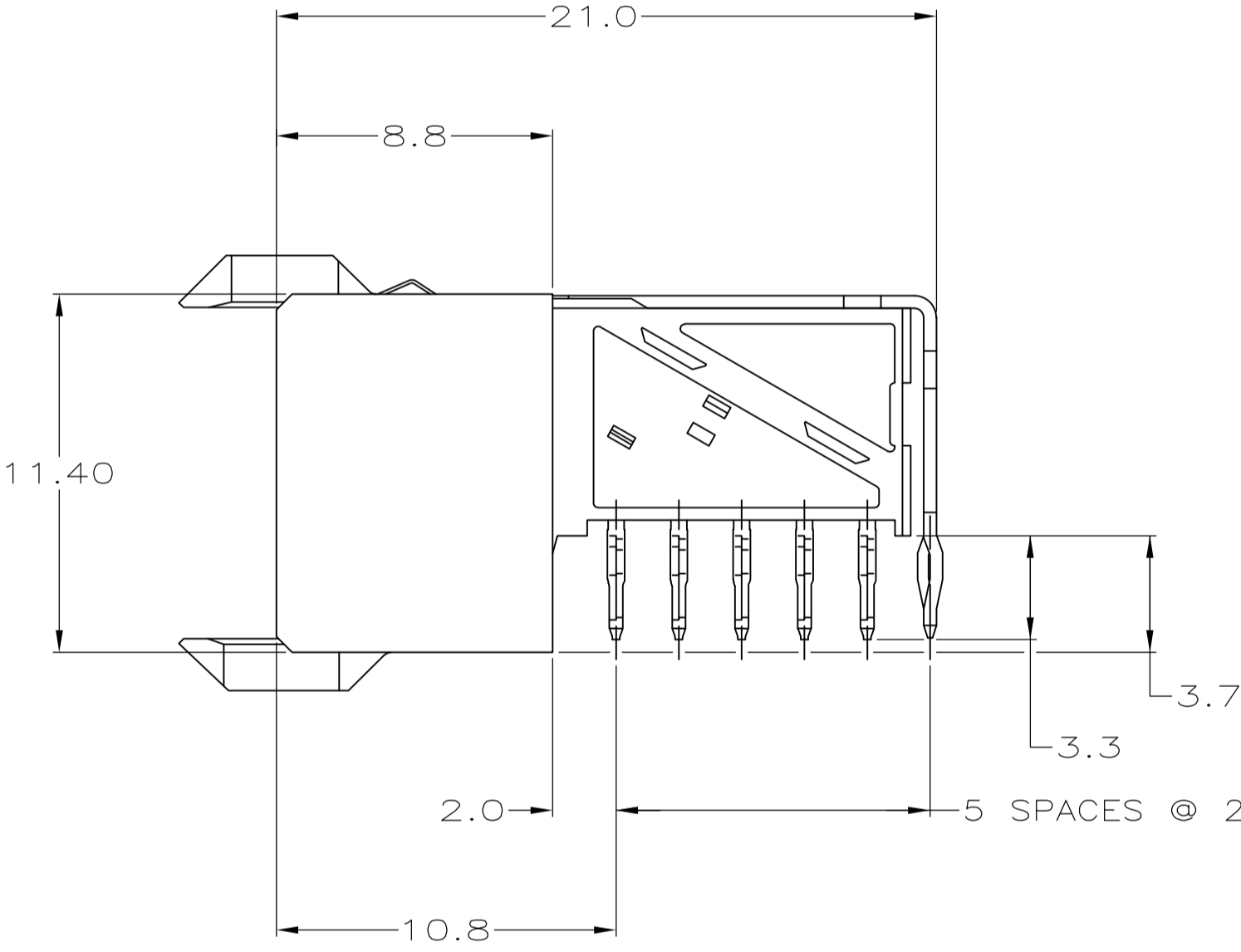
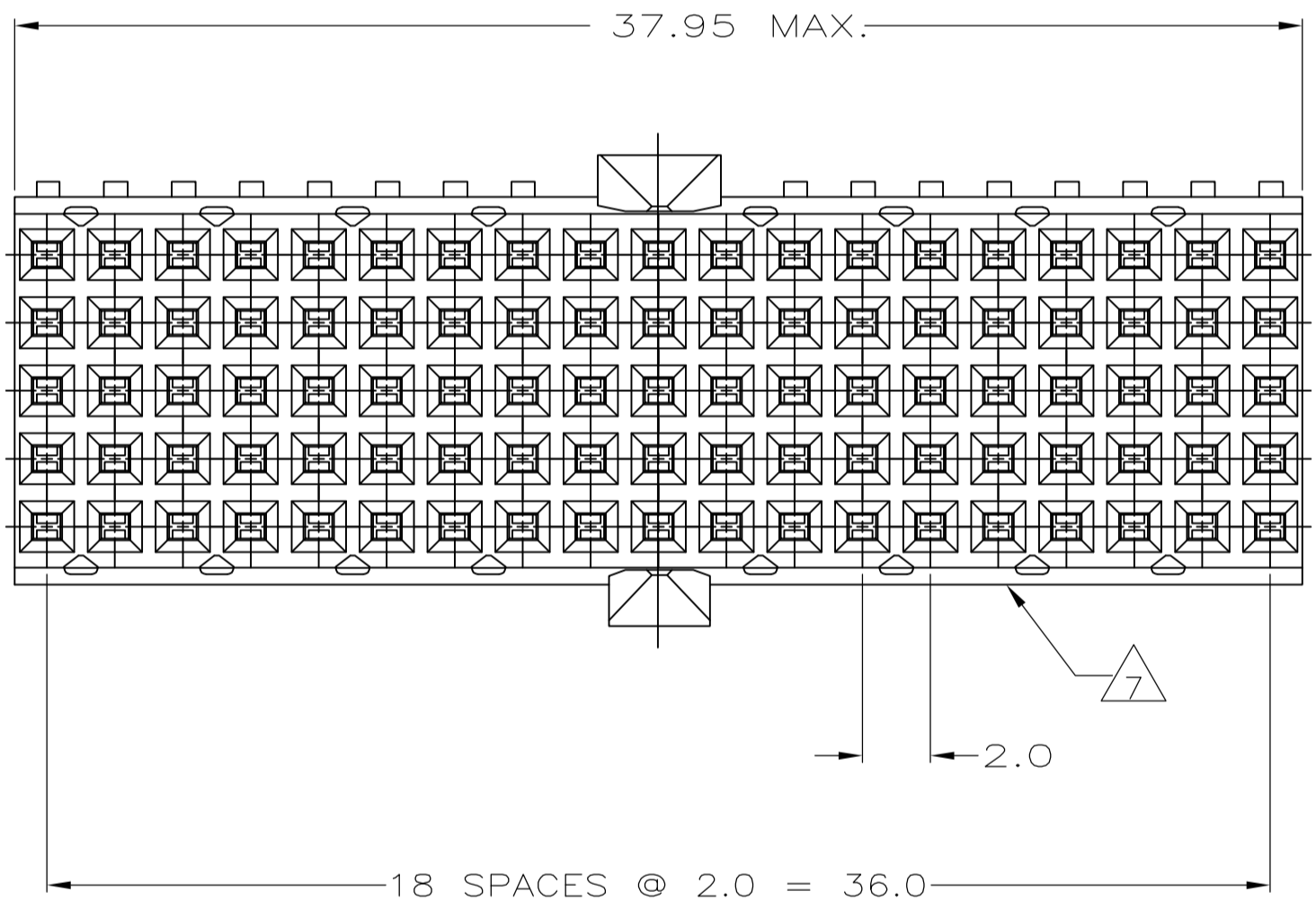
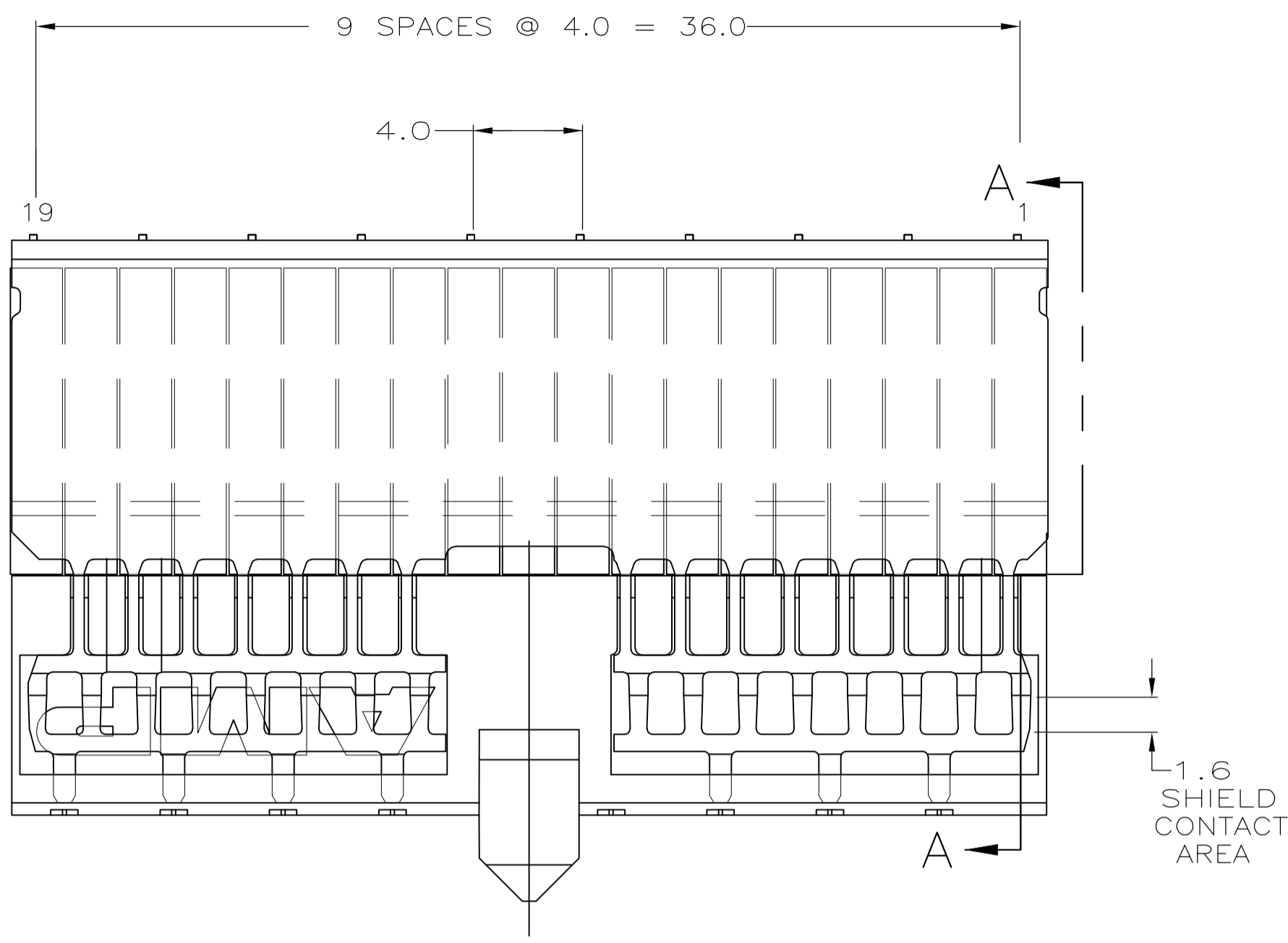


LOC		DIST		REVISIONS			
F	LTR	DESCRIPTION	DATE	DN	APVD		
D.3		REVISED PER ECO-10-001916	02FEB2010	JY	SY		
E		ECR-10-018652	10SEP10	SW	MQW		
F		ECO-11-024491	13DEC11	SY	MQW		
G		ECR-12-010544	05DEC12	SY	AC		



**RECOMMENDED PCB-HOLE LAYOUT  
 COMPONENT SIDE SHOWN**

SCALE 2.5:1

**PLATED THRU HOLES PARAMETERS**

REFERENCE APPLICATION SPECIFICATION

- 1 MATERIAL:  
 CONTACT: PHOSPHOR BRONZE.  
 HOUSING: GLASS-FILLED POLYESTER.
- 2 GENERAL PLATING SPECIFICATION: UNDERPLATING  
 (ENTIRE CONTACT): 1.27µm MIN NICKEL AND ACTION  
 PIN: 0.5µm MIN TIN/LEAD.  
 FOR PLATING OF MATING SURFACES SEE APPLICABLE  
 SPECIFICATION REFERENCE FOR EACH DASH NUMBER.
- 3 CONFORMS TO ALL TESTING ACCORDING TO IEC 61076-4-101  
 PERFORMANCE LEVEL 2.
- 4 CONFORMS TO ALL TESTING ACCORDING TO IEC 61076-4-101  
 PERFORMANCE LEVEL 1.
- 5 CONNECTOR TESTED AND QUALIFIED AGAINST TELCORDIA GR-1217-CORE QUALITY LEVEL 3,  
 CENTRAL OFFICE APPLICATIONS.
- 6 CONNECTOR TESTED AND QUALIFIED AGAINST TELCORDIA GR-1217-CORE QUALITY LEVEL 3,  
 UNCONTROLLED ENVIROMENT APPLICATIONS.
- 7 CONNECTOR MARKED WITH PART NUMBER AND DATE CODE.  
 ADDITIONAL CHARACTERS OR MARKINGS, AS WELL AS THE LOCATION OF THE MARKINGS,  
 MAY BE ADDED FOR TRACEABILITY BASED UPON MANUFACTURERS DISCRETION.
- 8 PLATED-THROUGH HOLES AT 2x2mm SQUARE GRID  
 PATTERN DEFINED BY CONTACT LAYOUT.
- 9 CONNECTOR LUBRICATED WITH TELCORDIA APPROVED LUBRICANT,  
 TECHNICAL REFERENCE: TR-NWT-001217 ISSUE 1, SEP 1992.
- 10 10 PLATED THROUGH HOLES FOR UPPER SHIELD, ROW F.
- 11. SHIELD MOUNTED TO CONNECTOR WITH DOUBLE SIDED ADHESIVE TAPE OR ADHESIVE.
- 12 OBSOLETE PARTS: OBSOLETE CIS STREAMLINING PER D.RENAUD/D.SINISI
- 13 0.76µm MIN GOLD PLATING AT MATING SURFACES.

FINISH	PART NUMBER
2 3 13	3-646488-0
2 6 9	1-646488-9
2 5 9	646488-9
2 4	646488-4
2 3	646488-1

THIS DRAWING IS A CONTROLLED DOCUMENT.

DIMENSIONS: mm	TOLERANCES UNLESS OTHERWISE SPECIFIED:	DIN B. CARDO 06DEC05	APVD G. SKIPPER 06DEC05	NAME	RECEPTACLE ASSEMBLY, Z-PACK 2mm HM, TYPE A/B, PRE-SHIELDED, 95 POSITION
0-PLG ±	1-PLG ±0.2	06DEC05	06DEC05	SIZE	A1
2-PLG ±0.02	3-PLG ±0.02			SCALE	5:1
4-PLG ±	ANGLES ±			WEIGHT	00779
				CUSTOMER DRAWING	646488

THIS DRAWING IS UNPUBLISHED. RELEASED FOR PUBLICATION. ALL RIGHTS RESERVED. BY TYCO ELECTRONICS CORPORATION.

Tyco Electronics Corporation  
 's-Hertogenbosch, Nederland

SCALE 5:1 SHEET 1 OF 1 REV G