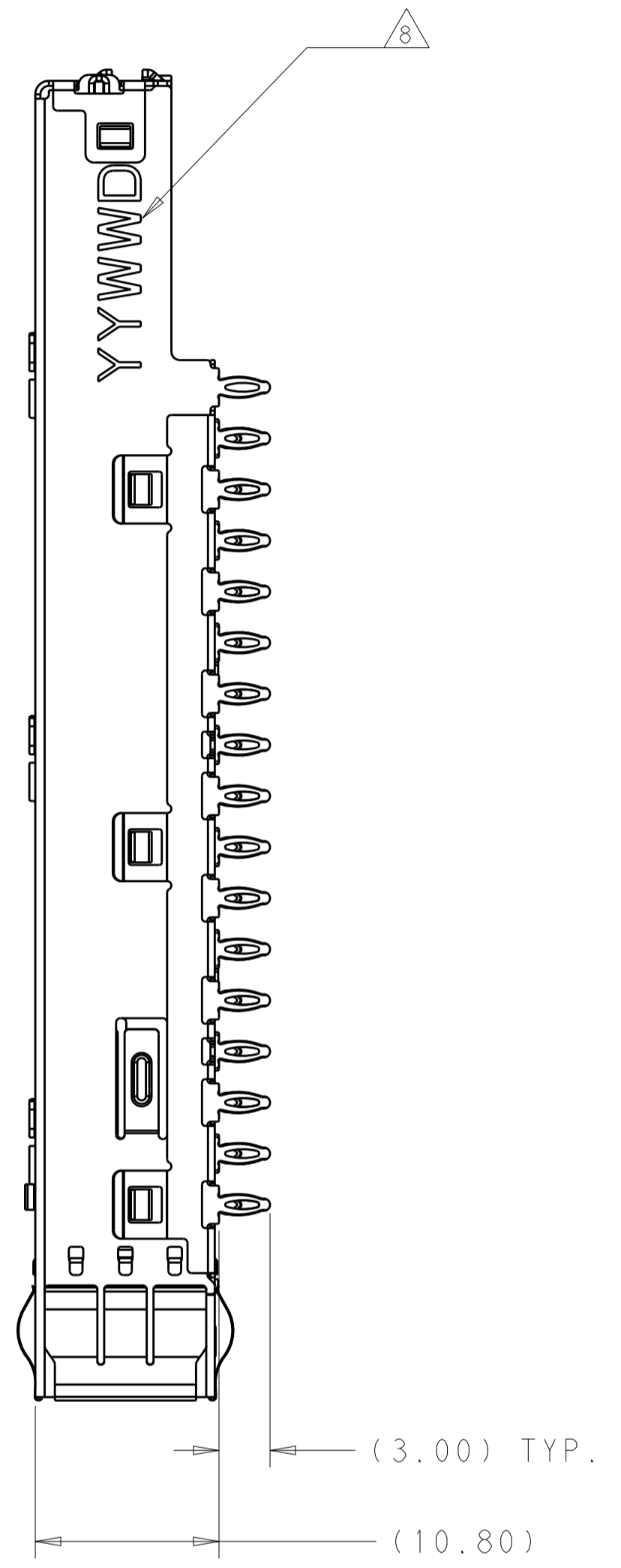
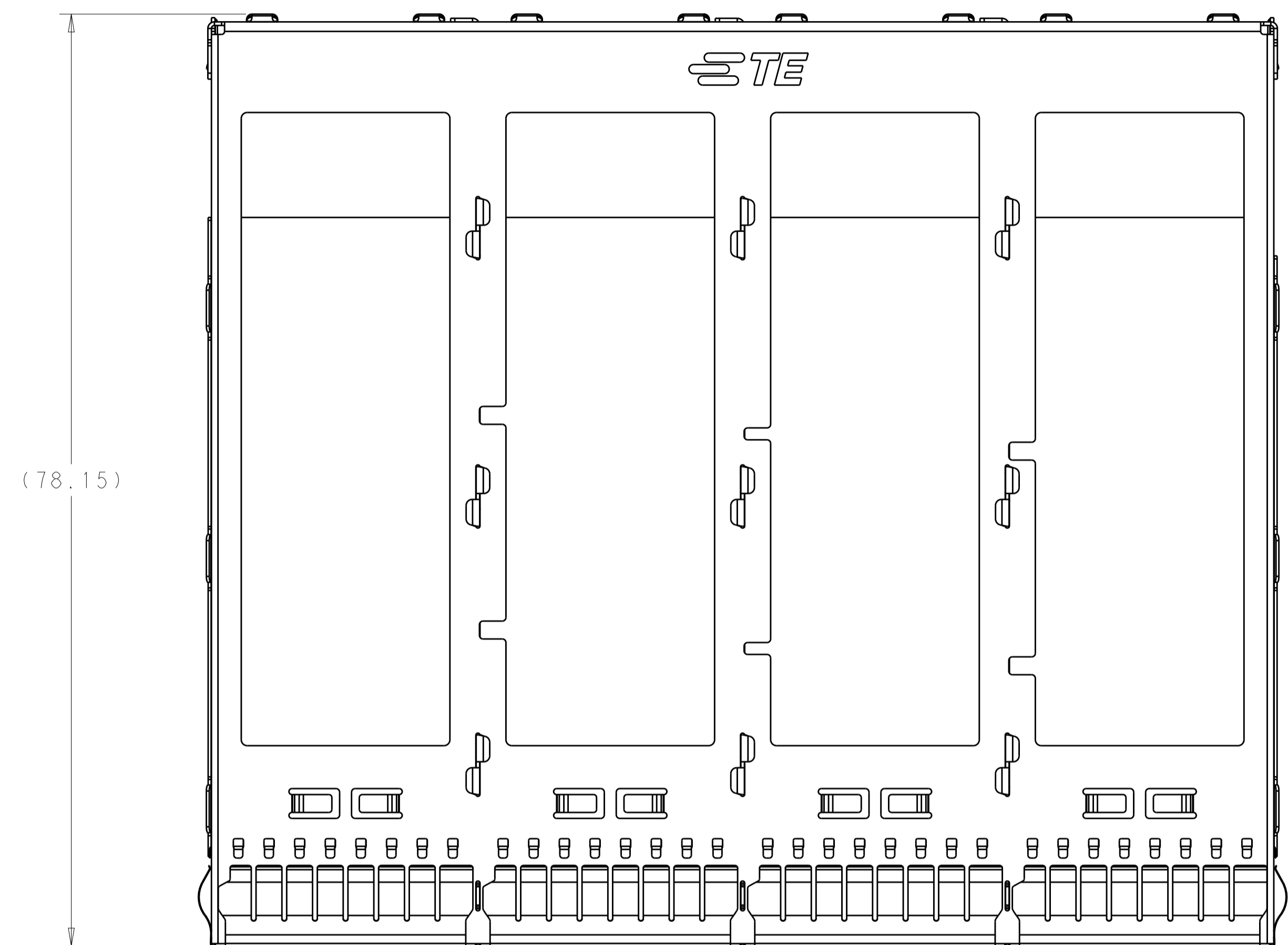
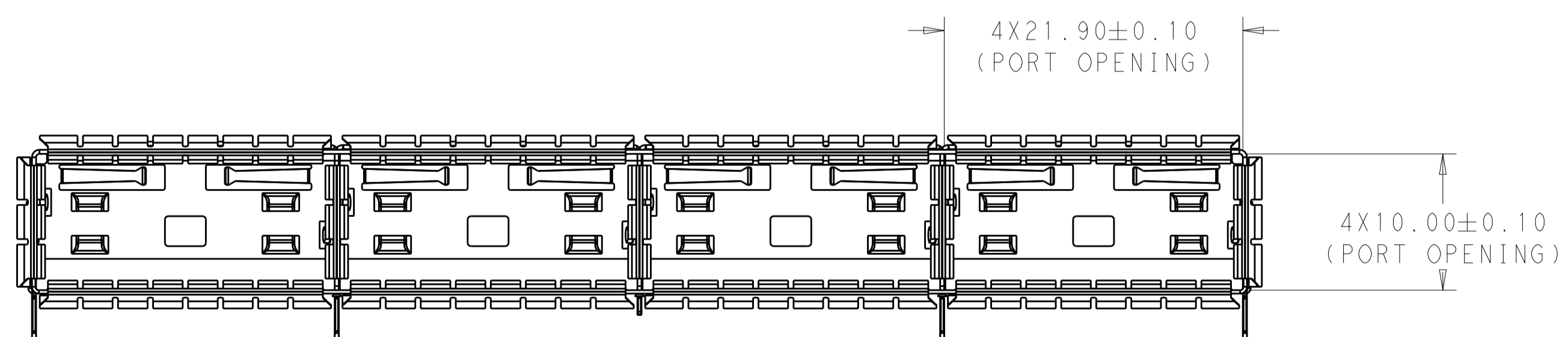


LOC	DIST	REVISIONS			
P	LTN	DESCRIPTION	DATE	DWN	APVD
1		PROPOSED	18DEC2014	CW	SH
3		UPDATE PCB HOLES AND BOTTOM EMI SPRING	24MAR2015	JW	SH
4		REVISE DRAWING	25MAY2015	AD	SH



- △ 1 CAGE- 0.3MM THICK NICKEL SILVER ALLOY;
EMI SPRING- COPPER ALLOY;
- △ 2 FINISH:
EMI SPRING- 1.27um NICKEL PALTING OVER ALL;
- 3 MATES WITH CFP MSA COMPLIANT TRANSCEIVERS.
- △ 4 DATUM AND BASIC DIMENSION ESTABLISHED BY CUSTOMER.
- 5 MINIMUM PC BOARD THICKNESS: SIGLE SIDE APPLICATIONS=3.0±0.10mm.
BELLY TO BELLY APPLICATIONS=3.0mm MIN.
- △ 6 PADS AND VIAS CHASSIS GROUND;
- △ 7 REFERENCE APPLICATION SPEC 114-XXXX, HOLE A, FOR
RECOMMENDED DRILL HOLE DIAMETER AND PLATING THICKNESS.
- △ 8 DATE CODE MAKED IN APPROXIMATE AREA

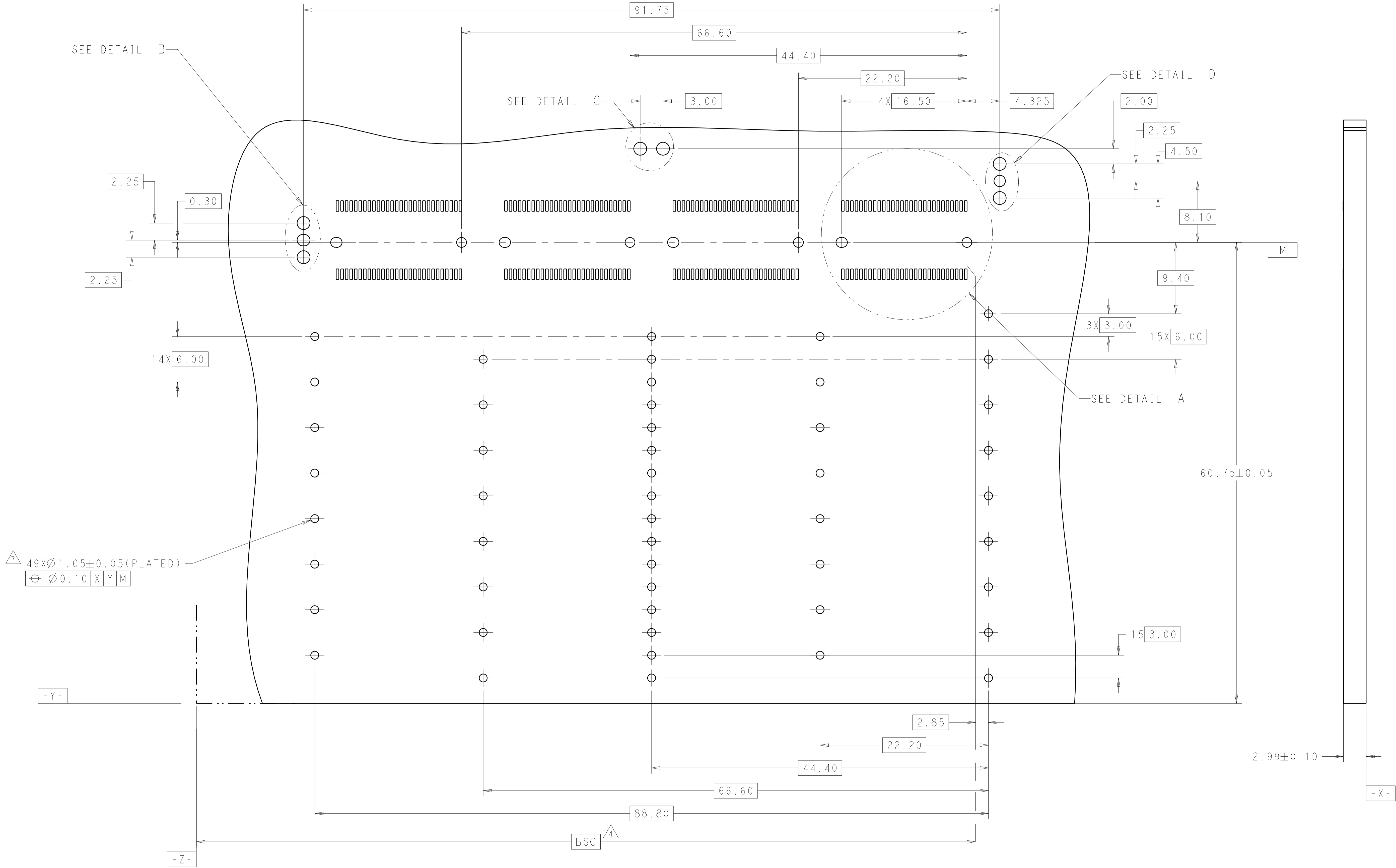


THIS PRINT IS
PRELIMINARY
UNQUALIFIED PRODUCT
CONTACT PRODUCT ENGINEERING
BEFORE USING THIS PRINT

2289496-2
PART NUMBER

THIS DRAWING IS A CONTROLLED DOCUMENT.		DWN: CHARLES WAN 17DEC2014		PRELIMINARY
DIMENSIONS: mm		CHK: SEAN HAN 17DEC2014		
TOLERANCES UNLESS OTHERWISE SPECIFIED:		APVD: -		
0 PLC ± 1 PLC ±0.25 2 PLC ±0.15 3 PLC ±0.10 4 PLC ± ANGLES ± FINISH ±		PRODUCT SPEC - APPLICATION SPEC - SIZE: CAGE CODE DRAWING NO: A100779C=2289496 RESTRICTED TO: -		
MATERIAL: -		WEIGHT: -	Customer Drawing SCALE: 4:1 SHEET 1 OF 5 REV 4	

LOC	DIST	REVISIONS			
P	LTN	DESCRIPTION	DATE	DWN	APVD
-	-	SEE SHEET 1	-	-	-



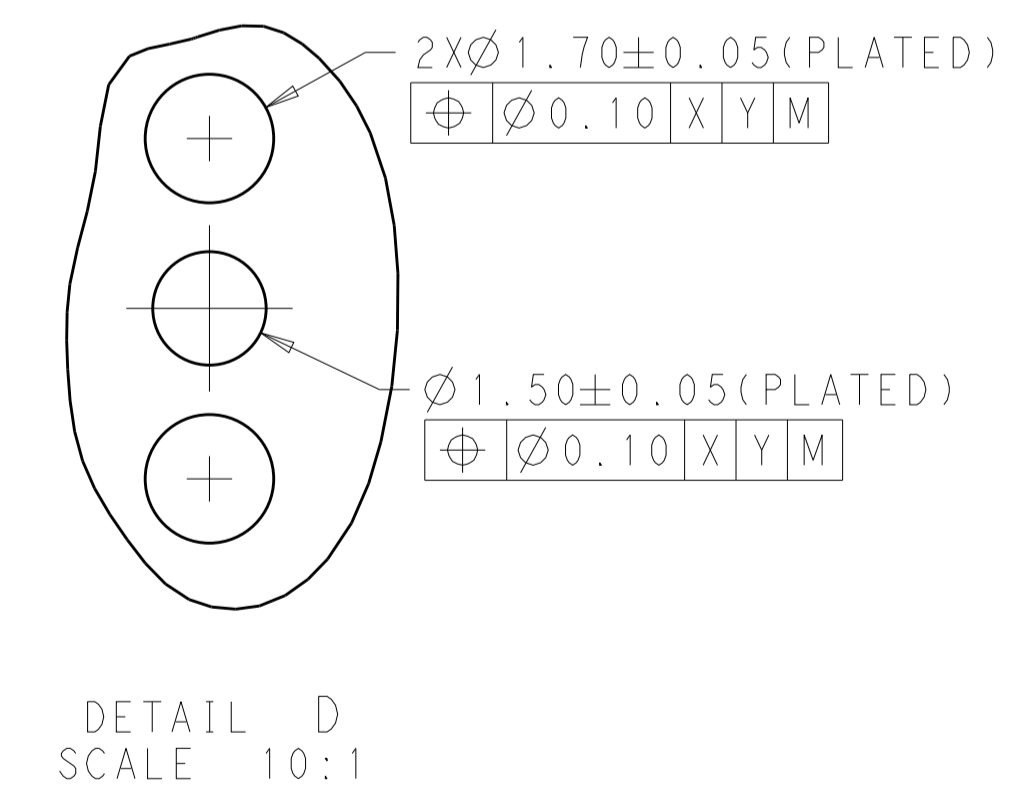
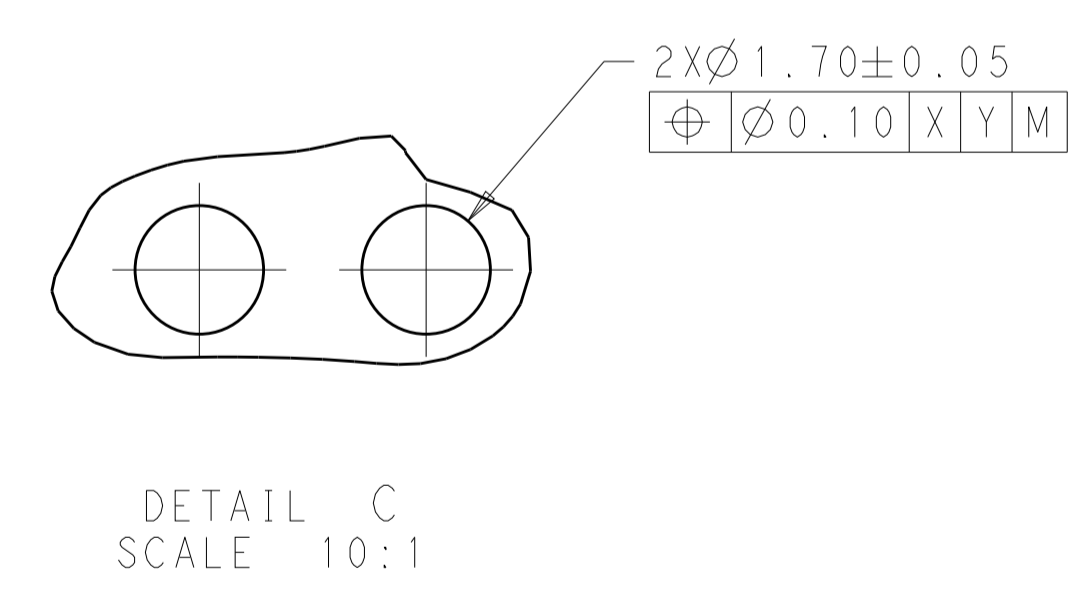
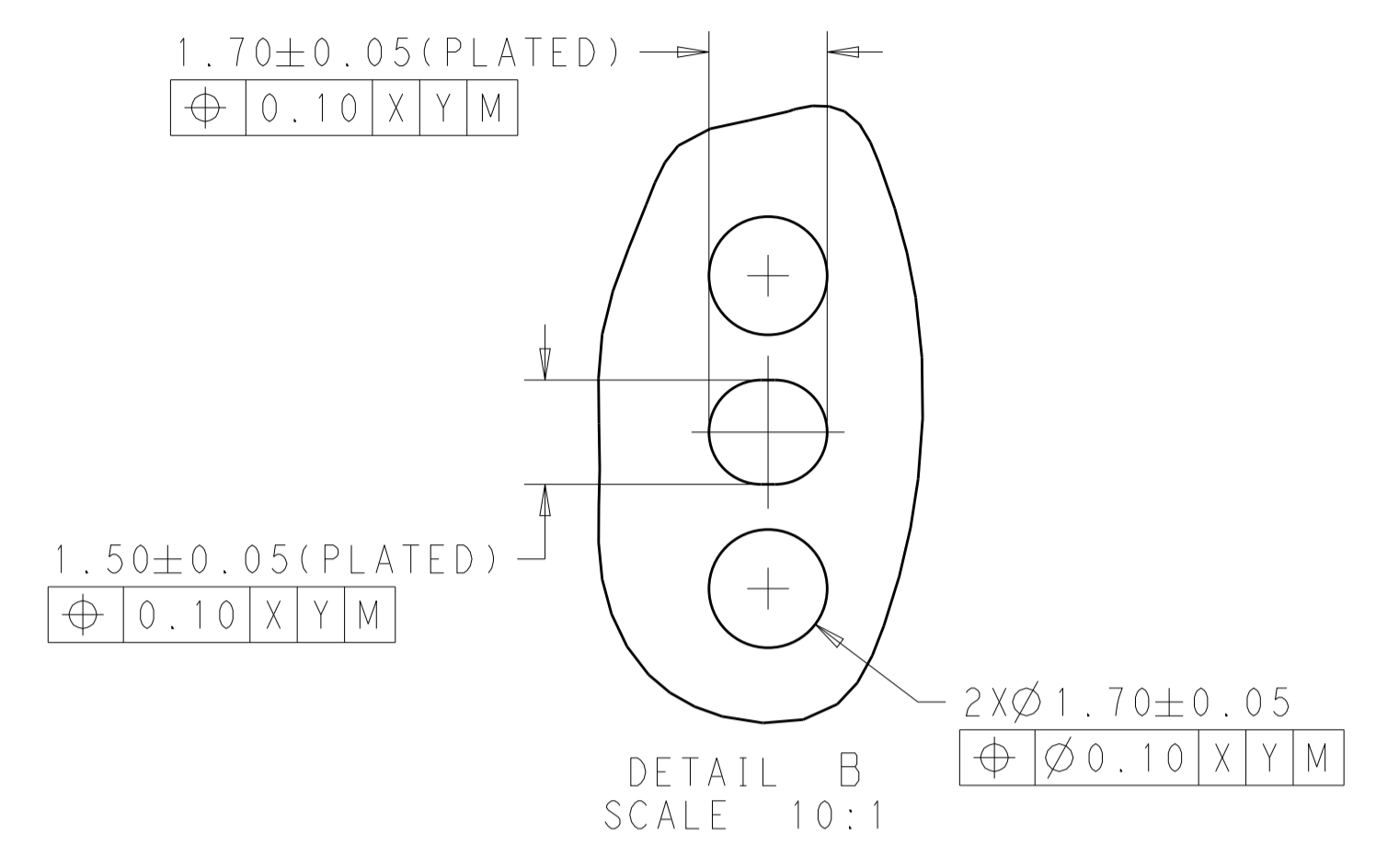
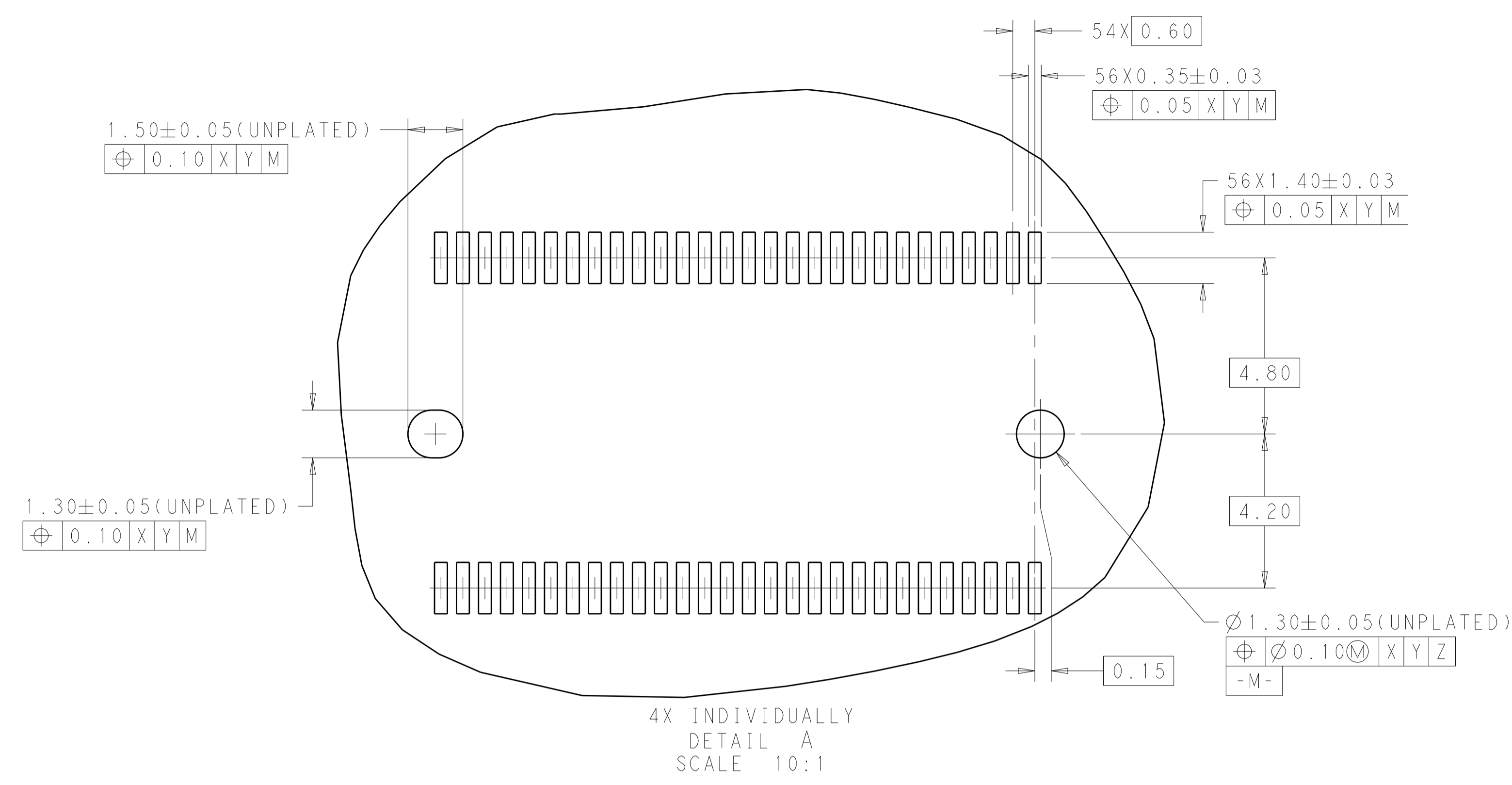
49xØ1.05±0.05(PLATED)
 Ø0.10 X Y M

RECOMMENDED PCB LAYOUT
 SINGLE SIDED APPLICATION
 SCALE 4:1

THIS PRINT IS
PRELIMINARY
 UNQUALIFIED PRODUCT
 CONTACT PRODUCT ENGINEERING
 BEFORE USING THIS PRINT

THIS DRAWING IS A CONTROLLED DOCUMENT.		DWN: CHARLES WAN 17DEC2014	TE Connectivity
DIMENSIONS: mm		CHK: SEAN HAN 17DEC2014	
TOLERANCES UNLESS OTHERWISE SPECIFIED:		APVD: -	NAME: CFP4 1x4 HARDWARE ASSEMBLY
0 PLC	±	PRODUCT SPEC	SIZE: A1
1 PLC	±0.25	APPLICATION SPEC	CAGE CODE: 2289496
2 PLC	±0.15	RESTRICTED TO	SCALE: 1:1
3 PLC	±0.10	Customer Drawing	SHEET 2 OF 5
4 PLC	±		REV 4
ANGLES	±		
MATERIAL	FINISH		

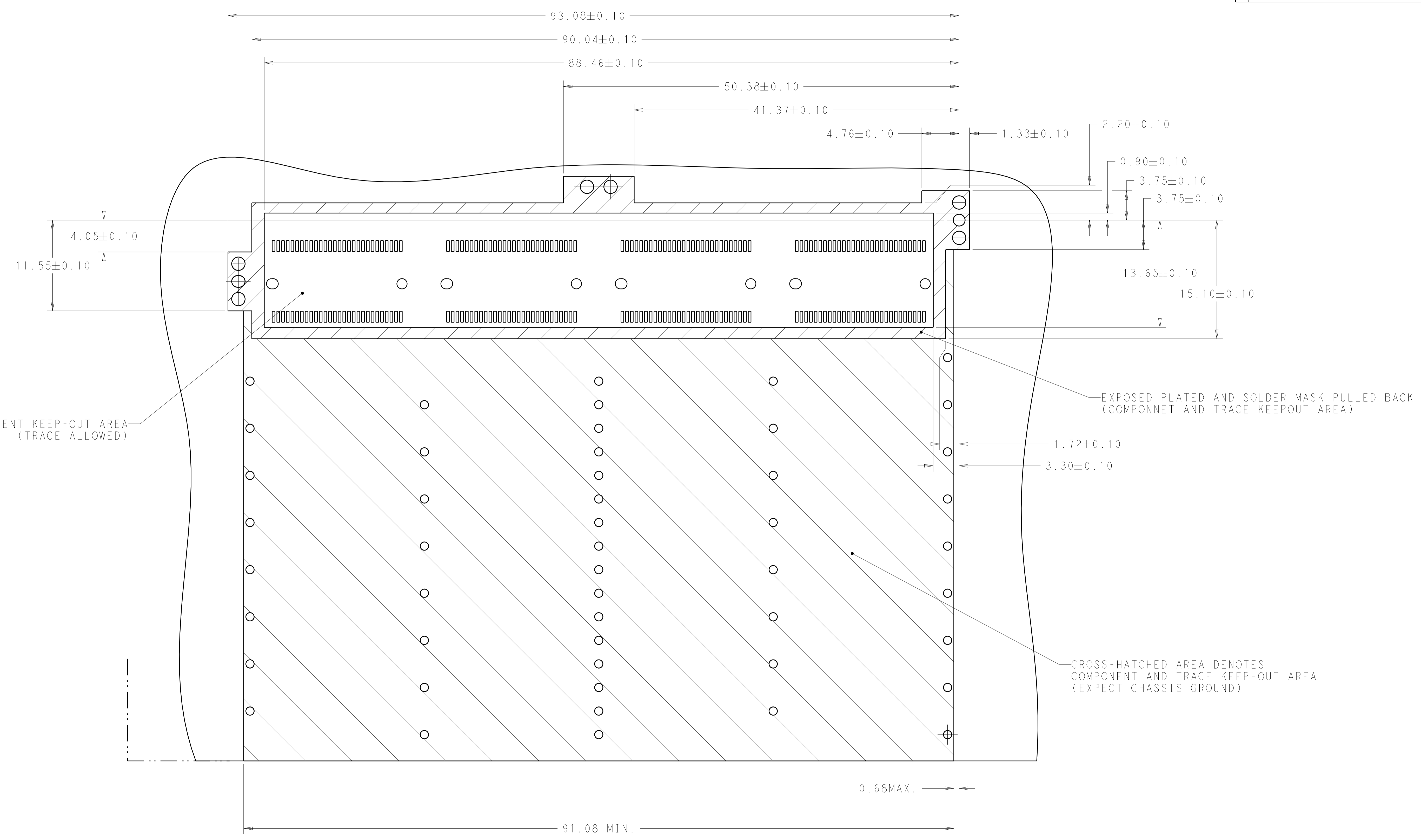
LOC	DIST	REVISIONS			
P	LTN	DESCRIPTION	DATE	DWN	APVD
-	-	SEE SHEET 1	-	-	-



DESIGN APPROVED THIS PRINT IS
PRELIMINARY
 TO FIRST PIECE APPROVAL
 CONTACT PRODUCT ENGINEERING
 BEFORE USING THIS PRINT

THIS DRAWING IS A CONTROLLED DOCUMENT.		DWN: CHARLES WAN 17DEC2014	TE Connectivity
DIMENSIONS: mm		CHK: SEAN HAN 17DEC2014	
TOLERANCES UNLESS OTHERWISE SPECIFIED: 0 PLC ±. 1 PLC ±0.25 2 PLC ±0.15 3 PLC ±0.10 4 PLC ±. ANGLES ±.		APVD: -	NAME: CFP4 1x4 HARDWARE ASSEMBLY
MATERIAL: -		FINISH: -	RESTRICTED TO: -
Customer Drawing		SCALE: 1:1	SIZE: A1 CAGE CODE: 00779 DRAWING NO: C=2289496 SHEET 3 OF 5 REV 4

LOC		DIST		REVISIONS			
GP	00	P	LTN	DESCRIPTION	DATE	DMN	APVD
-	-	-	-	SEE SHEET 1	-	-	-

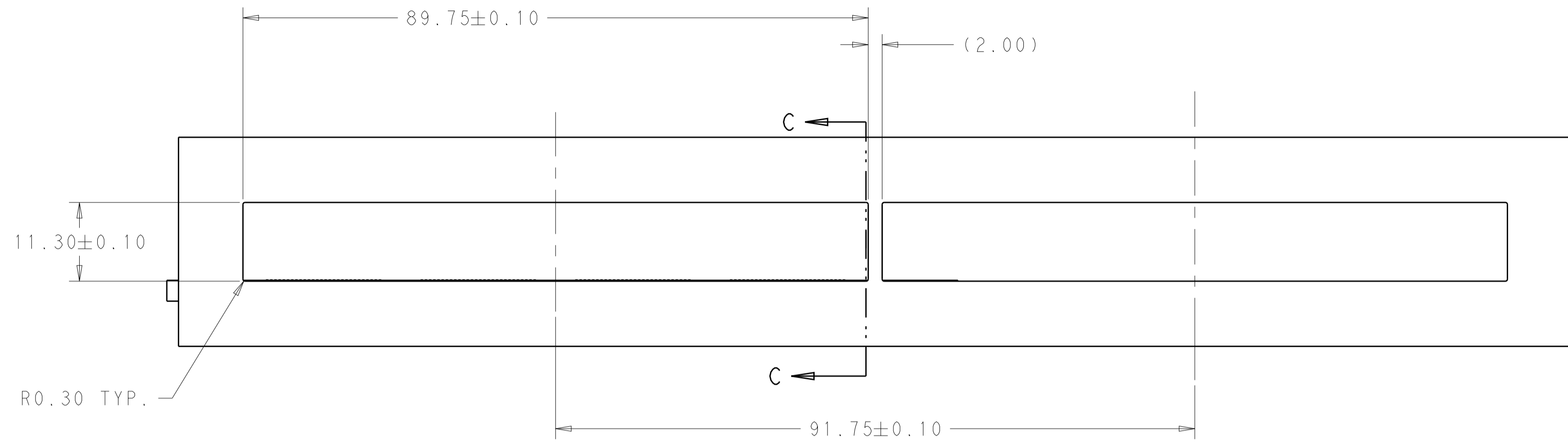


SCALE 4:1

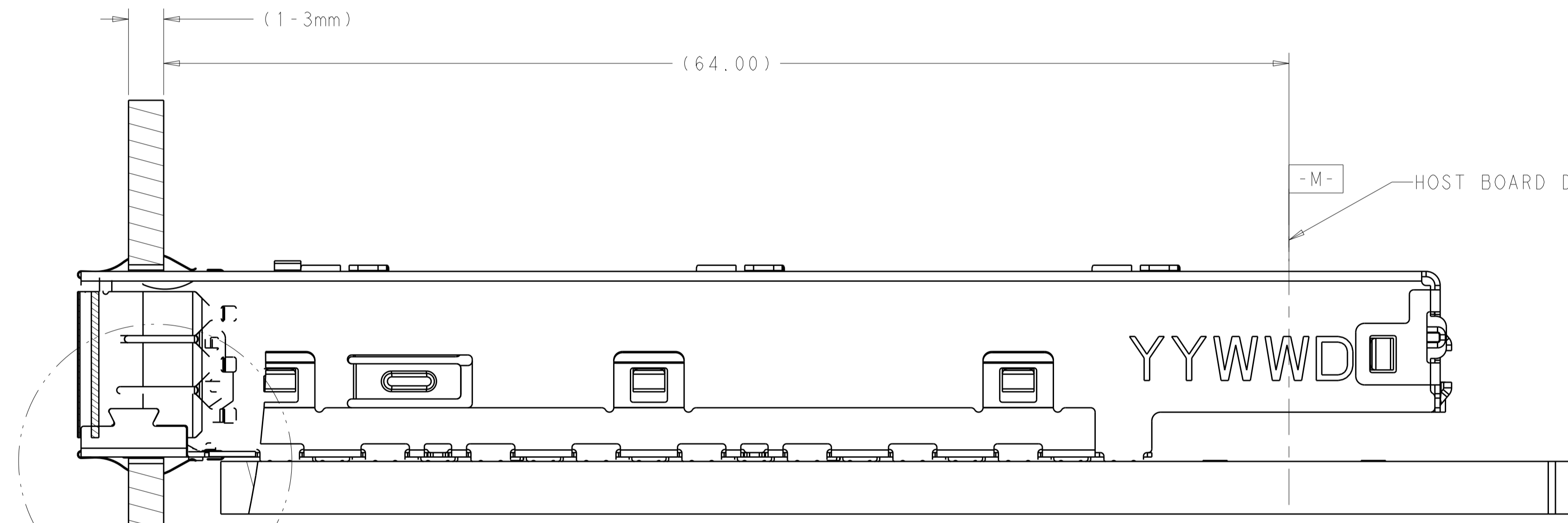
DESIGN APPROVED THIS PRINT IS
PRELIMINARY
 TO FIRST PIECE APPROVAL
 CONTACT PRODUCT ENGINEERING
 BEFORE USING THIS PRINT

THIS DRAWING IS A CONTROLLED DOCUMENT.		DMN	CHARLES WAN	17DEC2014	TE Connectivity		
DIMENSIONS:		CHK	SEAN HAN	17DEC2014			
mm	0 PLC ±0.25	APVD	-	-	NAME	CFP4 1x4 HARDWARE ASSEMBLY	
	1 PLC ±0.15	PRODUCT SPEC	-	-	APPLICATION SPEC	-	
	2 PLC ±0.10	APPLIC. SPEC	-	-	RESTRICTED TO	-	
MATERIAL	3 PLC ±0.10	WEIGHT	-	-	SIZE	A100779C=2289496	
FINISH	4 PLC ±0.10	Customer Drawing	-	-	SCALE	1:1	
ANGLES	±	SCALE	1:1	SHEET	4	OF	5
		REV					

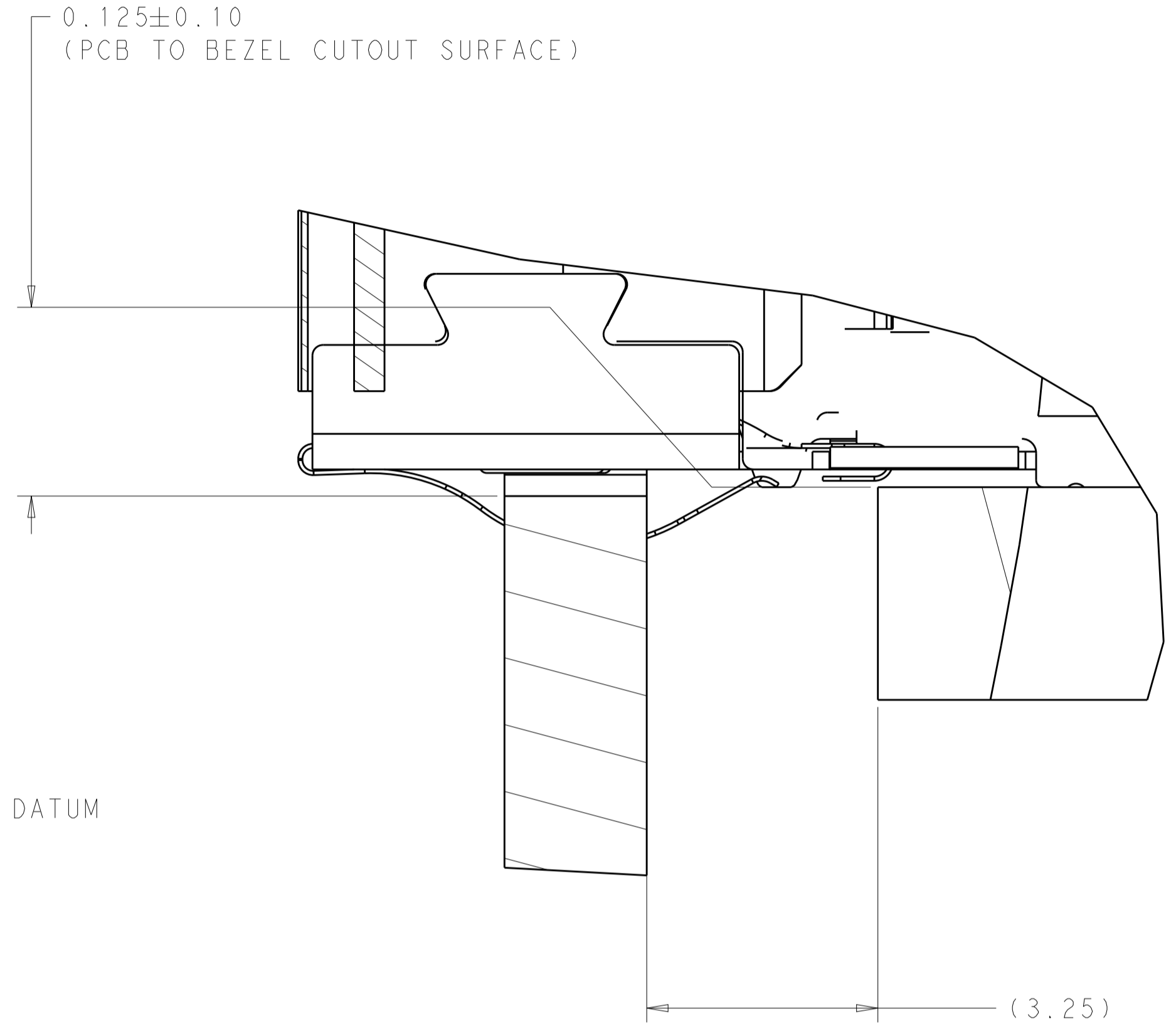
LOC		DIST		REVISIONS			
P	LTN	DESCRIPTION	DATE	DMN	APVD		
-	-	SEE SHEET 1	-	-	-		



SCALE 2:1



SECTION C-C
SCALE 5:1



DETAIL E
SCALE 15:1

SEE DETAIL E

DESIGN APPROVED THIS PRINT IS
PRELIMINARY
 TO FIRST PIECE APPROVAL
 CONTACT PRODUCT ENGINEERING
 BEFORE USING THIS PRINT

THIS DRAWING IS A CONTROLLED DOCUMENT.		OWN: CHARLES WAN 17DEC2014	TE Connectivity
		CHK: SEAN HAN 17DEC2014	
DIMENSIONS:		APVD: -	NAME: CFP4 1x4 HARDWARE ASSEMBLY
mm	0 PLC ±	PRODUCT SPEC	
	1 PLC ±0.25	APPLICATION SPEC	
	2 PLC ±0.15		
	3 PLC ±0.10		
	4 PLC ±		
	ANGLES ±		
MATERIAL	FINISH	WEIGHT	SIZE: A100779 C=2289496
		Customer Drawing	RESTRICTED TO
		SCALE: 1:1	SHEET 5 OF 5 REV 4