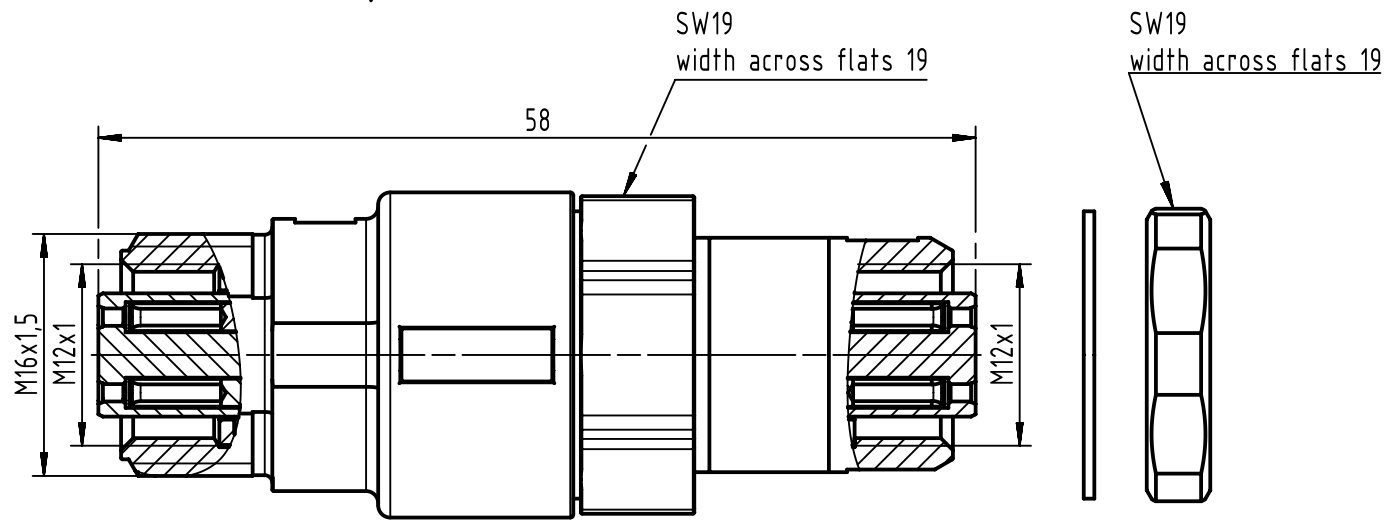
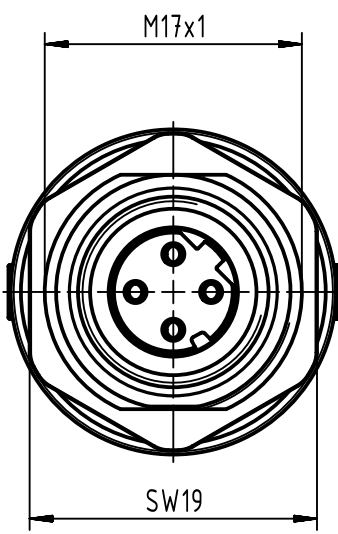
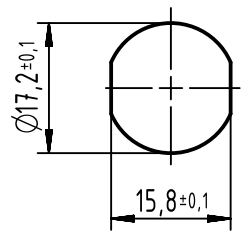


1 2 3 4 5 6

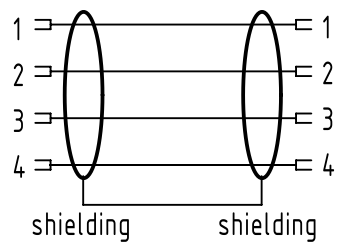
without flat seal and nut



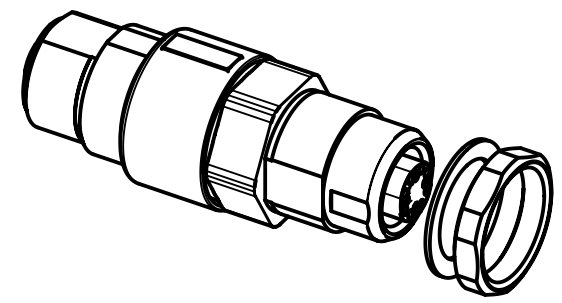
Panel cut out
(1:1)



schematic diagram



(1:1)



	All Dimensions in mm Original Size DIN A4	Scale	Free size tol.		Ref.	
		2:1			Sub.	
	All rights reserved Department EC PD - RO	Created by	Inspected by	Standardisation	Date	State
		STOICA	AVRAM	HOFFMANN	2015-11-25	Final Release
HARTING Electronics GmbH D-32339 Espelkamp		Title M12 D-Coded gender changer			Doc-Key / ECM-Nr. 100516695/UGD/015/C 500000095942	
		Type	Number		Rev.	Page
		TB	21033816401		C	1/1