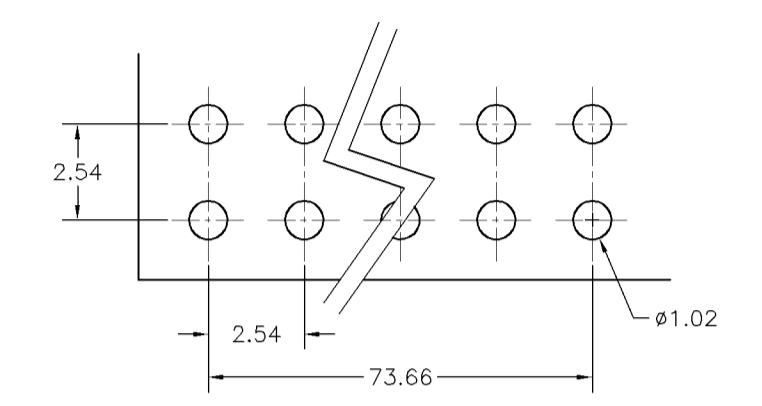
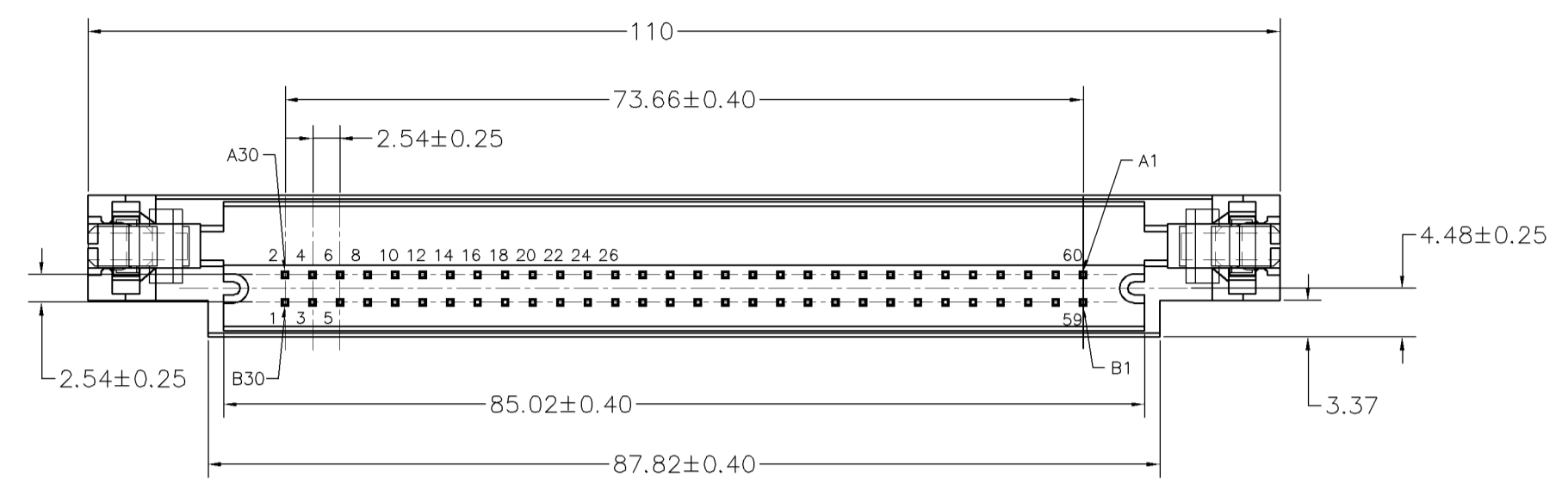
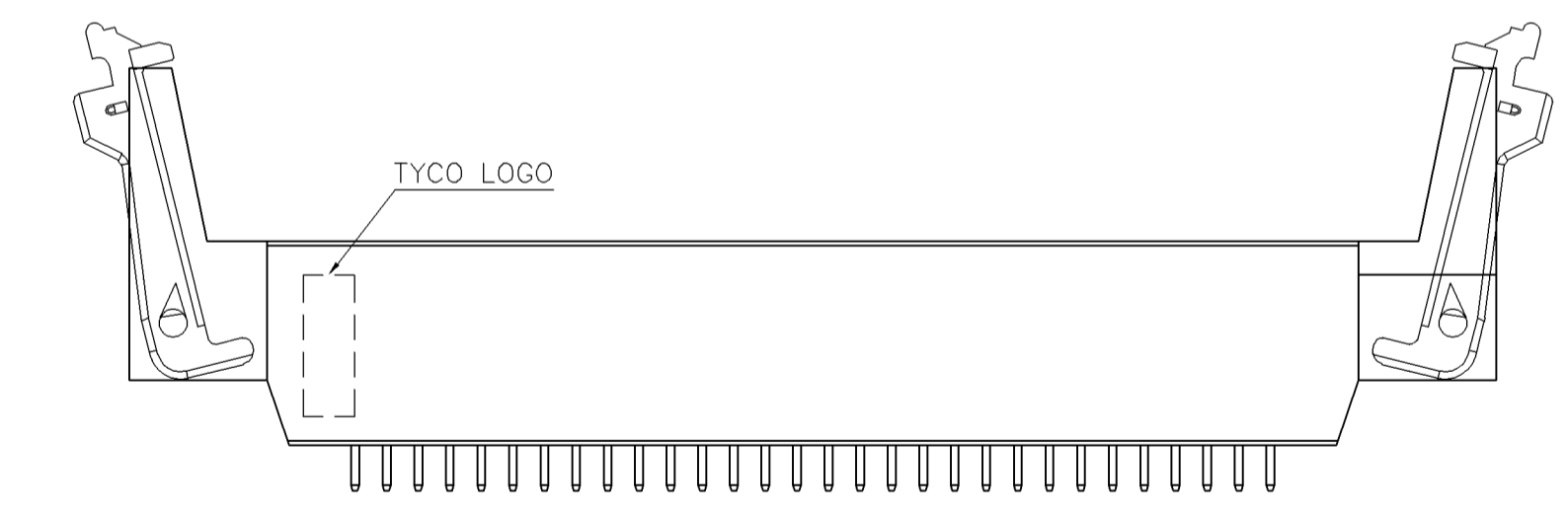
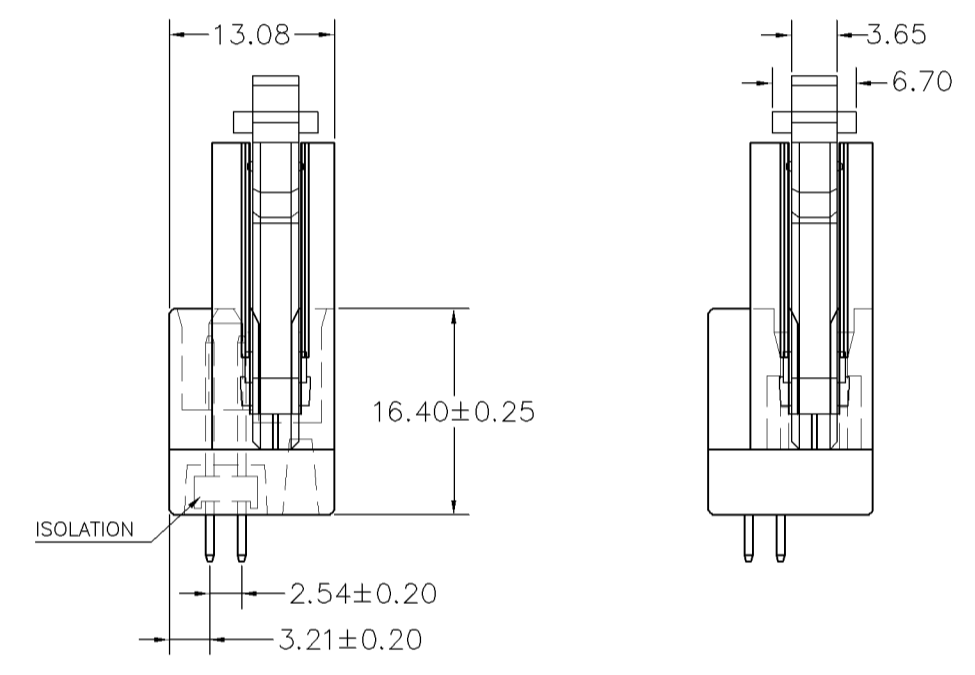
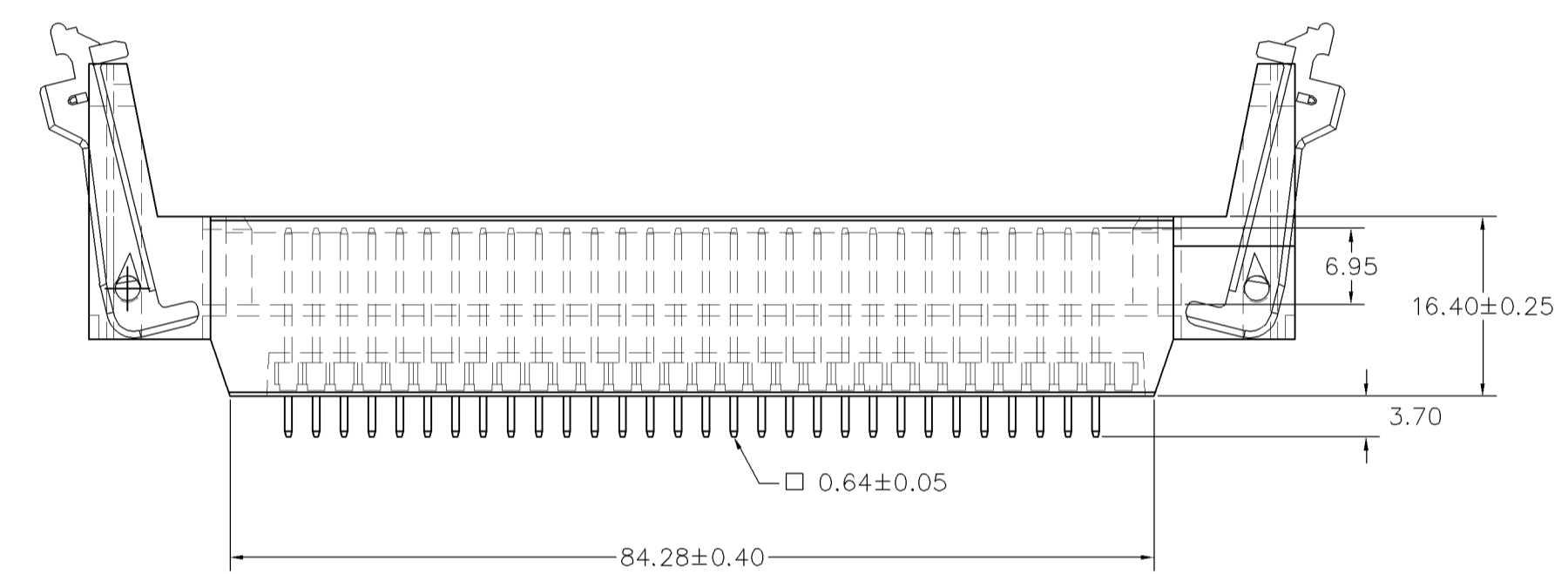


THIS DRAWING IS UNPUBLISHED. RELEASED FOR PUBLICATION
 © COPYRIGHT BY TYCO ELECTRONICS CORPORATION. ALL RIGHTS RESERVED.

LOC	DIST	REVISIONS					
DW	—	P	LTR	DESCRIPTION	DATE	DWN	APVD
			A	RELEASED	10FEB2007	OH	WK



RECOMMENDED PCB LAYOUT



- NOTE:
- MATERIAL:
 HOUSING: PA6T, UL 94V-0, BLACK COLOR.
 LATCH: PA6T, UL 94V-0, BLACK COLOR.
 ISOLATION OF PIN: PA9T, UL 94V-0, BLACK COLOR
 CONTACTS: BRASS.
 - FINISH:
 CONTACTS: 0.381µm [15µ"] MIN. GOLD PLATED ON CONTACT AREA,
 2.54µm [100µ"] MIN. BRIGHT TIN ON SOLDER TAILS, WITH
 ENTIRE CONTACT UNDERPLATED 1.27µm [50µ"] MIN. NICKEL.
 - WAVE SOLDER CAPABLE TO 265°C PER TYCO TEST SPEC.
 109-202, CONDITION B.
 - SPECIFICATIONS:
 CURRENT RATING: 3 AMPS.
 INSULATOR RESISTANCE: 5000 MIN. MEGOHMS.
 DIELECTRIC WITHSTANDING: AC 500 V.
 OPERATING TEMPERATURE: -40°C ~ +105°C.

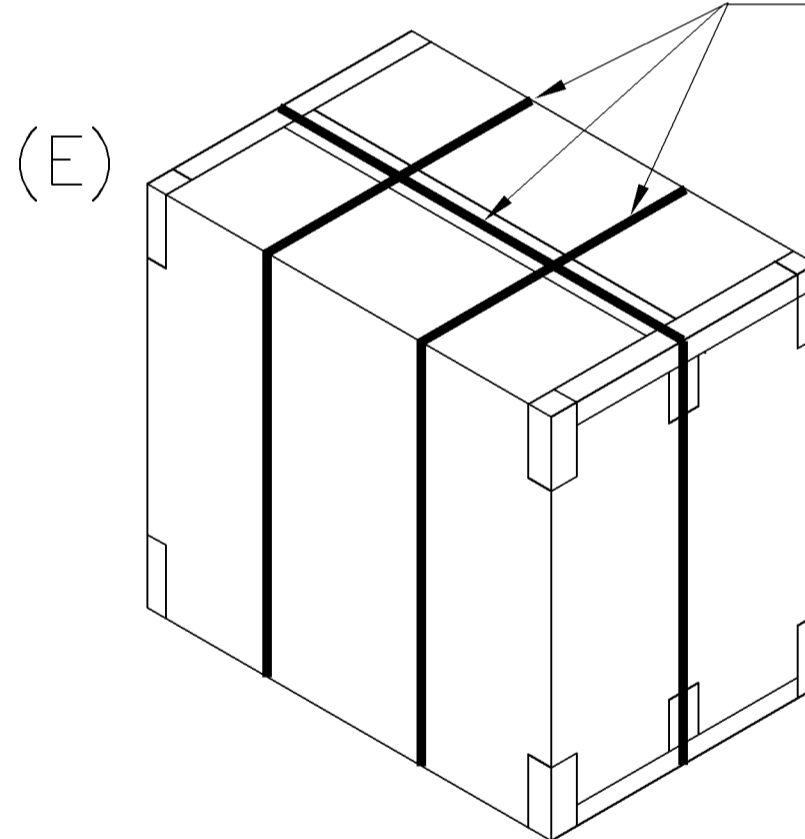
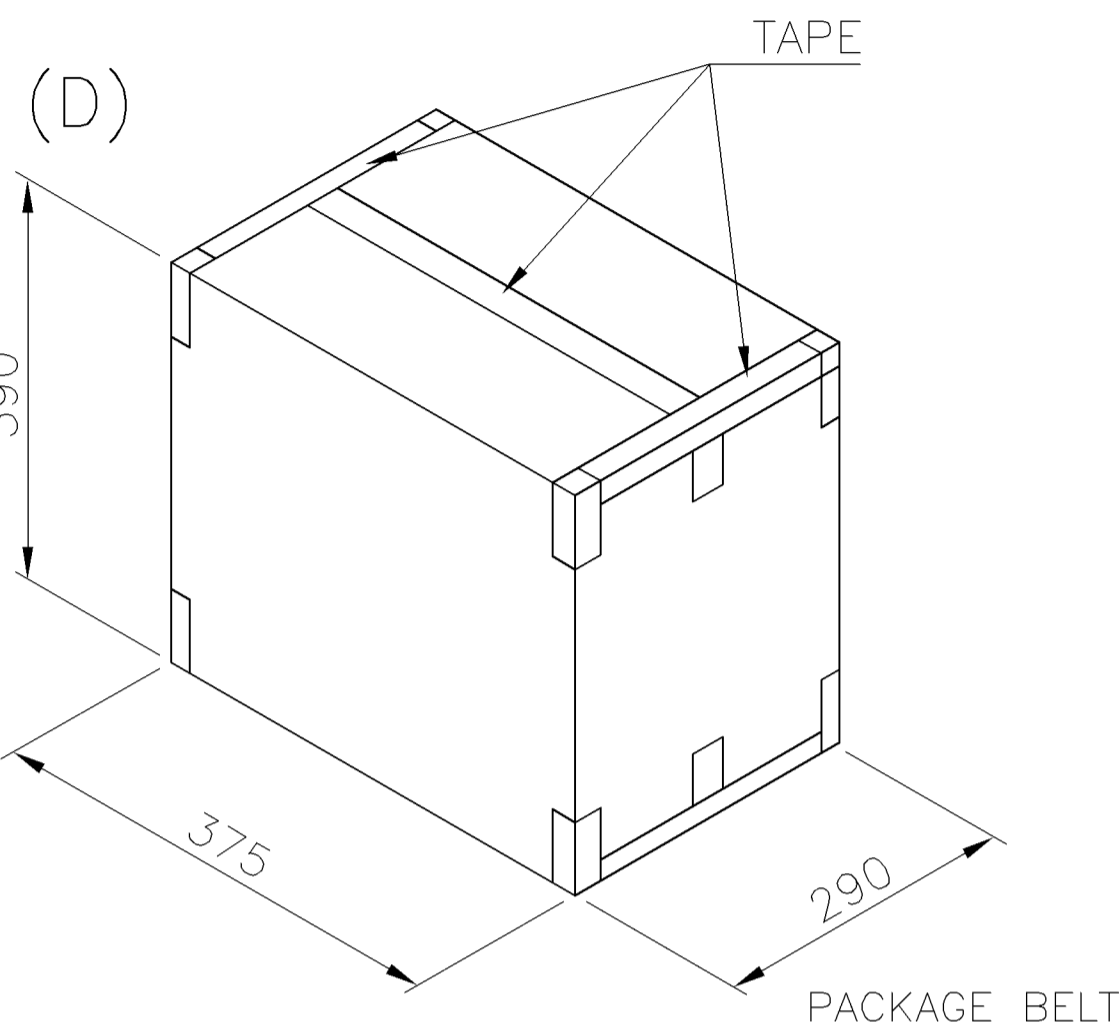
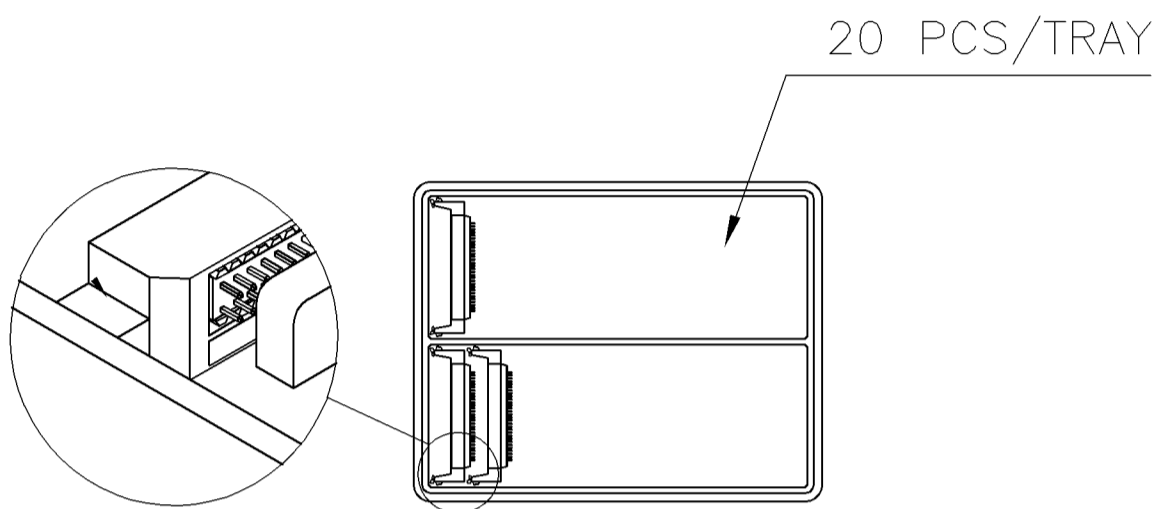
A23	16	1775616-3
A21	20	1775616-2
A19	24	1775616-1
SGI ID FOR OMITTED PIN	CIRCUITY CAVITY ID FOR OMITTED PIN	PART NUMBER

THIS DRAWING IS A CONTROLLED DOCUMENT.		DWN O. HU	08FEB2007	tyco Electronics	Tyco Holdings (Bermuda) VII Ltd. Taiwan Branch		
DIMENSIONS: MM		CHK S. HOU	08FEB2007		NAME		
TOLERANCES UNLESS OTHERWISE SPECIFIED:		APVD W.J. KE	08FEB2007	PRODUCT SPEC			
0 PLC ± 0.50		QUALIFICATION TEST REPORT		VRM HEADER			
1 PLC ± 0.40		---		SIZE	CAGE CODE	DRAWING NO	RESTRICTED TO
2 PLC ± 0.30		---		A300779			---
3 PLC ±		---		C=1775616			---
4 PLC ±		---		CUSTOMER DRAWING			---
ANGLES ±		---		SCALE	SHEET	REV	---
FINISH		---		1 OF 2			A
SEE NOTE		---		1775616			---

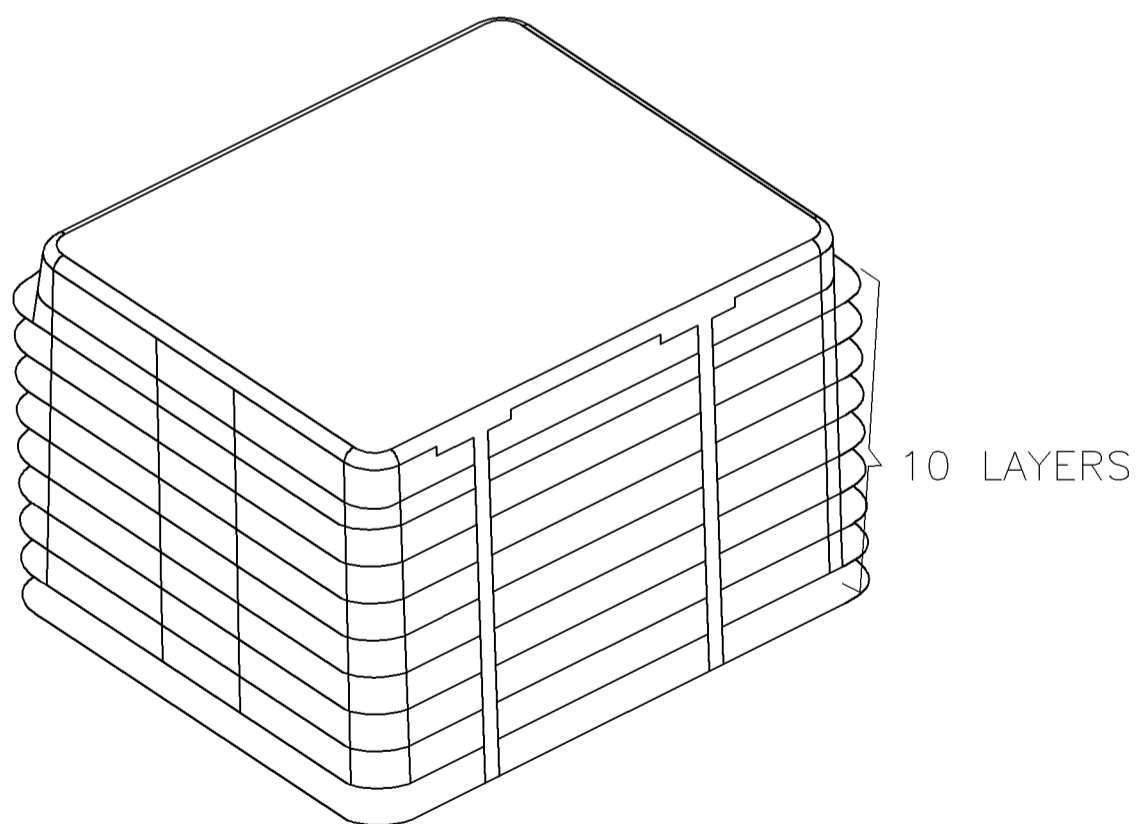
THIS DRAWING IS UNPUBLISHED. RELEASED FOR PUBLICATION
 © COPYRIGHT BY TYCO ELECTRONICS CORPORATION. ALL RIGHTS RESERVED.

LOC	DIST	REVISIONS			
P	LTR	DESCRIPTION	DATE	DWN	APVD
		SEE SHEET 1.			

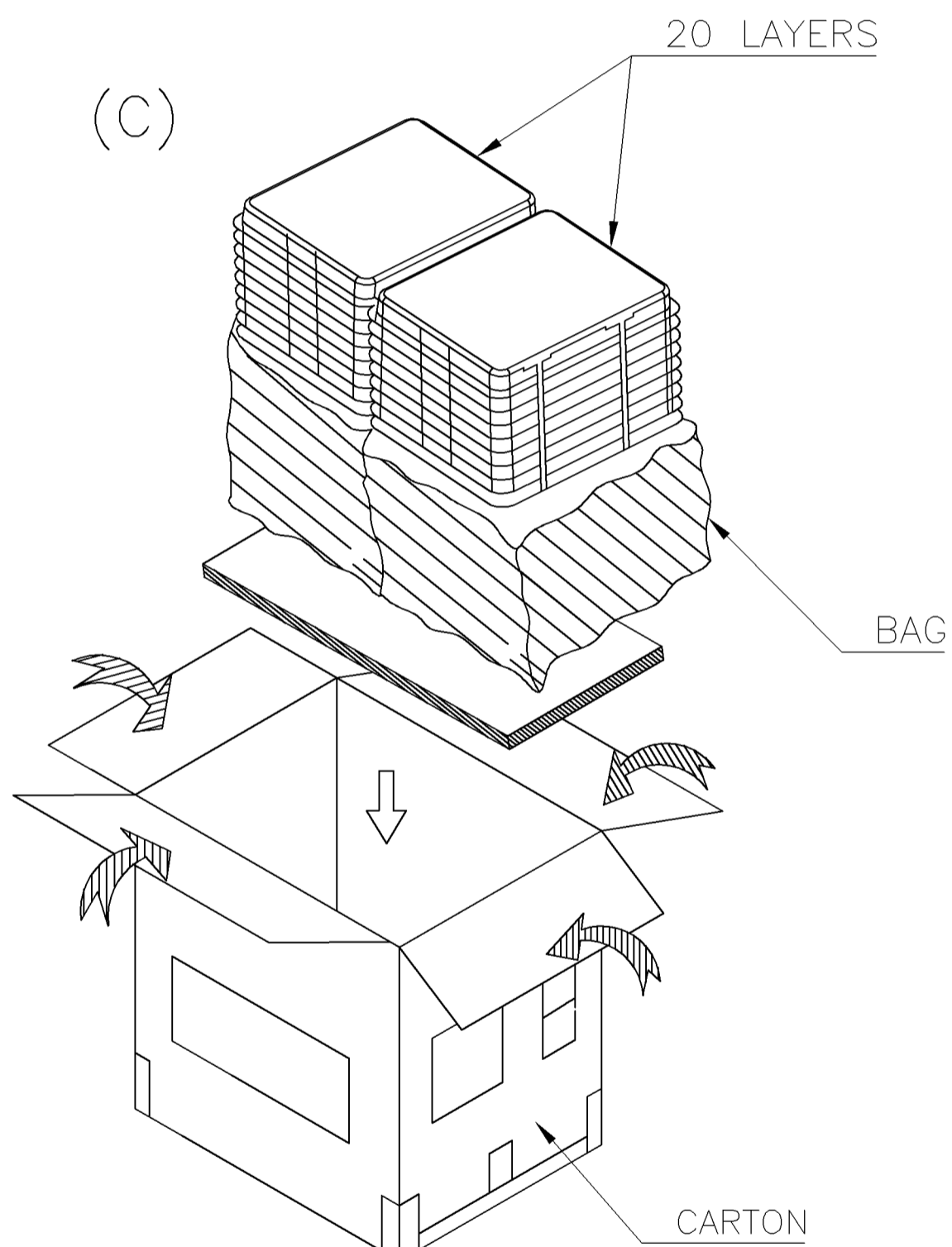
(A)



(B)



(C)



12.3 Kg	8.4 Kg	20	20	400 PCS
GROSS WEIGHT	NET WEIGHT	PCS/TRAY	TRAYS / CARTON	QUANTITY

THIS DRAWING IS A CONTROLLED DOCUMENT.		DWN	O. HU	08FEB2007	 Tyco Holdings (Bermuda) VII Ltd. Taiwan Branch				
DIMENSIONS: MM		CHK	S. HOU	08FEB2007					
TOLERANCES UNLESS OTHERWISE SPECIFIED:		APVD	W.J. KE	08FEB2007					
0 PLC ± - 1 PLC ± - 2 PLC ± - 3 PLC ± - 4 PLC ± - ANGLES ± - MATERIAL FINISH		PRODUCT SPEC		NAME					
		APPLICATION SPEC		SIZE	CAGE CODE	DRAWING NO	RESTRICTED TO		
		WEIGHT		A3 00779		C=1775616			
CUSTOMER DRAWING				SCALE	-	SHEET	2 OF 2	REV	A