



PRODUCT DATASHEET ANGELINA series

last update 3/11/2016

DETAILS

Product Number	FCN13581_ANGELINA-S
Family	ANGELINA
Type	RefPack
Color	metal
Diameter	82 mm
Height	31 mm
Style	round
Optic Material	
Holder Material	
Fastening	screw
Status	production ready
ROHS Compliant	Yes
Date Updated	3/11/2016



OPTICAL PROPERTIES

LED	Viewing Angle	Light Beam	Efficiency	cd/lm	Connector
LUXEON S2000	17 deg	Spot	93 %	3.600	LEDiL: LEDiL

H G F E D C B A

4

3

2

1

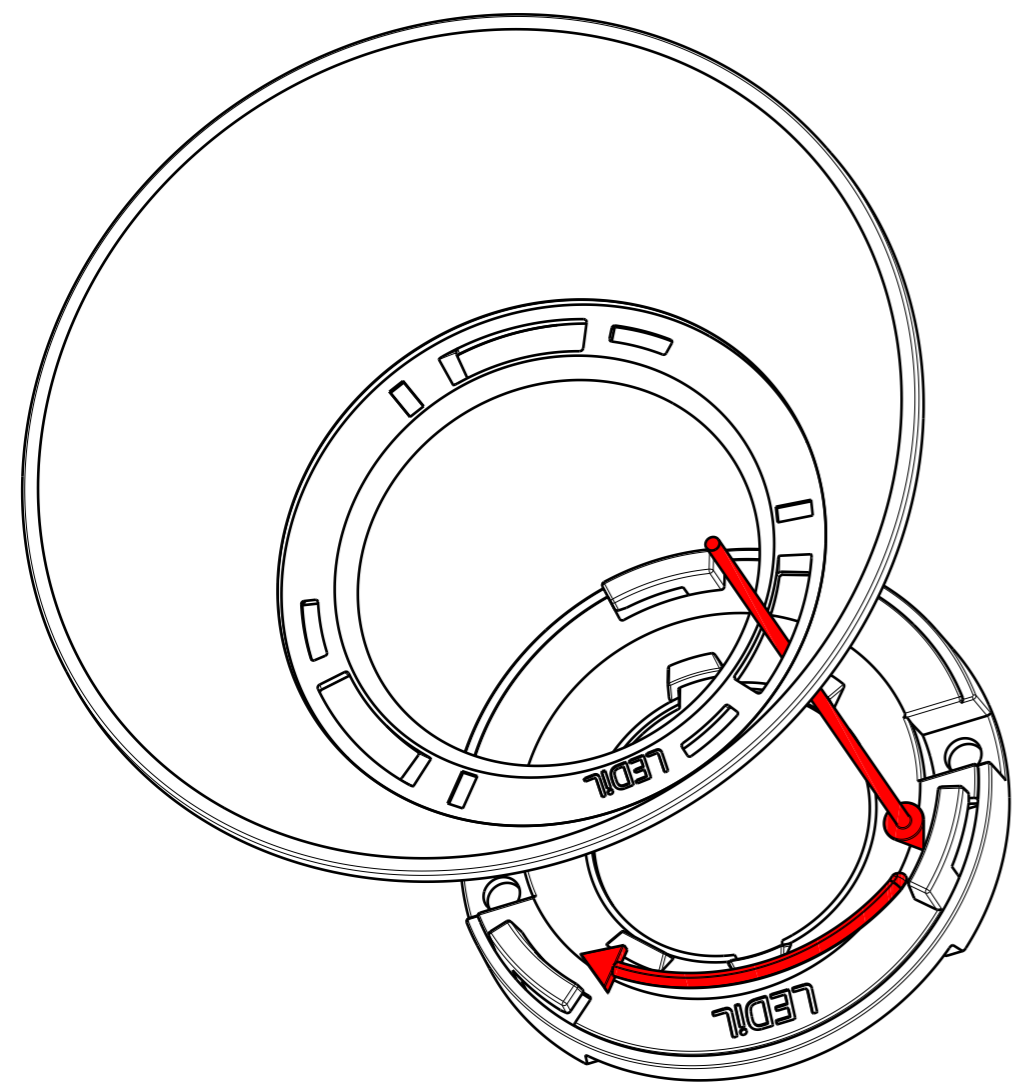
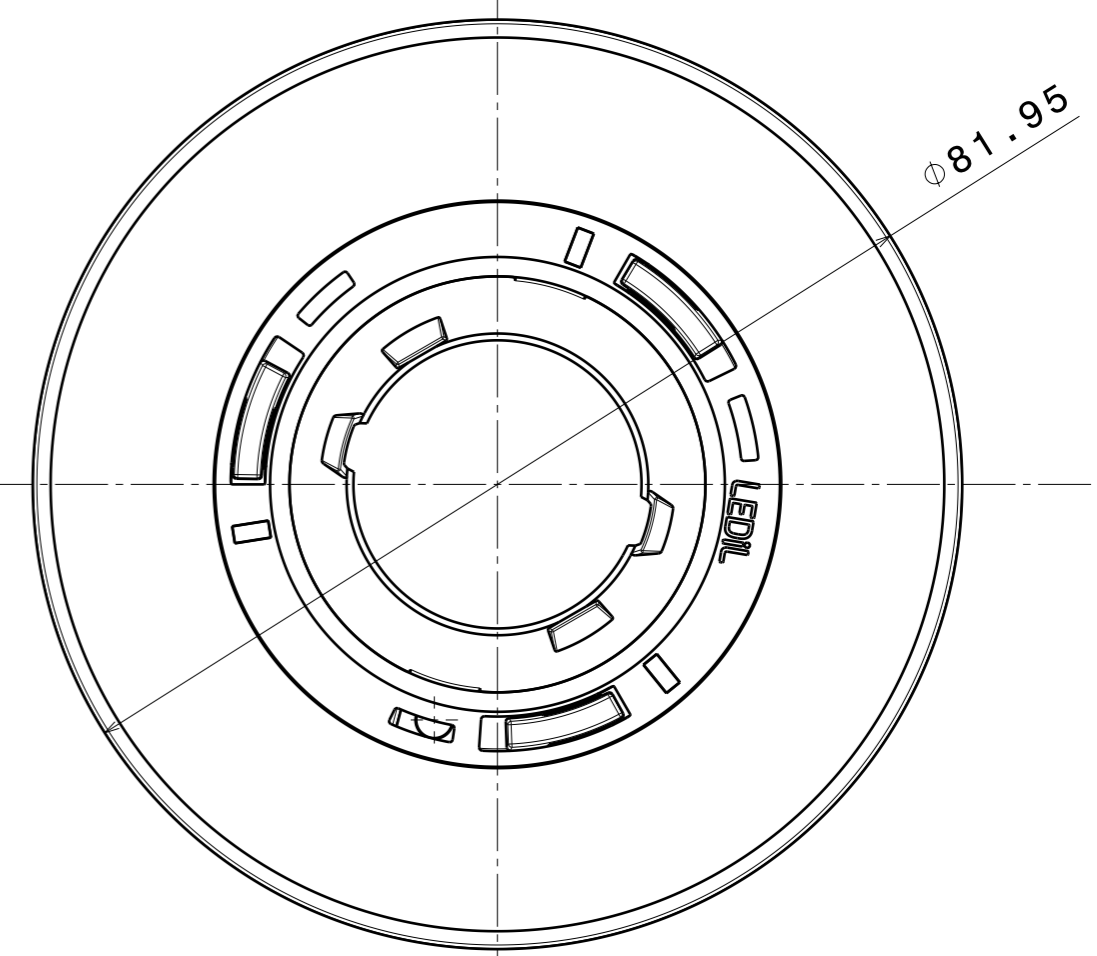
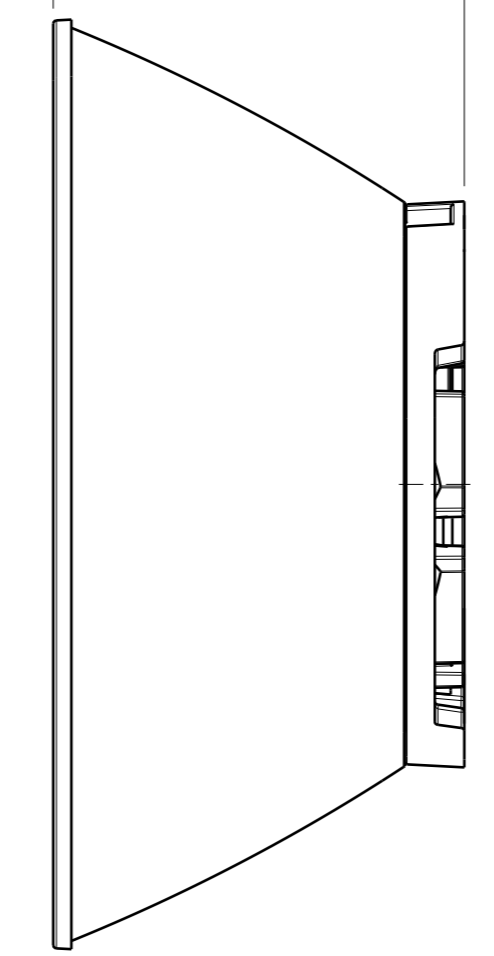
4

3

2

1

31 + Basepart



Tolerances if not otherwise shown
 According to DIN ISO 2768-1
 Linear measures:
 Up to 30mm class M, otherwise class C.
 According to DIN ISO 2768-2
 Form and position: class L

LEDiL LediL Oy
 Salorankatu 10
 FIN 24240 SALO
 Finland

THIRD ANGLE PROJECTION:

DRAWING TITLE
Datasheet_ANGELINA + CLAMP

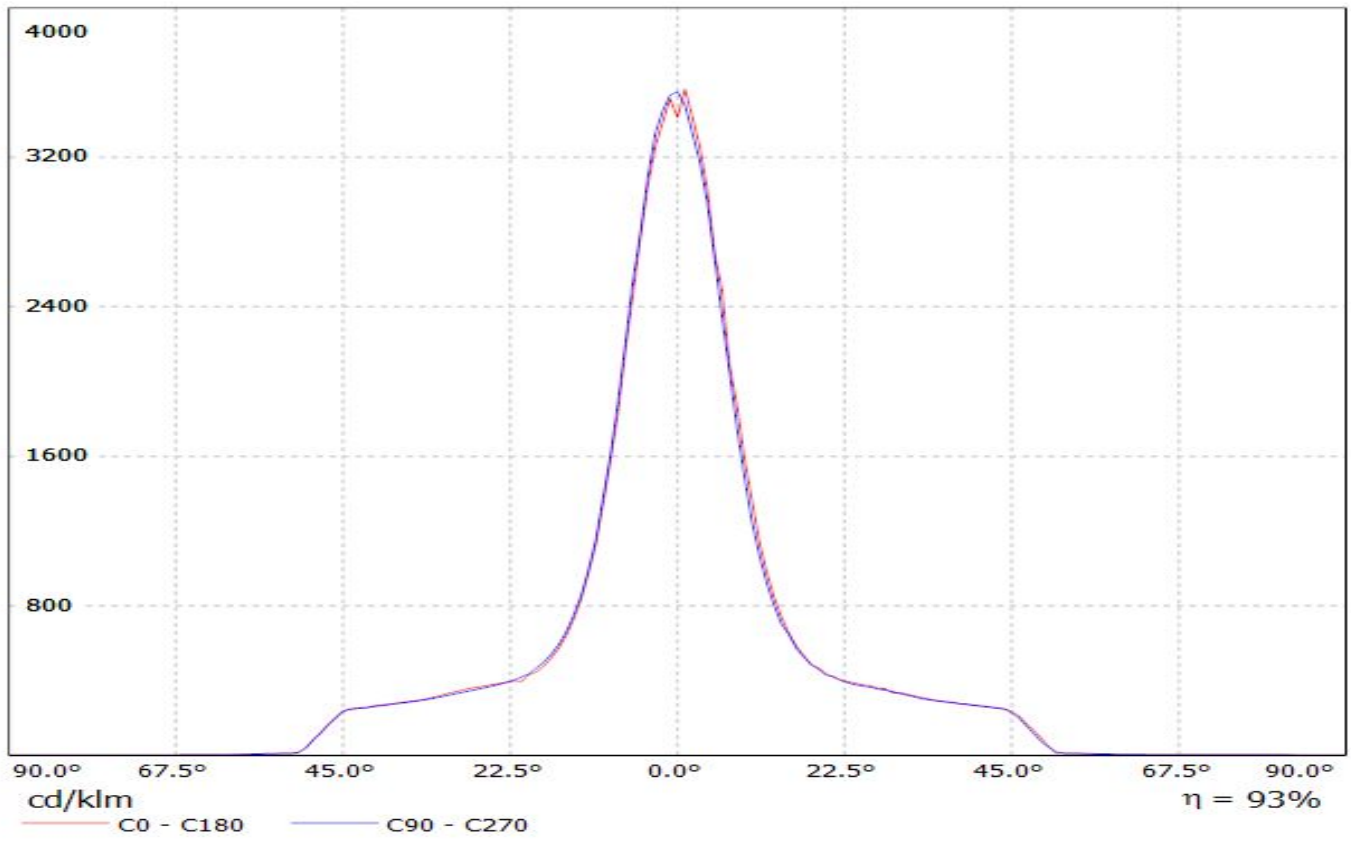
This drawing is the property of LEDiL Oy. It may not be reproduced, copied or communicated without a written agreement with LEDiL Oy.

SIZE	PART NUMBER		
A3	-		

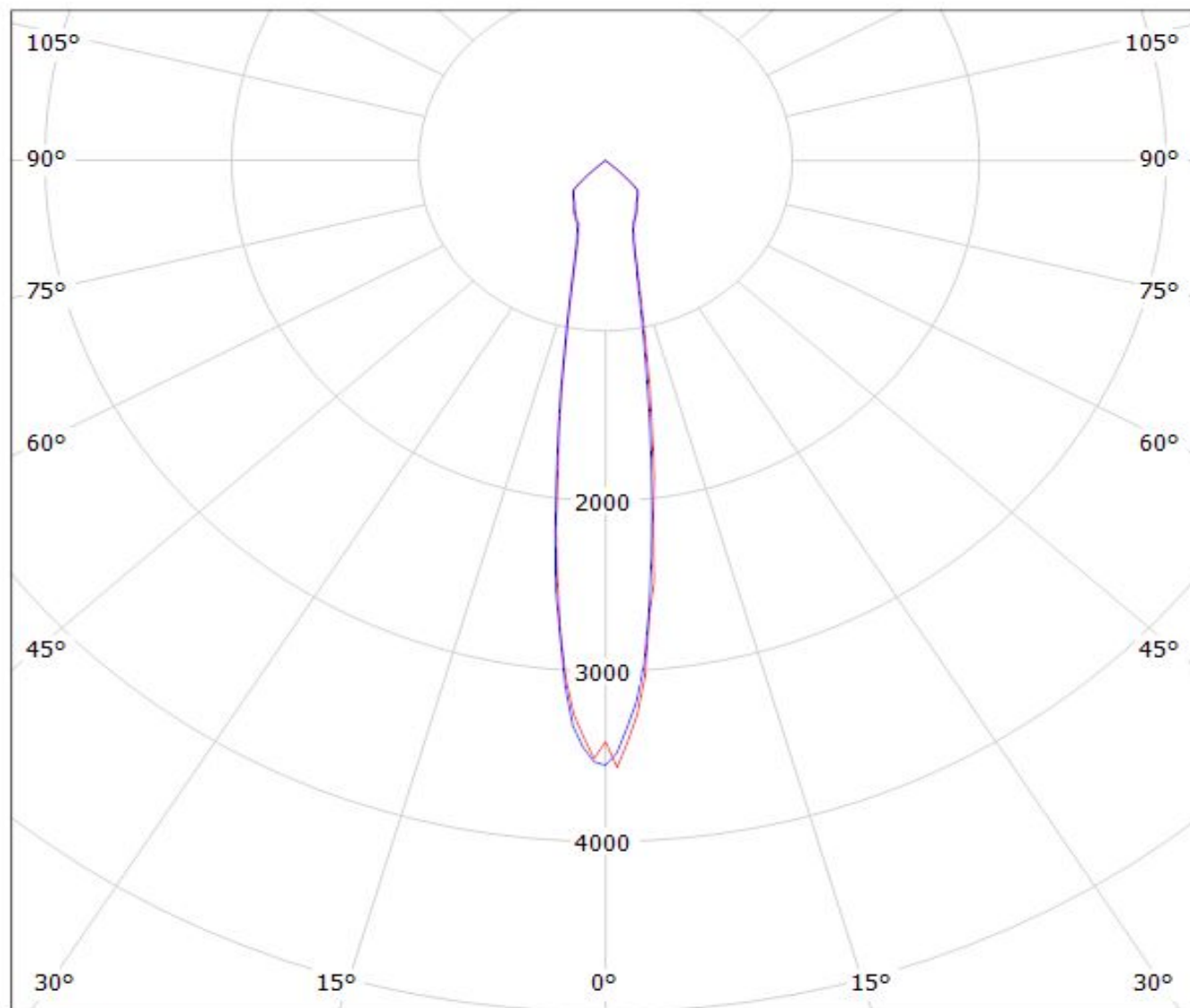
SCALE	3:2	WEIGHT	(g)	SHEET	1/1
-------	-----	--------	-----	-------	-----

H G F E D C B A

Luminaire: LEDiL Oy FCN13581_ANGELINA-S_(Luxeon_S2000) Eff.92.7%
Lamps: 1 x Luxeon S2000 448.926lm@100mA CCT=3000K P=5W I=100mA



Luminaire: LEDiL Oy FCN13581_ANGELINA-S_(Luxeon_S2000) Eff.92.7%
Lamps: 1 x Luxeon S2000 448.926lm@100mA CCT=3000K P=5W I=100mA



cd/klm

— C0 - C180 — C90 - C270

$\eta = 93\%$

NOTE: The typical divergence will be changed by different color, chip size and chip position tolerance. The typical total divergence is the full angle measured where the luminous intensity is half of the peak value.