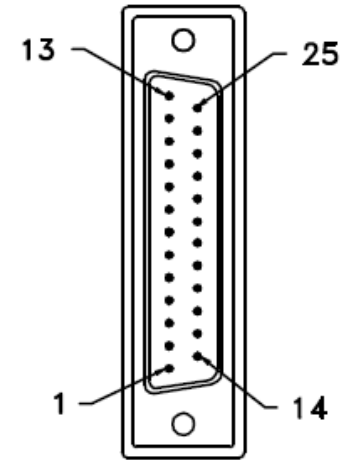
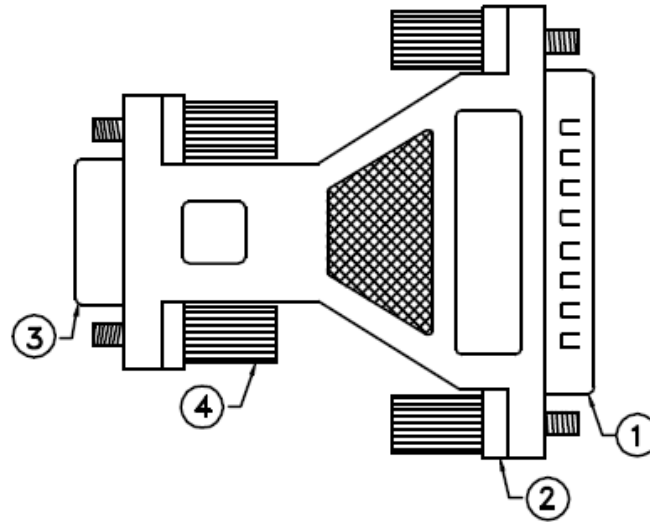
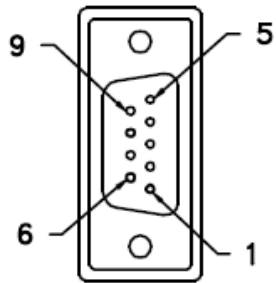




DESCRIPTION: GENDER ADAPTER DB9 (F) to DB25 (M)
 MODEL NUMBER: 30-9516



DIM OUTLINE

<i>Pin Assignment</i>		
DB9 Female		DB25 Male
1	_____	8
2	_____	3
3	_____	2
4	_____	20
5	_____	7
6	_____	6
7	_____	4
8	_____	5
9	_____	22
G	_____	G

ITEM NO.	MATERIAL / SPECIFICATION	QTY REQD	UNIT
4.	4/40 Molded Thumbscrew, Color Beige	4	PCS.
3.	D-Sub 9 Pin Female w/Gold Plating Contacts	1	PCS.
2.	Beige Molded PVC Hood, Fully Shielded w/AL-FOIL	1	PCS.
1.	D-Sub 25 Pin Male W/Gold Plating Contacts	1	PCS.
CABLE ASSEMBLY PARTS LIST			

<p>The PROPRIETARY Documents is property of Cinch Connectivity Solutions. It is confidential in nature, non-transferable, and issued with the clear understanding that it is not to be copied or used without permission and is returnable upon demand.</p> <p>INTERPRET DRAWING IN ACCORDANCE WITH ASME Y14.5-2009.</p>	<p>3RD ANGLE PROJECTION</p>	AIM-Cambridge	
	<p>RoHS2 <input checked="" type="checkbox"/></p> <p>2011/65/EU</p>	<p>Title: GENDER ADAPTER DB9 (F) to DB25 (M)</p>	
	<p>UNLESS OTHERWISE SPECIFIED UNITS: METRIC</p> <p>.X ±.2</p> <p>.XX ±.07</p> <p>ANGLES ±2°</p>	<p>Model No. 30-9516</p>	<p>Size A</p>
	<p>DO NOT SCALE DRAWING</p>	<p>Date: 11/10/2015</p>	<p>Sheet 1 of 1</p>