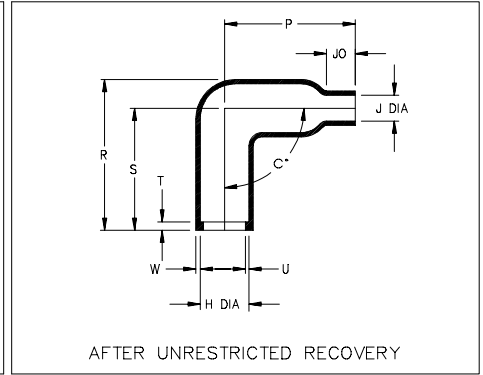
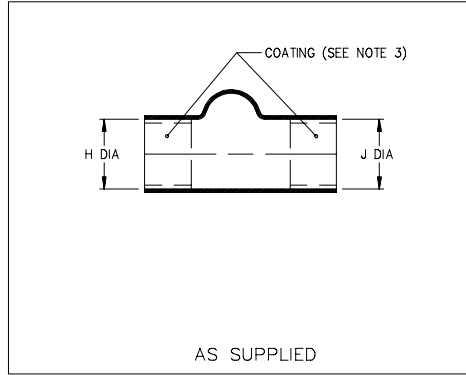


# Thermofit<sup>®</sup> Molded Parts Specification Control Drawing

Part Number : 222B112 & 222B123  
Description : Boot, 90°, With Lip

## NOTES

- All dimensions are in  $\frac{\text{inches}}{[\text{millimeters}]}$
- Dimensions appearing in table are as follows:
  - a - As Supplied
  - b - After Unrestricted Recovery
- Coating is optional. As supplied dimensions appearing in table are for uncoated parts. When coating is added, entry diameters will be reduced by .06 max.



PART NUMBER	H		J		±10% b	R Ref b	±10% b	±10% b	±10% b	±10% b	±20% b	±5% b
	Min a	Max b	Min a	Max b								
	222B112	1.00 [25,4]	.70 [17,8]	1.00 [25,4]								
222B123	1.50 [38,1]	.95 [24,1]	1.50 [38,1]	.49 [12,4]	2.00 [50,8]	1.98 [50,3]	1.60 [40,6]	.12 [3,0]	.05 [1,3]	.42 [10,6]	.06 [1,5]	90°

**Raychem**

RAYCHEM CORPORATION  
300 CONSTITUTION DRIVE  
MENLO PARK, CALIFORNIA 94025

Revision : B  
Date : 2/2/95

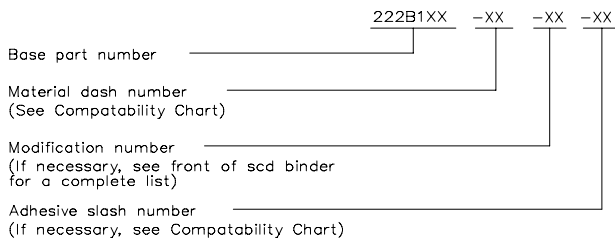
Part Number : 222B112 & 222B123  
Description : Boot, 90°, With Lip

# Thermofit<sup>®</sup> Molded Parts Specification Control Drawing

Part Number : 222B112 & 222B123  
Description : Boot, 90°, With Lip

COMPATABILITY CHART					
MATERIAL DASH NO.	MATERIAL DESCRIPTION	RT SPEC	COATING SLASH NO.	COATING S NO.	COATING DESCRIPTION
-3	Polyolefin, Semi-rigid	RT-301	/42	S-1017	Adhesive
-25	Elastomer, Fluid Resistant	RT-1325			

## ORDERING INFORMATION



THIS DRAWING IS SUBJECT TO CHANGE WITHOUT NOTICE; CONSULT YOUR  
NEAREST FIELD REPRESENTATIVE FOR CURRENT REVISION

If this document is printed it becomes uncontrolled.  
Check for the latest revision.

**Raychem**

RAYCHEM CORPORATION  
300 CONSTITUTION DRIVE  
MENLO PARK, CALIFORNIA 94025

Revision : B  
Date : 2/2/95

Part Number : 222B112 & 222B123  
Description : Boot, 90°, With Lip

CAD FILE MP95038