

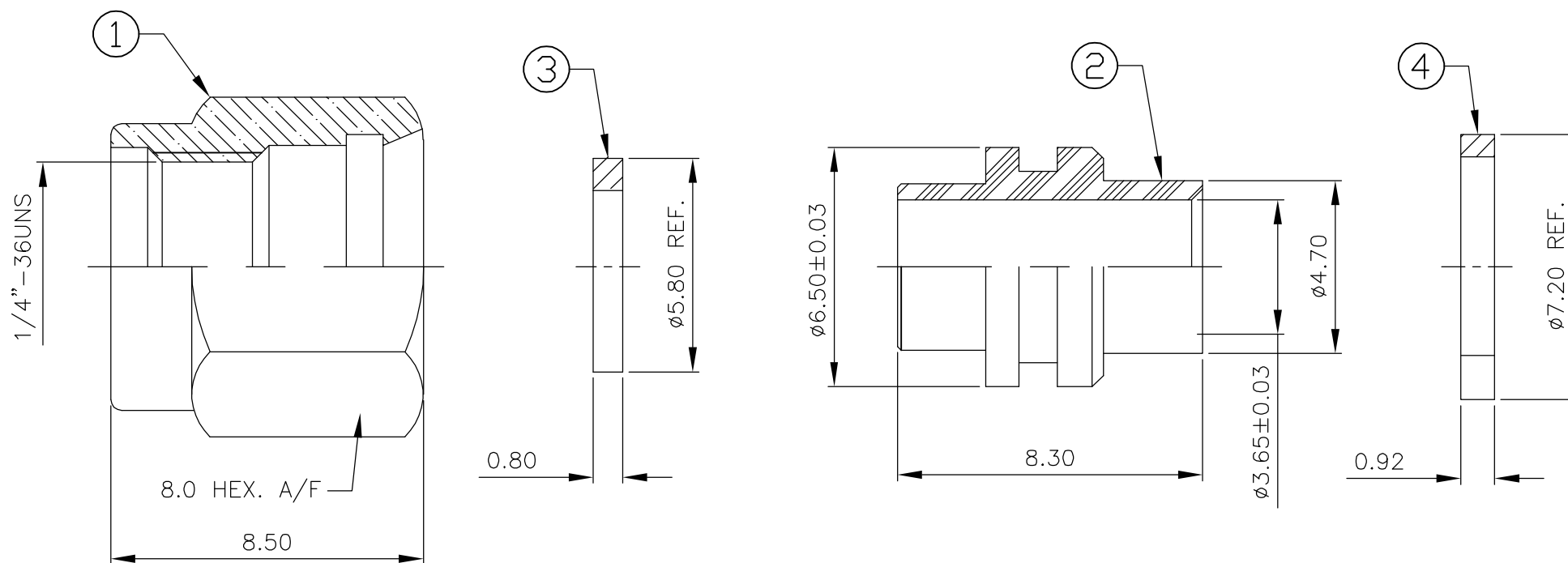
THIS DRAWING IS UNPUBLISHED. RELEASED FOR PUBLICATION APRIL, 2004.

© COPYRIGHT 2004 BY TYCO ELECTRONICS CORPORATION. ALL RIGHTS RESERVED.

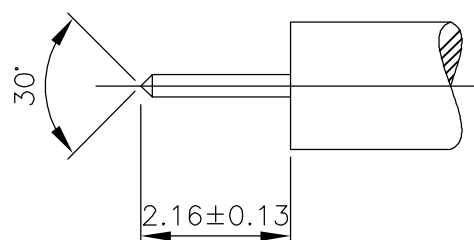
LOC	DIST	REVISIONS			
P	LTR	DESCRIPTION	DATE	DWN	APVD
E	B	B	EBD0-0189-04	22APR04	RS FWK

NOTES:

- ① SINGLE PACK IN ACCORDANCE WITH SPEC 107-3275
- ② 100 TRAY PACK IN ACCORDANCE WITH SPEC 107-3275
- ③ 0.08µm Au PLATING OVER 1.27µm Ni PLATING
- ④ PASSIVATED (GOLD PLATED CABLE ENTRY)
- 5 FOR TECHNICAL DATA REFER TO YOUR LOCAL TYCO ELECTRONICS SALES OFFICE
- 6 ALL DIMENSIONS ARE NOMINAL FOR REFERENCE ONLY UNLESS OTHERWISE STATED



RECOMMENDED CABLE STRIPPING DIM'S



QTY	QTY	QTY	QTY	MATERIAL	DESCRIPTION	ITEM
1	1	1	1	STAINLESS STEEL	CIRCLIP	4
1	1	1	1	SILICON	GASKET	3
1	1	-	-	STAINLESS STEEL ④	BODY	2
-	-	1	1	STAINLESS STEEL ③	BODY	2
1	1	-	-	STAINLESS STEEL ④	SHELL	1
-	-	1	1	STAINLESS STEEL ③	SHELL	1
2--1	2--0	1--1	1--0	MATERIAL	DESCRIPTION	ITEM
②	①	②	①			

THIS DRAWING IS A CONTROLLED DOCUMENT.		DWN R.SMITH 28JAN04	Tyco Electronics Corporation Bideford, UK, EX39 4HE																	
DIMENSIONS: mm		CHK S.PARLOW 28JAN04																		
TOLERANCES UNLESS OTHERWISE SPECIFIED:		APVD F.WHEELER-KING 28JAN04	NAME SMA STRAIGHT PLUG DIRECT SOLDER W/O CENTRE CONTACT RG402/U																	
<table border="0"> <tr><td>0 PLC</td><td>± -</td></tr> <tr><td>1 PLC</td><td>± -</td></tr> <tr><td>2 PLC</td><td>± -</td></tr> <tr><td>3 PLC</td><td>± -</td></tr> <tr><td>4 PLC</td><td>± -</td></tr> <tr><td>ANGLES</td><td>± -</td></tr> <tr><td>FINISH</td><td>-</td></tr> </table>		0 PLC	± -	1 PLC	± -	2 PLC	± -	3 PLC	± -	4 PLC	± -	ANGLES	± -	FINISH	-	PRODUCT SPEC 108-3460	SIZE A3	CAGE CODE 00779	DRAWING NO C-1478902	RESTRICTED TO -
0 PLC	± -																			
1 PLC	± -																			
2 PLC	± -																			
3 PLC	± -																			
4 PLC	± -																			
ANGLES	± -																			
FINISH	-																			
MATERIAL SEE TABLE		APPLICATION SPEC 411-3276	SCALE 1:1																	
		WEIGHT -	SHEET 1 OF 1																	
		CUSTOMER DRAWING		REV B																