

11 X

S -  $\varnothing 0.210$  BUSHING I.D.

MS - "M" - GOLD PLATED SPRINGS WITH GOLD ALLOY CONTACTS ON RING SPRINGS AND SHUNT SPRINGS (WHEN SHUNT SPRINGS ARE USED)

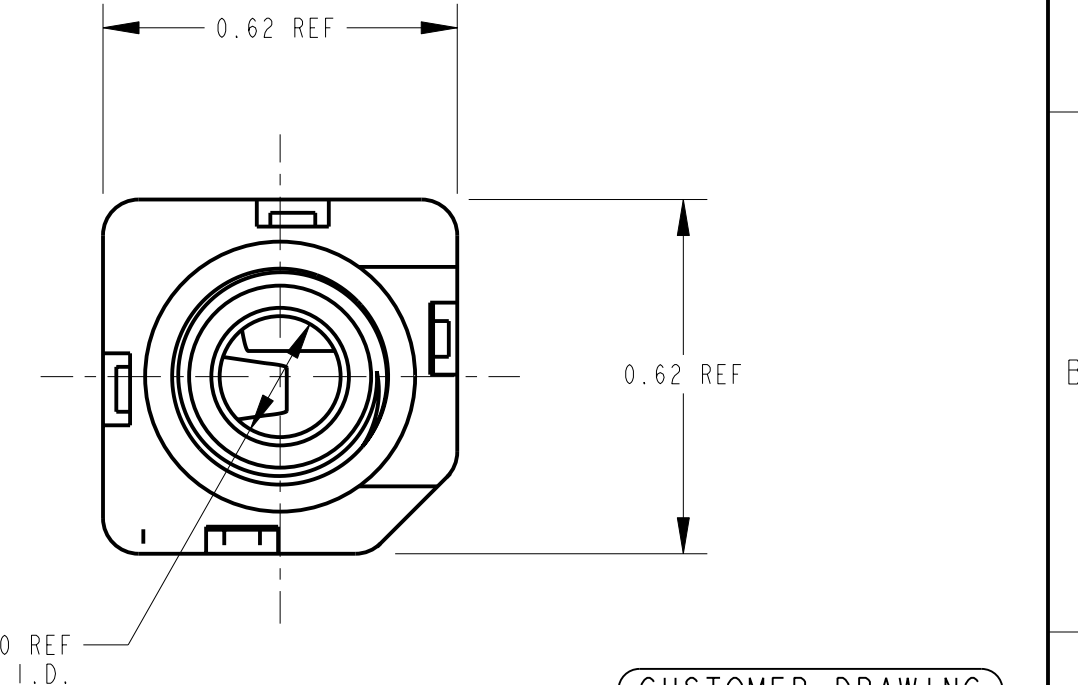
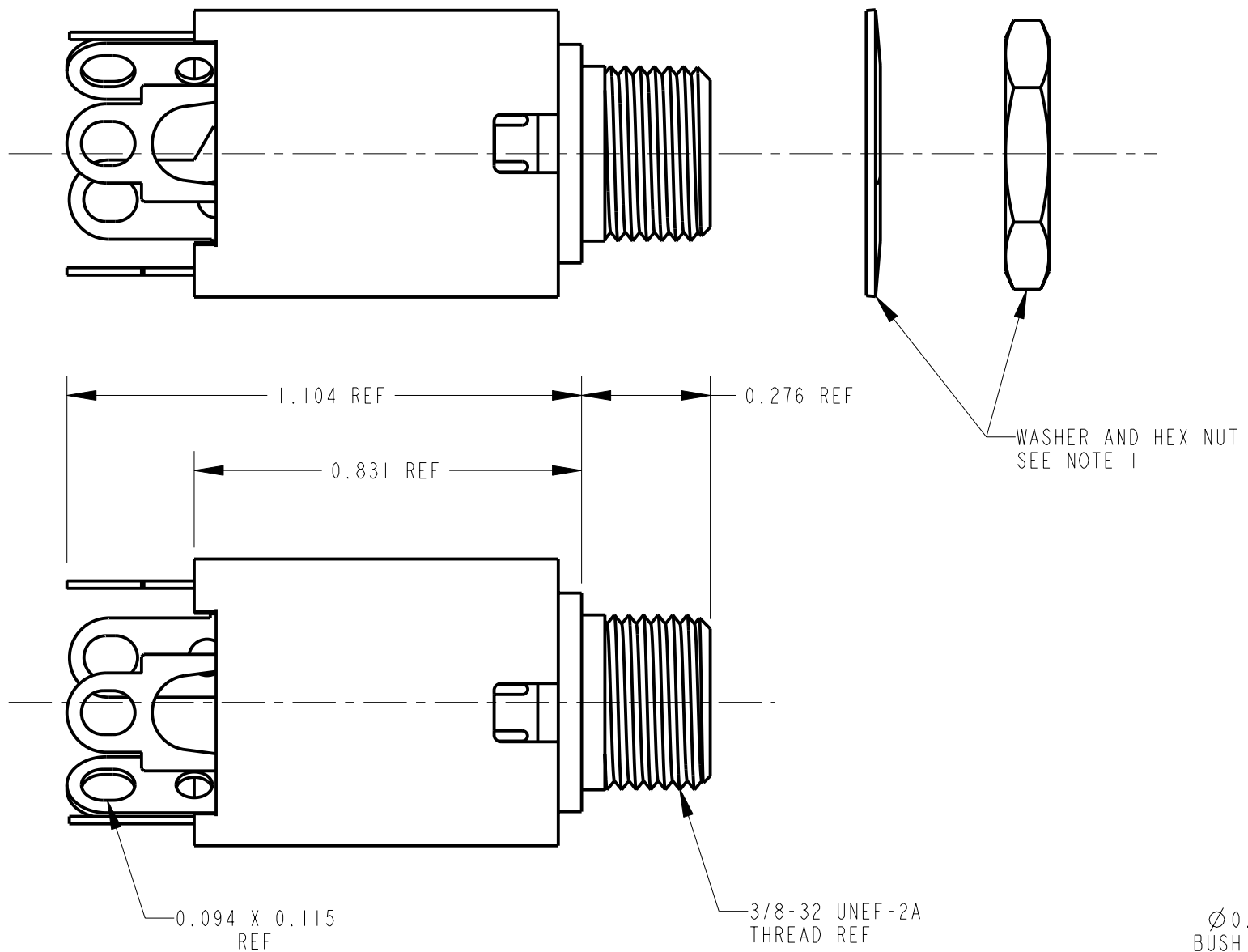
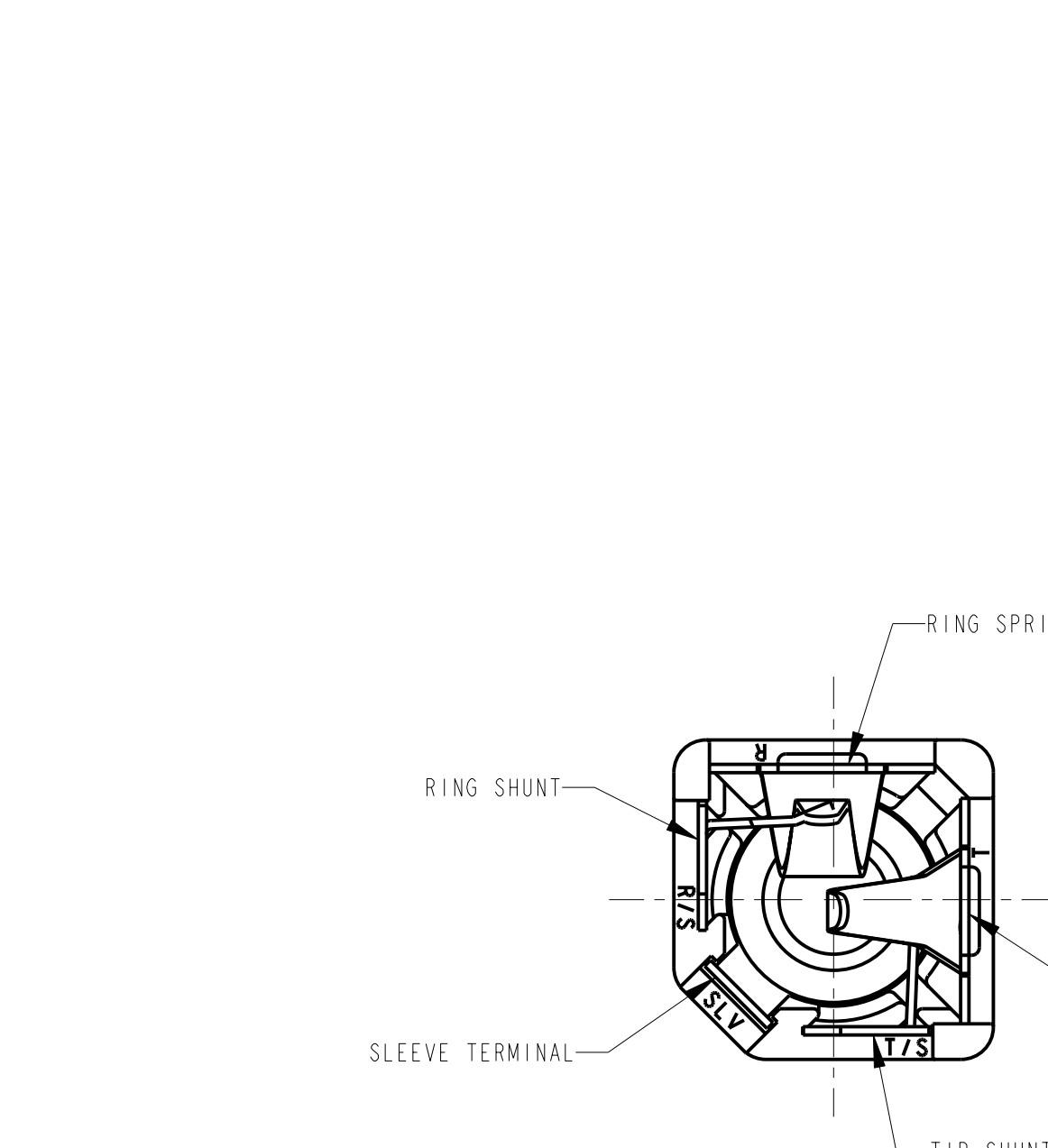
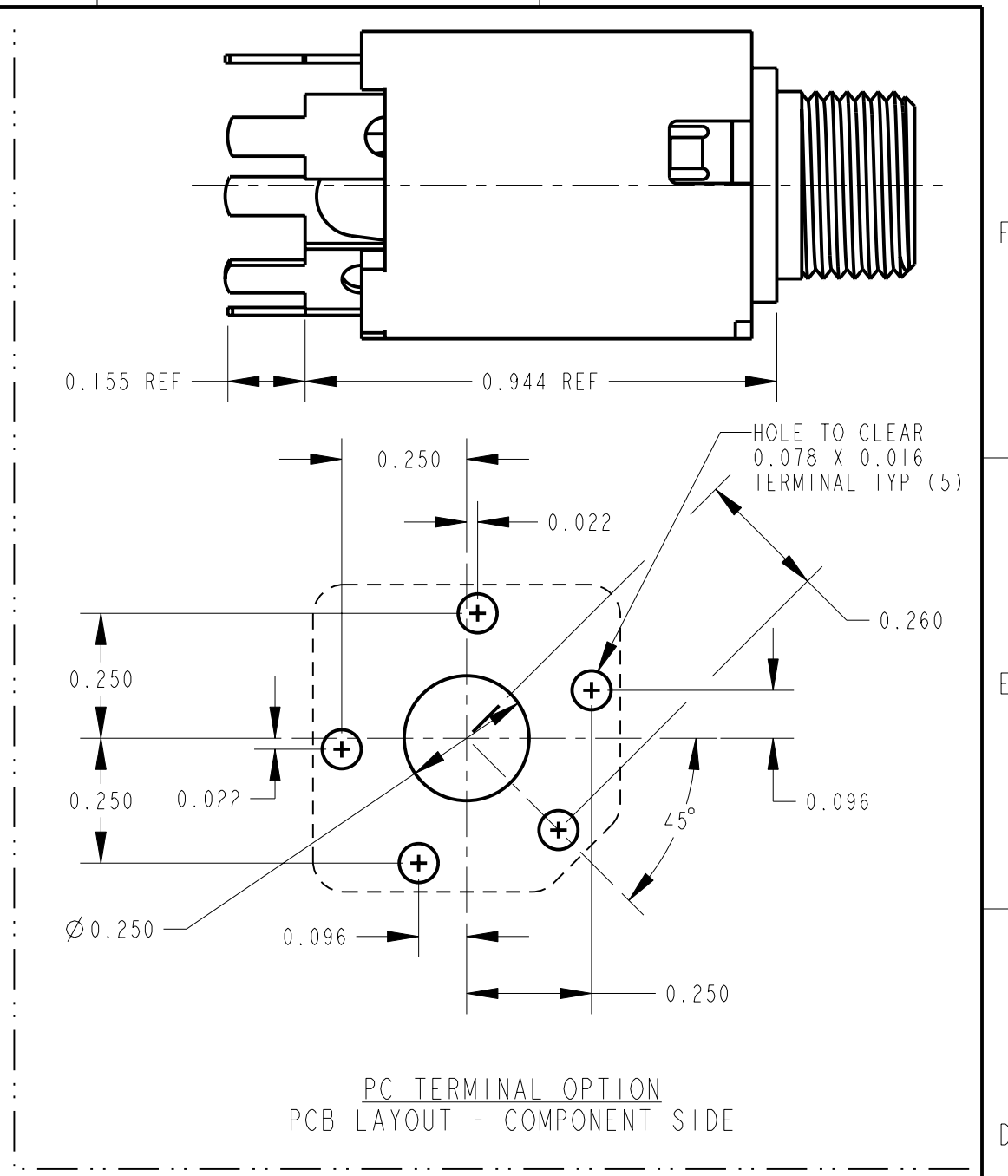
"S" -  $\varnothing 0.210$  BUSHING I.D.

RoHS COMPLIANT

TERMINAL OPTIONS:  
 BLANK - SOLDER TERMINAL  
 PC - 0.078 WIDE PC TAILS  
 PCS - SNAP-IN PC TAILS

CIRCUITRY:

1 - TIP OPEN CIRCUIT	
2A - TIP CLOSED CIRCUIT	
2B - TIP & RING OPEN CIRCUIT	
3 - TIP OPEN CIRCUIT AND ISOLATE "MAKE" CIRCUIT	
3B - TIP CLOSED CIRCUIT AND RING OPEN CIRCUIT (I-C TRANSFER)	
3D - 1 TIP CLOSED CIRCUIT AND 1 TIP OPEN CIRCUIT	
3E - TIP OPEN CIRCUIT AND ISOLATED "BREAK" CIRCUIT	
3F - TIP OPEN CIRCUIT AND RING CLOSED CIRCUIT	
4B - TIP & RING CLOSED CIRCUIT	



NOTES:

- HARDWARE SHIPPED UNASSEMBLED.
- MAXIMUM PANEL THICKNESS: 0.156
- MATERIALS:  
 HOUSING - POLYESTER GLASS FILLED, BLACK  
 BUSHING - BRASS, NICKEL PLATED  
 SLEEVE TERMINAL - BRASS, LEAD FREE ELECTRO-TIN PLATED  
 SPRINGS - NICKEL SILVER, LEAD FREE ELECTRO-TIN PLATED  
 LIFTERS - NYLON (113 & 113E CIRCUIT OPTIONS)  
 WASHER - STEEL, NICKEL PLATED  
 NUT - BRASS, NICKEL PLATED
- THIS PRODUCT IS RoHS COMPLIANT.

SOLDER TERMINAL OPTION

REV	ECO NUMBER	DATE	BY	APVD
A	26032	3-25-11	TJK	TJK
REVISIONS				

DO NOT SCALE DRAWING

★ STAR SYMBOL DENOTES CRITICAL DIMENSION

UNLESS OTHERWISE SPECIFIED

- ALL DIMENSIONS IN INCHES  
 - TWO PLACE DECIMALS  $\pm 0.01$   
 - THREE PLACE DECIMALS  $\pm 0.005$   
 - ANGLES  $\pm 1^\circ$   
 - ALL DIA. CONCENTRIC WITHIN 0.005 T.I.R.
- FEATURES ON THE SAME CENTERLINE MUST BE ALIGNED WITHIN  $\pm 0.002$
- REMOVE ALL BURRS

SIZE	WIDTH	MULT	LBS/M	TEMPER
FINISH		MATERIAL		
SPEC No.		SPEC No.		
FIRST USED ON		SCALE		
		3:1		
DATE DRAWN	BY	CHKD	APVD	
1-24-07	TJK	1-24-07	1-24-07	
NAME		PART No.		REV
3/8-32 THREADED BUSHING		S110X SERIES		A
$\varnothing 0.21$ I.D. HI-D JACK ASSY, RoHS		MS110X SERIES		

**Switchcraft**  
SHEET | OF |

CUSTOMER DRAWING