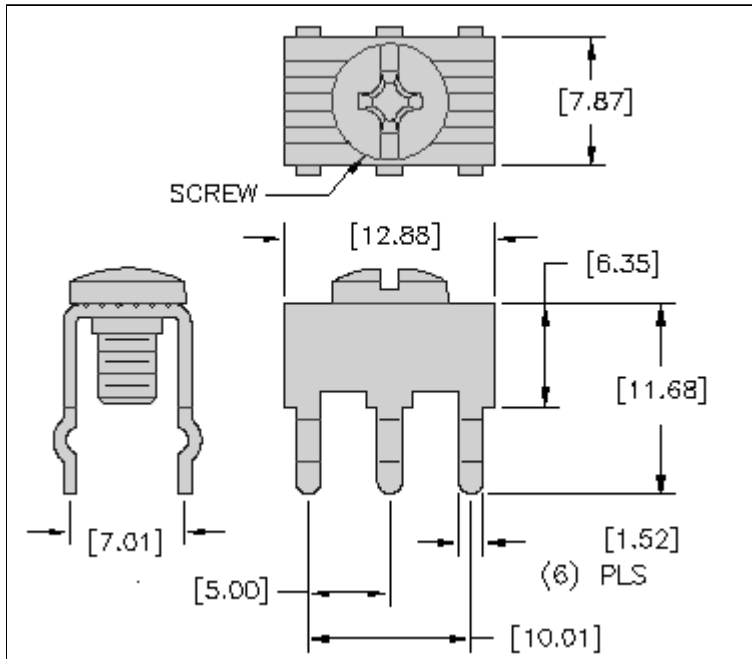




30 Amp PCB Metric Thread Screw Terminals

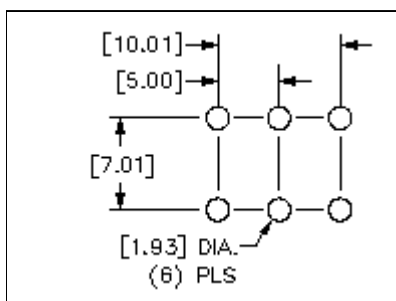
Vertical Type - M4 Thread

"Snap-In" PCB Mount Style



Cat. No.	Screw Supplied	Screw Color
7798	Less Screw	None
7799	Unassembled	None
7800	Assembled	None
Specifications		
Rated: 30 Amps		
Terminal: 0.81mm Thick Brass, Tin Plate		
Screw: M4 x 6mm Thread Combination Binding Head - Brass, Nickel Plate		
Click to Request Samples		
VIEW PRODUCT OVERVIEW		

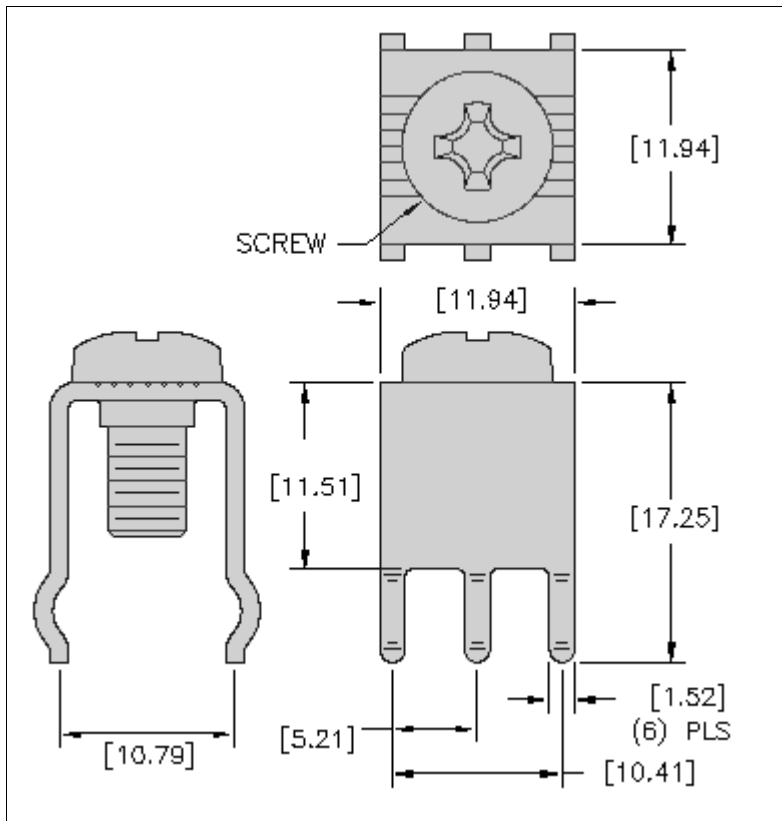
Mounting Detail



Vertical Type - M5 Thread

"Snap-In" PCB Mount Style

Cat. No.	Screw Supplied
7807	Less Screw
7808	Unassembled
Specifications	



Rated: 30 Amps
Terminal: 1.14mm Thick Brass, Tin Plate
Screw: M5 x 10mm Thread Combination
 Binding Head - Brass, Nickel Plate

[Click to Request Samples](#)

[VIEW PRODUCT OVERVIEW](#)

Mounting Detail

