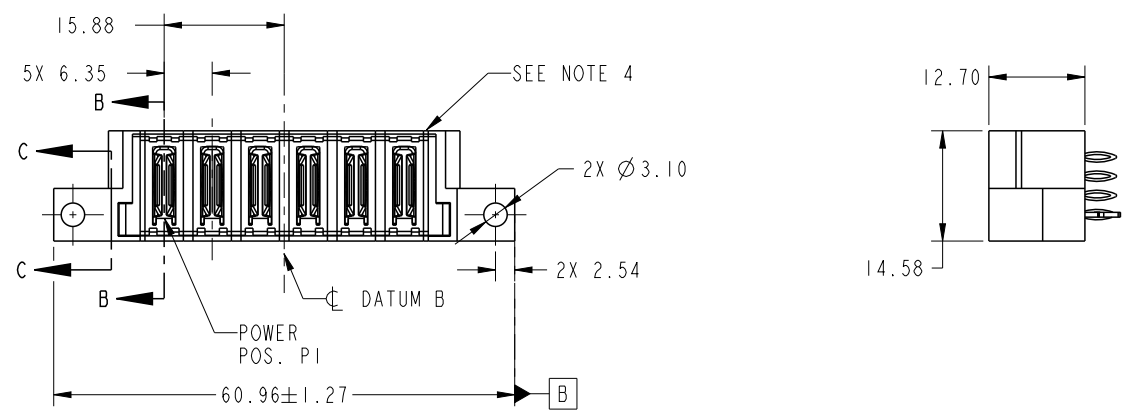
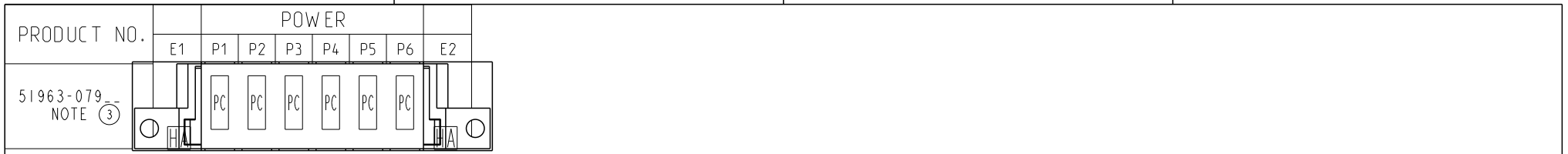




Copyright FCI.



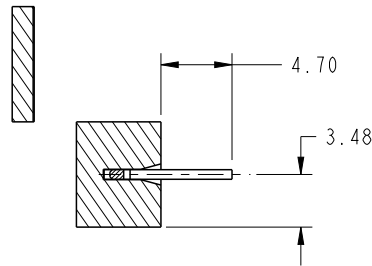
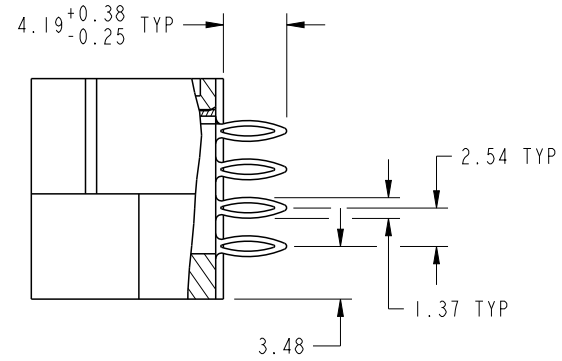
CODE	DIM "M" MATING LENGTH	CONTACT TYPE
PC	[N/A]	POWER
HA	[N/A]	HOLD-DOWN

spec ref	See Notes			dr	Luo Weller	2012/07/01	projection	MM	size	A4	scale	1:1		
tolerance std	TOLERANCES UNLESS OTHERWISE SPECIFIED			eng	Luo Weller	2012/07/02			ecn no	-				
See Notes				chr	-	-			appr	Pei-Ming Zheng	2012/07/03	product family	PwrBlade	
surface	linear	0.X	±0.50				title 6P VERTICAL PRESS-FIT HEADER	dwg no 51963-079	rel level Released	rev		A		
		0.XX	±0.25							www.fci.com	cat. no.	&model_name	Product - Customer Drw	sheet 1 of 4
	angular	0°	±2°											

PrdE File - REV C - 2009-06-09

PRODUCT NUMBER

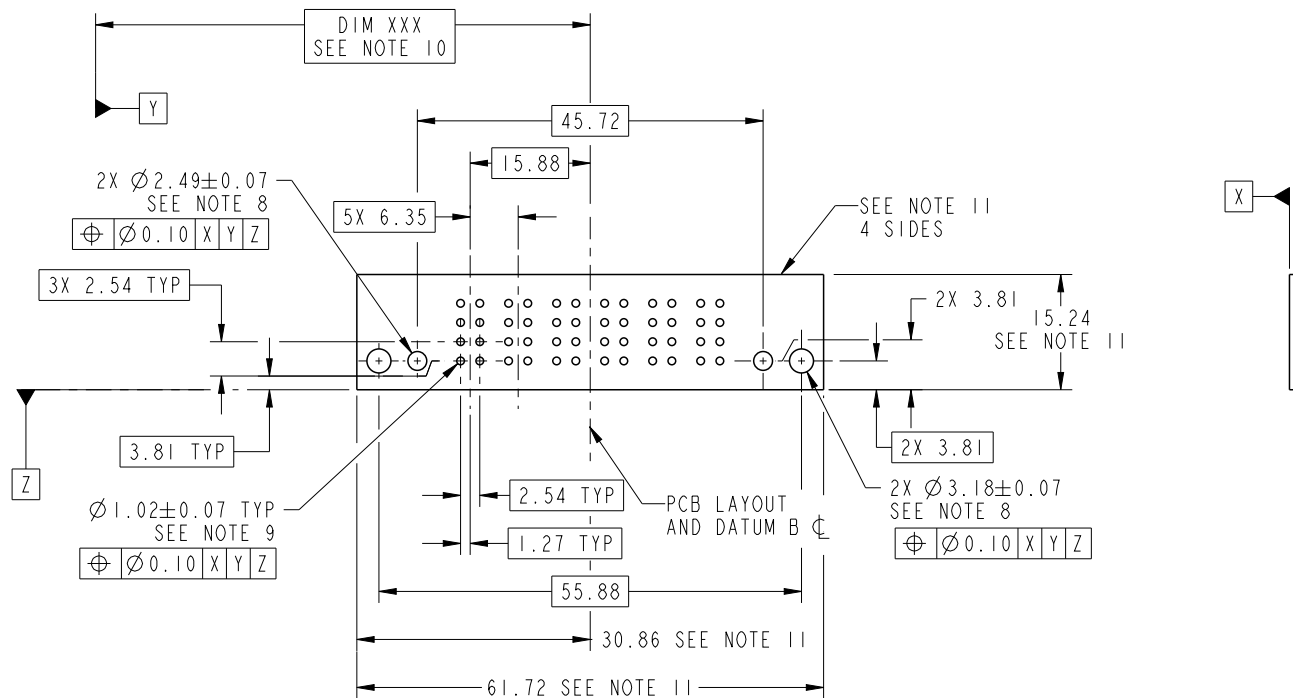
51963-079__
NOTE 3



dr	Luo Weller	2012/07/01	projection 	MM 	size	A4	scale	1:1
eng	Luo Weller	2012/07/02			ecn no	-		
chr	-	-			product family	PwrBlade	rel level	Released
appr	Pei-Ming Zheng	2012/07/03			title 6P VERTICAL PRESS-FIT HEADER	dwg no 51963-079	rev A	
www.fci.com		cat. no.	&model_name	Product - Customer Drw		sheet 2 of 4		

PRODUCT NUMBER

51963-079__
NOTE 3



RECOMMENDED PCB LAYOUT

dr	Luo Weller	2012/07/01	projection 	MM 	size	A4	scale	1:1	
eng	Luo Weller	2012/07/02			ecn no	-			
chr	-	-			rel level	Released			
appr	Pei-Ming Zheng	2012/07/03	product family	PwrBlade	rev	A			
	title	6P VERTICAL PRESS-FIT HEADER	dwg no	51963-079	www.fci.com	cat. no.	&model_name	Product - Customer Drw	sheet 3 of 4

PRODUCT NUMBER

51963-079__
NOTE 3

NOTES:

1. DIMENSIONS AND TOLERANCES ARE IN ACCORDANCE WITH ASME Y14.5M, 1994 UNLESS OTHERWISE SPECIFIED.

CONNECTOR NOTES:

- 2 HOUSING MATERIAL: UL 94 V-0 GLASS FILLED HIGH-TEMP THERMOPLASTIC
POWER CONTACT MATERIAL: COPPER ALLOY
SIGNAL PIN MATERIAL: COPPER ALLOY
 - 3. SEE ITEM 3 & 4 IN PRINT 10064183 FOR PLATING SPEC OF 51963-079 AND 51963-079LF RESPECTIVELY.
 - 4 MANUFACTURER'S NAME, DATE CODE AND OPTIONAL P/N TO APPEAR ON THIS SURFACE. THE P/N CAN BE OMITTED IF THERE IS NOT ENOUGH SPACE ON THIS SURFACE.
 - 5. PRODUCT SPECIFICATION GS-12-149.
APPLICATION SPECIFICATION BUS-20-067.
 - 6. PACKAGED IN TRAYS.
- PCB NOTES:
- 7. ALL HOLE DIAMETERS ARE FINISHED HOLE SIZE.
 - 8. MOUNTING HOLES, WHERE APPLICABLE, ARE UNPLATED.

9 $\varnothing 1.151 \pm 0.025$ DRILLED HOLES PLATED WITH 0.008 MIN SnPb OR Sn OVER .001 [0.03] TO 0.08 Cu PLATING TO ACHIEVE $\varnothing 1.02 \pm 0.07$ HOLE.

10 "DIM XXX" TO BE DETERMINED BY THE CUSTOMER.

11 CONNECTOR KEEP-OUT ZONE.

12. FOR PRESS FIT APPLICATION USE FCI CAM TOOL 430169-XXX.

dr	Luo Weller	2012/07/01	projection 	MM 	size	A4	scale	1:1		
eng	Luo Weller	2012/07/02			ecn no	-				
chr	-	-			product family	PwrBlade	rel level	Released		
appr	Pei-Ming Zheng	2012/07/03	FCI		title	6P	dwg no	51963-079	rev	A
www.fci.com		cat. no.	&model_name	Product - Customer Drw		sheet 4 of 4				



Copyright FCI.