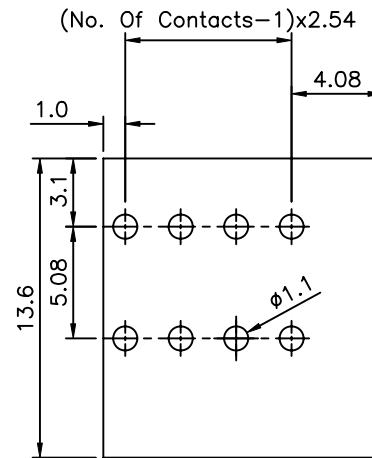
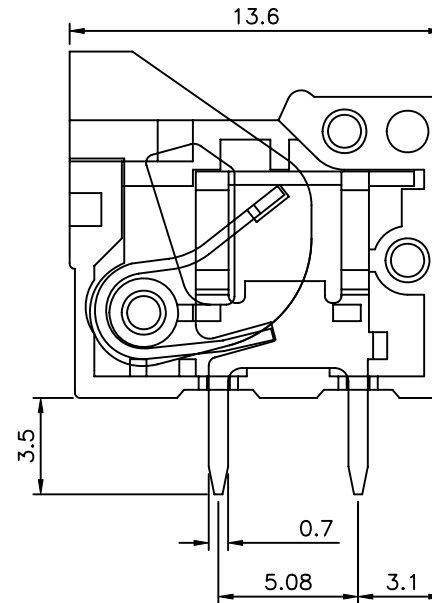
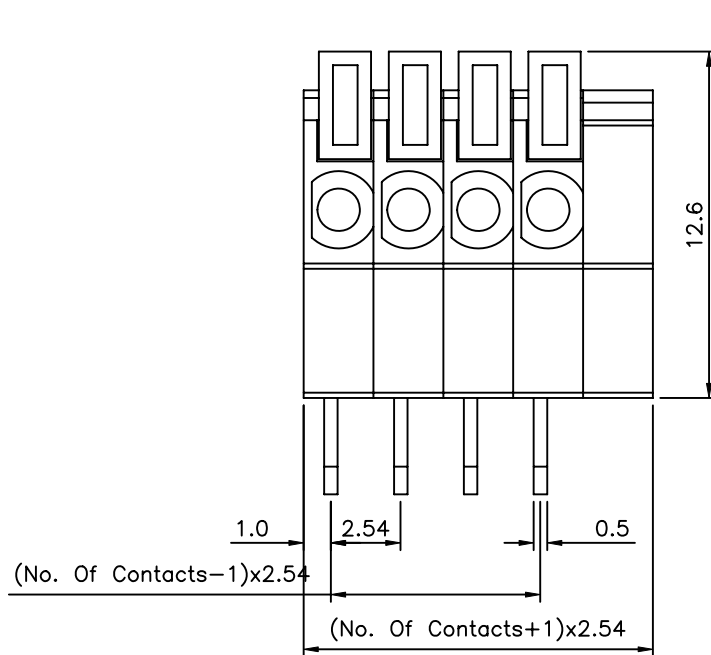


SPECIFICATION
 Current Rating:2 Amp/Way Max.
 Voltage Rating:150V AC
 Contact Resistance:20 Milliohms Max.
 Insulation Resistance:1000 Megaohms Min.
 Wire Range:20~26AWG
 Operation Temperature:-50°C~+105°C
 Test Temperature:250°C 5 Seconds Max.
 Contact:Brass
 Surface Of Solder Tail:Tin Plated
 Wire Guard:Stainless Steel
 Housing:PA66+30%G.F. UL94V-0,Green
 Button:PA66 UL94V-0,Orange
 RoHS Compliant



Recommended P.C.B. Layout



DRAWING No.

APPROVED BY

MEI

CHECKED BY

HZF

DRAWING BY

WZL

UNLESS OTHERWISE SPECIFIED TOLERANCES ARE
 X. ±0.50
 .X ±0.30
 .XX ±0.20
 ANG. ±1°

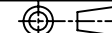
SCALE

NONE

REV.

A0

UNIT mm



NO.

REV.

NEW RELEASE

REVISIONS

CHK

05/23/2009

DATE