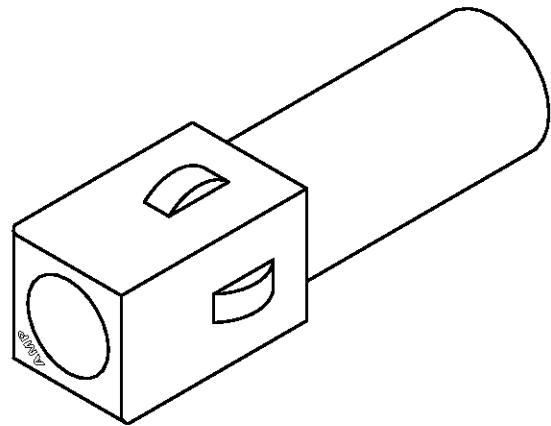
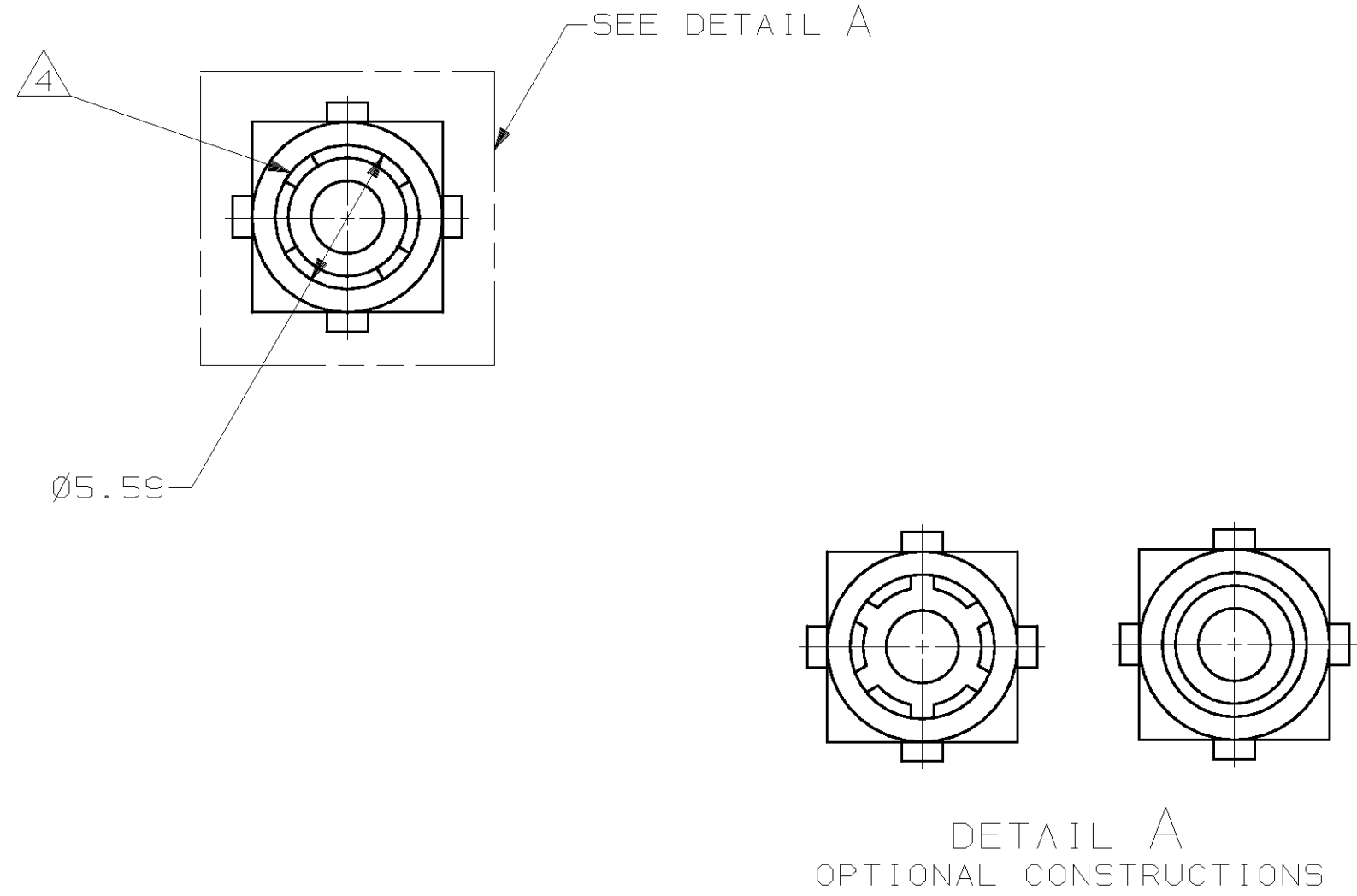
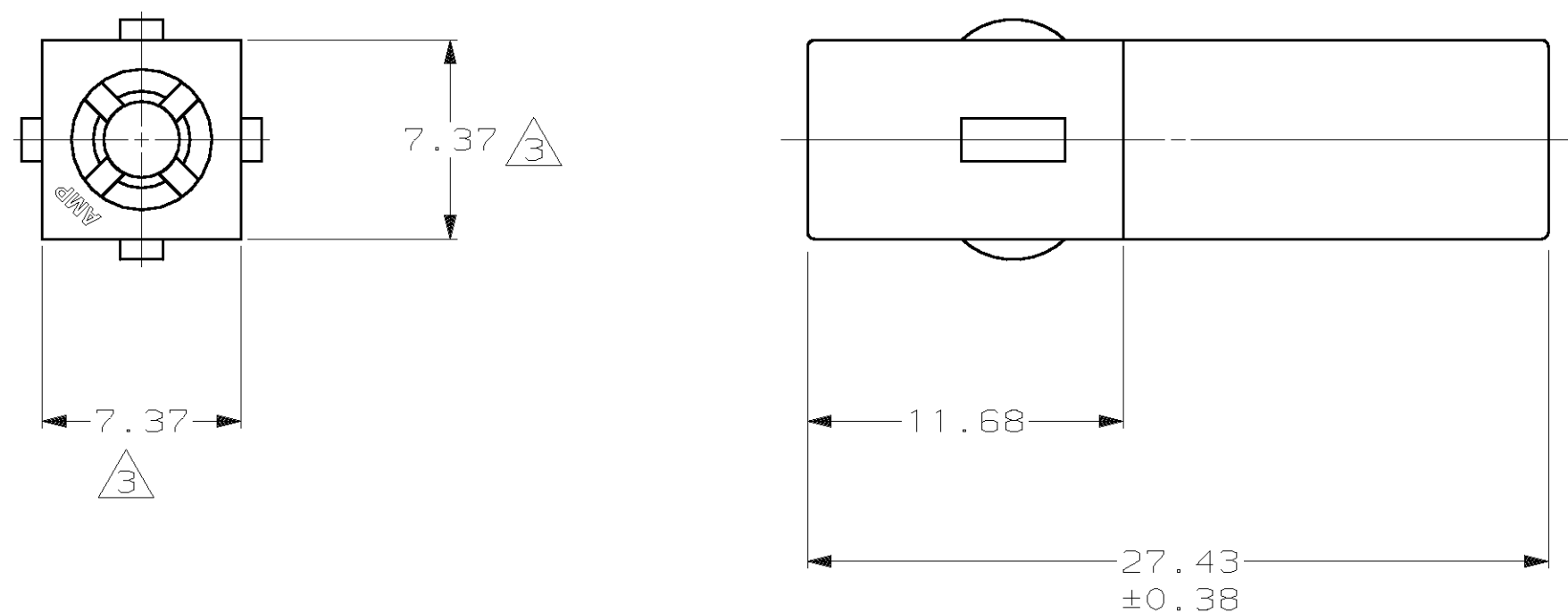


THIS DRAWING IS UNPUBLISHED. RELEASED FOR PUBLICATION, 19 .
 © COPYRIGHT 19 BY AMP INCORPORATED. ALL INTERNATIONAL RIGHTS RESERVED.

LOC		DIST		REVISIONS					
ZONE	LTR	DESCRIPTION	DATE	APPD					
CM	53			M	REV PER EC	0G1B-0184-98	10-15-98	JH	RS

- MATES WITH APPROPRIATE UNIVERSAL MATE-N-LOK™ CAP.
 - SMALL NICKS ARE PERMITTED ON THE CIRCUIT TOWER WHICH COULD INCREASE THE INITIAL HOUSING MATING FORCE BY UP TO 2.2 NEWTONS [.5 LBS].
- △3 DIMENSION INDICATED IS AS MOLDED. ADDITIONAL GROWTH DUE TO SUBSEQUENT MOISTURE ABSORPTION MAY OCCUR.
- △4 FOUR RIBS EQUALLY SPACED, NO SPECIFIC ORIENTATION. NO RIBS OR SIX RIBS EQUALLY SPACED, NO SPECIFIC ORIENTATION, OPTIONAL.



3-DIMENSIONAL MODEL NTS

MM	IN
27.43	1.080
11.68	.460
7.37	.290
5.59	.220
0.38	.015
0.13	.005
MM	IN

METRIC

DO NOT SCALE PRINT. UNLESS SPECIFIED DIMENSIONS IN mm [INCHES] TOLERANCES ON:		DR 3-9-92 K. WHITAKER		1-350867-0	
2 PLC DEC ± 0.13		CHK 3-9-92 R. SWING		PART NO	
3 PLC DEC ± -		APPD 3-10-92 D. SELF		AMP AMP Incorporated Harrisburg, PA 17105-3608	
ANGLES ± 0°30'		APPD 3-10-92 D. SELF		NAME	
MATERIAL		PRODUCT SPEC		PLUG, SINGLE CIRCUIT, UNIVERSAL MATE-N-LOK™	
NYLON, UL 94V-2 NATURAL		APPLICATION SPEC		SIZE	
FINISH		WEIGHT		CAGE CODE	
-		-		00779	
				DRAWING NO	
				350867	
		SCALE		SHEET	
		4:1		1 OF 1	