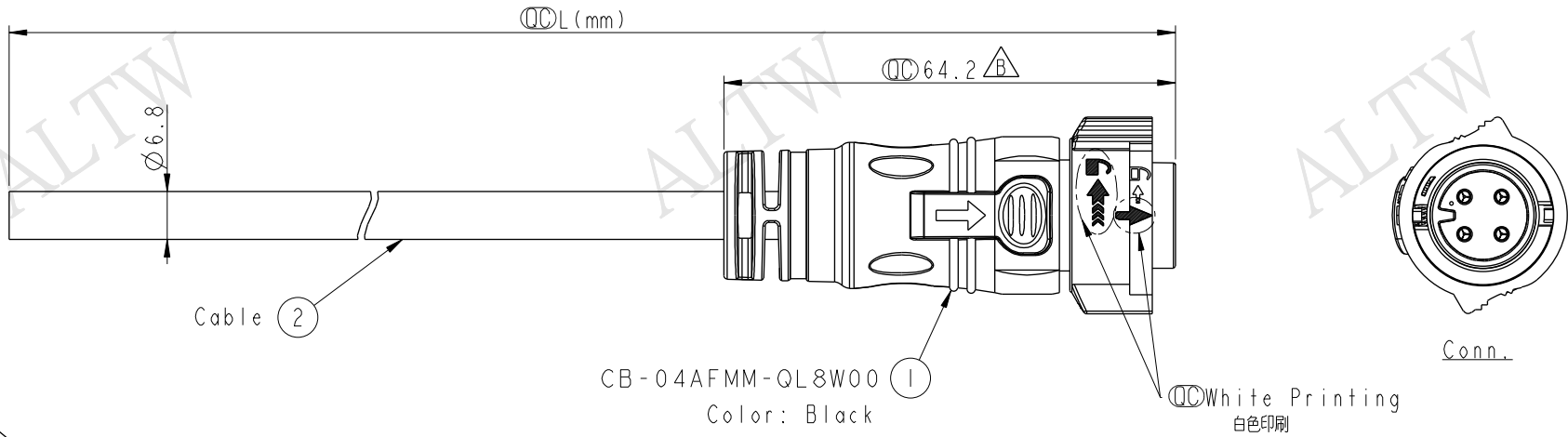


REV.	ECN NO.	DATE	SIGN	DESCRIPTION
B	LEN1680617	2016-08-03	Wes Fan	Modify Dimension.



CB-04AFMM-QL8W00  
Color: Black

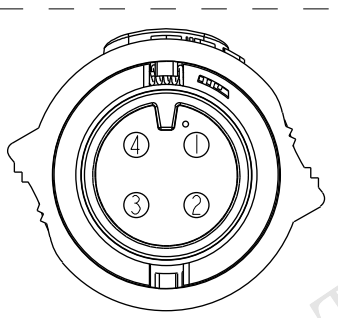
White Printing  
白色印刷

ALTW  
CONFIDENTIAL  
2016-08-03  
R&D DEPT.

ALTW  
DCC. DEPT.  
CONFIDENTIAL  
2016.08.17  
ISSUED

- Note:
- \*  $\varnothing$  Important Dimension To Check.
  - \* Working Voltage Rating: AC 300 V
  - \* Working Current Rating: 10A
  - \* Flame Class: UL94V-0 (UV Resistance)
  - \* Waterproof Rate: IP68(Mated).
  - \* Housing: Nylon+GF, Black.
  - \* Male Pin: Copper Alloy, Gold Plated
  - \* Cable: UL21388 16AWG\*4C+AL.Mylar Black,PVC Jacket UV Resistant, OD=6.8
  - \* Cable Length Tolerance: 01M:±40mm  
02M~05M:±60mm  
06M~10M:±100mm  
11M~30M:±200mm  
31M~99M:±500mm

CB-04AFMM-QL8DXX  
 XX : 01~99Meters  
 01 : 01Meter  
 02 : 02Meters  
 ...  
 99 : 99Meters



Pin Assignments  
Front View

4	Orange	橙
3	Red	紅
2	Brown	棕
1	Black	黑
Conn.	Wire Color	
	Pin Out	

UNIT:mm  
TOLERANCE ±0.5

TITLE X Lok C-Size Cable 4 Pin 10A F Conn. M Pin		
SCALE 1:1	SIZE A4	SHEET 1 OF 1
REV. B	WC-REV. A.4	$\varnothing$ : Inspection item

**Amphenol LTW**  
安費諾亮泰企業股份有限公司

ITEM NO	DRAWN BY Wes Fan	DATE 2016-08-03
DWG NO CB-04AFMM-QL8DXX	CHECKED BY Spring Liu	DATE 2016-08-03
CUSTOMER ALTW	APPROVED BY Kevin Hu	DATE 2016-08-03

THIS DOCUMENT IS SUBJECT TO CHANGE WITHOUT NOTICE. IT IS CONFIDENTIAL AND A PROPERTY OF AMPHENOL LTW. DISCLOSURE TO THIRD PARTY HAS TO BE AUTHORIZED BY AMPHENOL LTW.