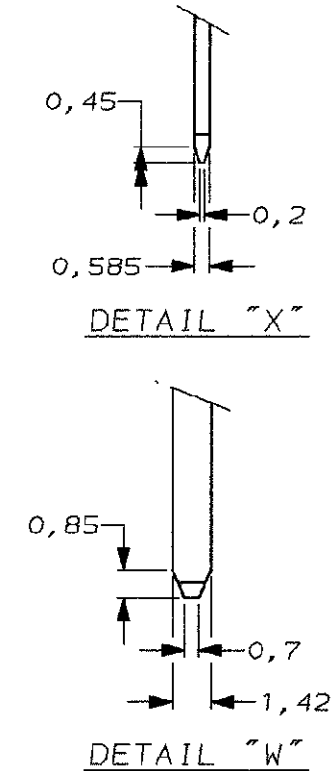
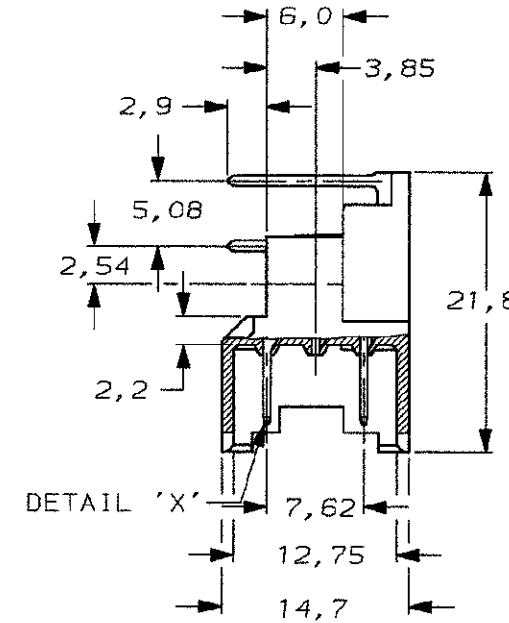
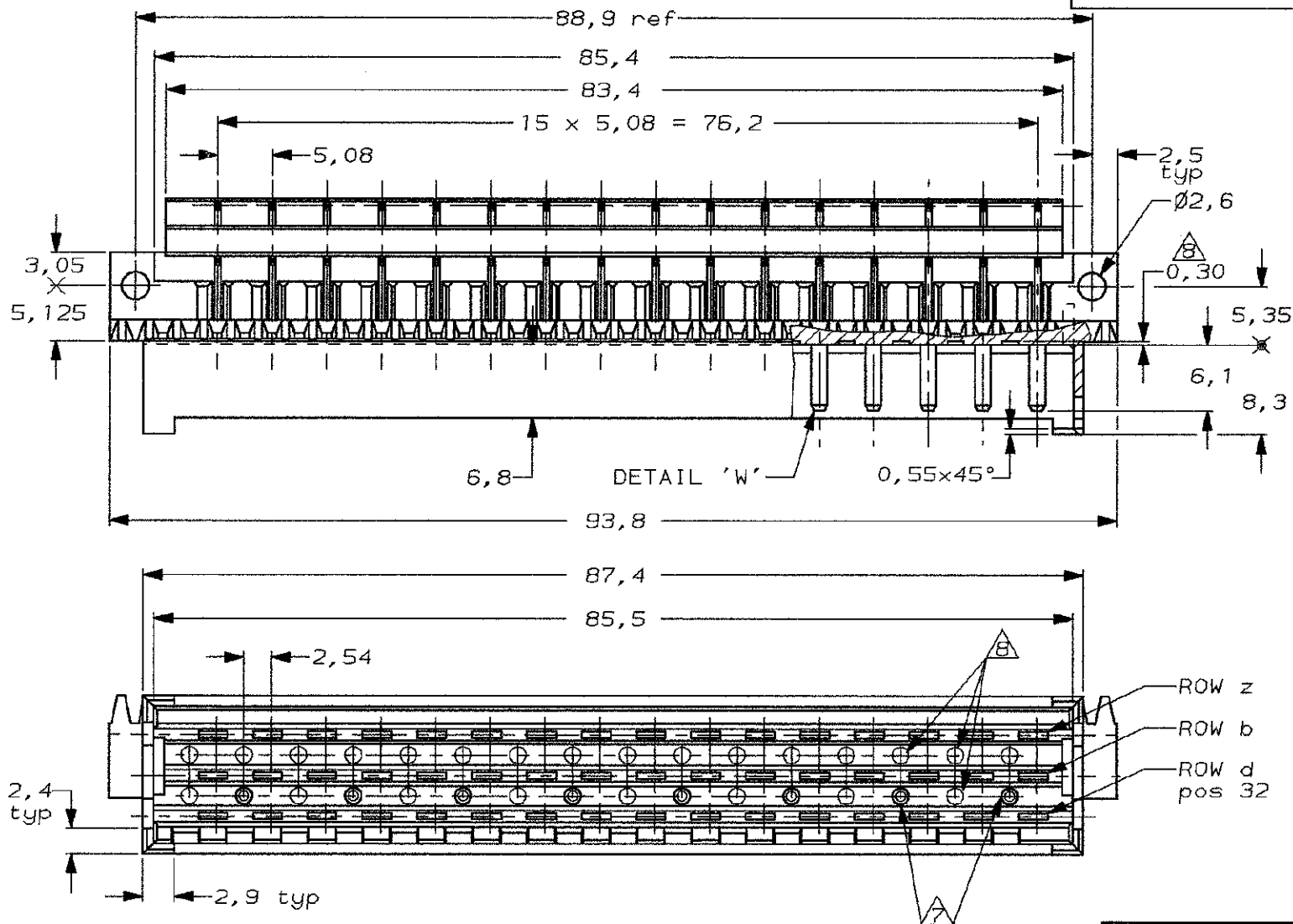


DO NOT SCALE
DIMENSIONS IN mm

METRIC

THIRD ANGLE
PROJECTION



POS. NO	2	4	6	8	10	12	14	16	18	20	22	24	26	28	30	32
N	X	X	X	X	X	X	X	X	X	X	X	X	X	X	X	X
F 48 ROW
Ø	X	X	X	X	X	X	X	X	X	X	X	X	X	X	X	

AN ASTERISK „X” DENOTES A FMLB CONTACT.

- NOTES
- 1 MATERIAL:
-HOUSING: THERMOPLASTIC POLYESTER, COLOR GREY.
-CONTACTS: BRASS.
 - 2 PLATING CONTACT: 1,25 µm Au OVER 1,25 µm Ni IN CONTACT AREA.
Sn/Pb over 1,25 µm Ni ON SOLDER POST.
 - 3 PLATING CONTACT: 0,8 µm Au OVER 1,25 µm Ni IN CONTACT AREA.
Sn/Pb over 1,25 µm Ni ON SOLDER POST.
 - 4 PLATING CONTACT: 2,0 µm Au OVER 1,25 µm Ni IN CONTACT AREA.
Sn/Pb over 1,25 µm Ni ON SOLDER POST.
 - 5 PLATING CONTACT: 0,4 µm Au OVER 1,25 µm Ni IN CONTACT AREA.
Sn/Pb over 1,25 µm Ni ON SOLDER POST.
 - 6 SOLDER POSTS SUITABLE FOR P.C.B. HOLES
0,8±0,05 OR 1,0±0,1 DIA.
 - 7 8 HOLES SUITABLE FOR KEYING PIN PN. 215916-1.
 - 8 KEYING HOLES TO BE DRILLED BY CUSTOMER.

2--8 OBSOLETE	SEE NOTE 5	SEE NOTE 1	2-164306-8
2--7 OBSOLETE	SEE NOTE 4	SEE NOTE 1	2-164306-7
	SEE NOTE 3		2-164306-4
	SEE NOTE 2		2-164306-1

	FINISH	MATERIAL	PARTNUMBER
-	-	-	-
CUSTOMER DRAWING			FOR REFERENCE ONLY WILL NOT BE UPDATED
© COPYRIGHT 19- BY AMP HOLLAND B.V. ALL INTERNATIONAL RIGHTS RESERVED. AMP PRODUCTS MAY BE COVERED BY U.S. AND FOREIGN AND/OR PATENTS PENDING. THIS DRAWING IS UNPUBLISHED RELEASED FOR PUBLICATION ,19			
H	EH-0467-96	J.G. J.G. 21-05-97	AMP HOLLAND B.V. s-Hertogenbosch, The Netherlands.
G	EH-1261-95	J.G. R.v.L 24-10-95	
F	H-9853	R.v.L J.v.G 31.03.93	
LTR.	REVISION RECORD	DR. CHK. DATE	32 POS. DIN 41612 F MALE 90° SOLDER CONNECTOR
DR. : R.v.Lokven	CHK. : GIBBELS	APP. : -	DWG.No. C-164306
DATE: 31.03.93	DATE: 27-5-97	DATE: -	REV.LTR. H SHEET 1 OF 1