

10 9 8 7 6 5 4 3 2 1

F

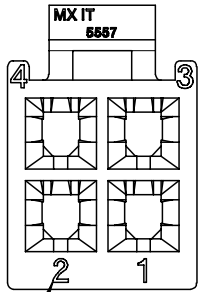
E

D

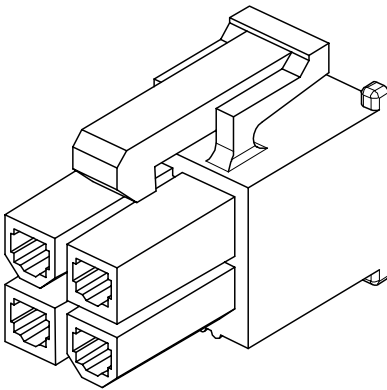
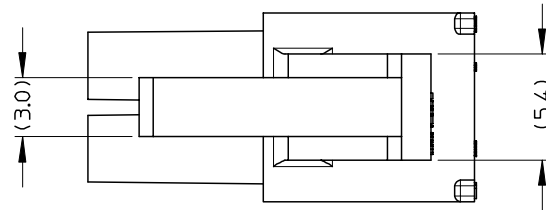
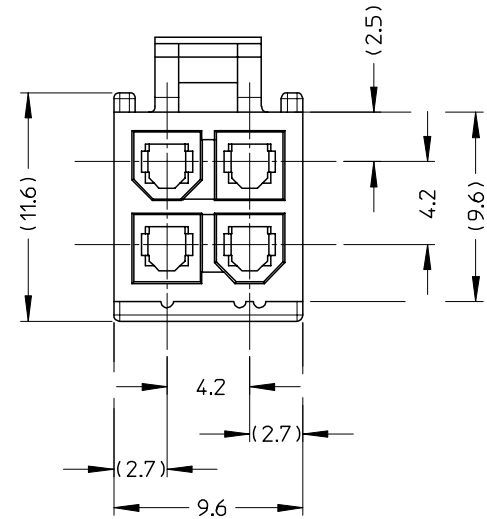
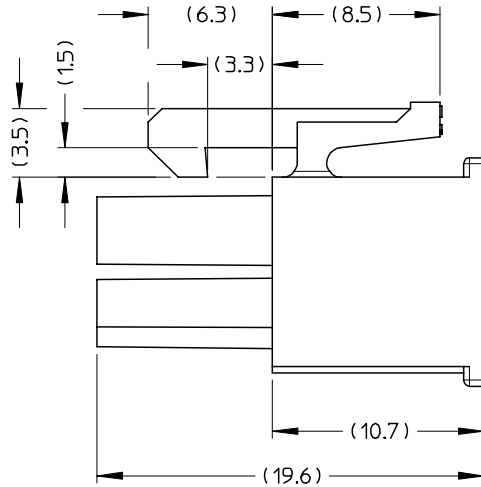
C

B

A



CIRCUIT NO.



NOTES:

- 1) MATERIAL: PA46 UL 94 V2
- 2) COLOR: BLACK
- 3) ACCEPTS TERMINALS 5556 SERIES
- 4) MATES WITH 5559, 5566, 5569, 501566 SERIES
- 5) REFERENCE SPECIFICATION: PS-5557-003
- 6) THE HOUSING SHALL WITHSTAND 1000 HOURS @ 105°C WITHOUT LOSING ITS FUNCTIONALITY
- 7) DIMENSIONS BETWEEN BRACKETS ARE FOR REFERENCE ONLY
- 8) PACKAGING: PLASTIC BAGS IN CARTON BOXES (S.P.Q.: 10000 PCS/BOX)

STD. DESCR.: HOUSING 4 CKT

EC NO: Z2006-0108 DRWN: SBARBIERI 2006/02/13 CHKD: RSANDANO 2006/02/13 APPR: FBISELLO 2006/02/13	QUALITY SYMBOLS ▽=0 ◻=0	GENERAL TOLERANCES (UNLESS SPECIFIED)		DIMENSION STYLE MM ONLY		SCALE 4:1	DESIGN UNITS METRIC	FIRST ANGLE PROJECTION		
			mm	INCH	DRAWN BY SBARBIERI	DATE 2005/12/20	TITLE MINI-FIT RECEPTACLE 4 CKT FOR HIGH TEMPERATURE MOLEX INCORPORATED			
		4 PLACES	± ---	± ---	CHECKED BY RSANDANO	DATE 2005/12/20				
		3 PLACES	± ---	± ---	APPROVED BY FBISELLO	DATE 2005/12/20	MATERIAL NO. 94557-9004			
2 PLACES	± ---	± ---	DRAFT WHERE APPLICABLE MUST REMAIN WITHIN DIMENSIONS		DOCUMENT NO. SD-94557-001		SHEET NO. 1 OF 1			
1 PLACE	± 0.2	± ---			SIZE A3		THIS DRAWING CONTAINS INFORMATION THAT IS PROPRIETARY TO MOLEX INCORPORATED AND SHOULD NOT BE USED WITHOUT WRITTEN PERMISSION			
ANGULAR ± 3 °										

9 8 7 6 5 4 3 2 1