

| | | |
|-------------------|------|---------------|
| CUSTOMER TERMINAL | RoHS | LEAD(Pb)-FREE |
| Sn96%, Ag4% | Yes | Yes |

more than you expect



ELECTRICAL SPECIFICATIONS @ 25°C unless otherwise noted:

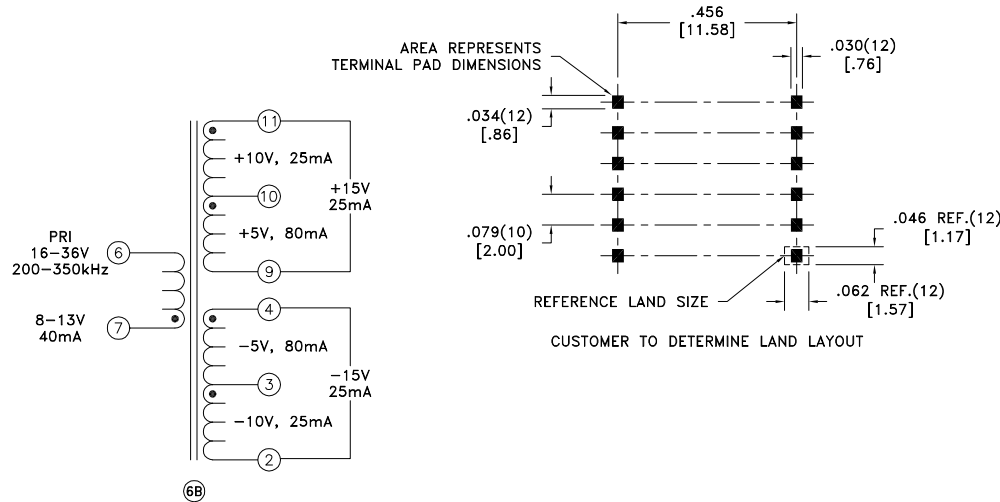
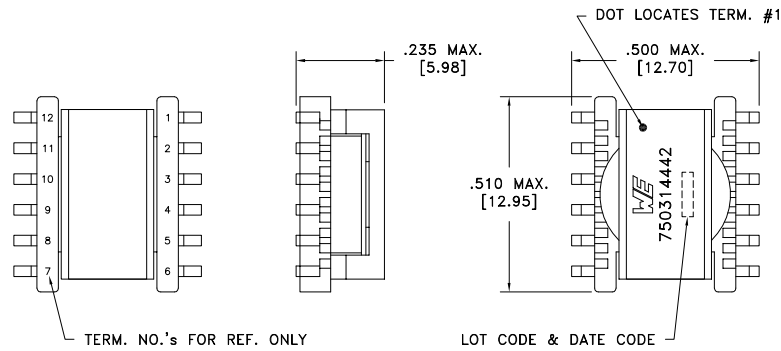
| PARAMETER | TEST CONDITIONS | VALUE |
|--------------------|---|-------------------|
| D.C. RESISTANCE | 11-10 @20°C | 0.153 ohms ±10% |
| D.C. RESISTANCE | 2-3 @20°C | 0.154 ohms ±10% |
| D.C. RESISTANCE | 7-6 @20°C | 0.383 ohms ±10% |
| D.C. RESISTANCE | 10-9 @20°C | 0.075 ohms ±10% |
| D.C. RESISTANCE | 3-4 @20°C | 0.076 ohms ±10% |
| INDUCTANCE | 7-6 10kHz, 100mVAC, Ls | 45.0uH ±10% |
| SATURATION CURRENT | 20% rolloff from initial | 780mA |
| LEAKAGE INDUCTANCE | 7-6 tie(2+3+4+9+10+11), 100kHz, 100mVAC, Ls | 930nH max. |
| DIELECTRIC | 7-9 tie(2+11), 1875VAC, 1 second | 1500VAC, 1 minute |
| URNS RATIO | (7-6):(11-10) | 1.041:1, ±1% |
| URNS RATIO | (7-6):(3-2) | 1.041:1, ±1% |
| URNS RATIO | (7-6):(10-9) | 2.083:1, ±1% |
| URNS RATIO | (7-6):(4-3) | 2.083:1, ±1% |

GENERAL SPECIFICATIONS:

OPERATING TEMPERATURE RANGE: -40°C to +125°C including temp rise.

Designed to comply with the following requirements as defined by IEC60950-1, EN60950-1, UL60950-1/CSA60950-1 and AS/NZS60950.1:

- Functional insulation.



Wire insulation & RoHS status not affected by wire color.
Wire insulation color may vary depending on availability.

DETAILS SUBJECT TO CHANGE

| | | | | | | |
|------|------|--|--|--|-------------------------------------|------------------------------|
| REV. | DATE | Packaging Specifications Method: Tape & Reel PKG-0757 www.we-online.com/midcom | | Tolerances unless otherwise specified: Angles: ±1° Fractions: ±1/64 Decimals: ±.005 [.13] Footprint: ±.005 [.13] | DRAWING TITLE TRANSFORMER | PART NO. 750314442 |
| 6B | 2/15 | | | This drawing is dual dimensioned. Dimensions in brackets are in millimeters. | eiSos p/n: 750314442 | |
| 6A | 9/14 | SEE REVISION SHEET FOR REVISION LEVEL | | | | SPECIFICATION SHEET 1 OF 1 |