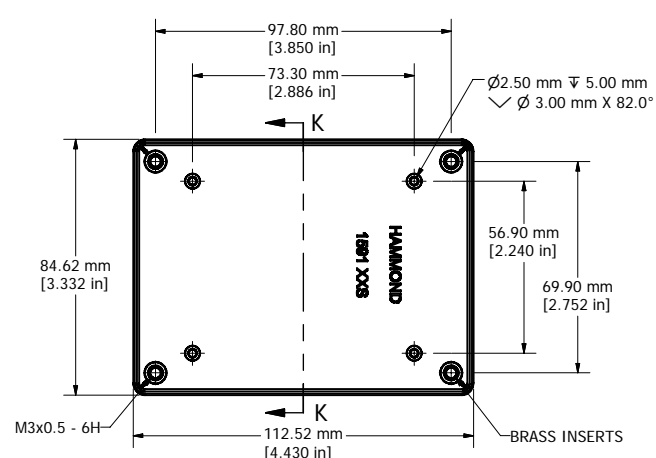
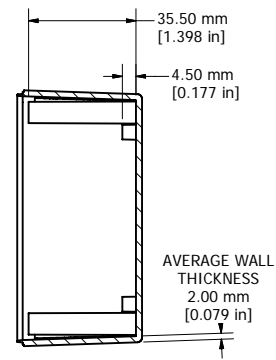


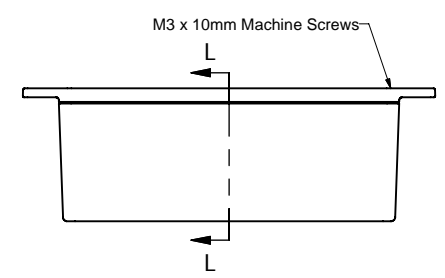
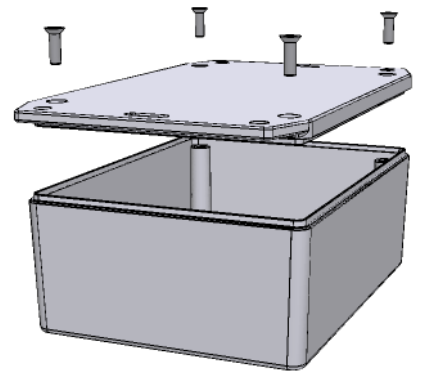
SIDE VIEW OF BOX



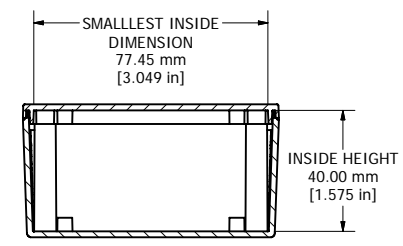
TOP VIEW OF BOX



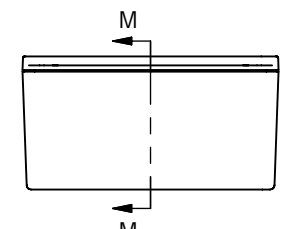
SECTION K-K



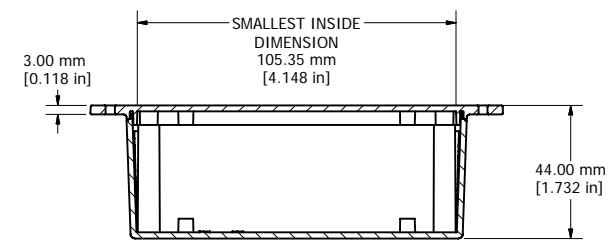
SIDE VIEW OF ENCLOSURE



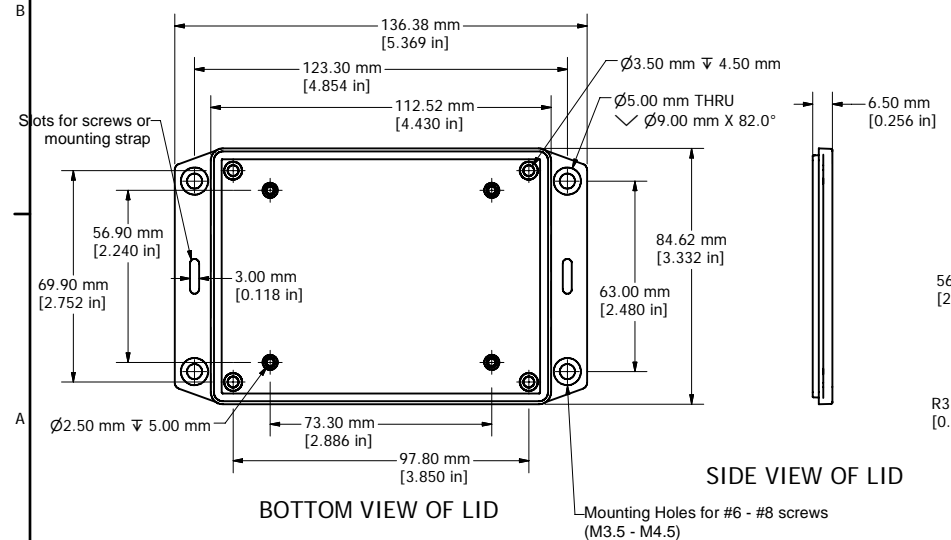
SECTION L-L



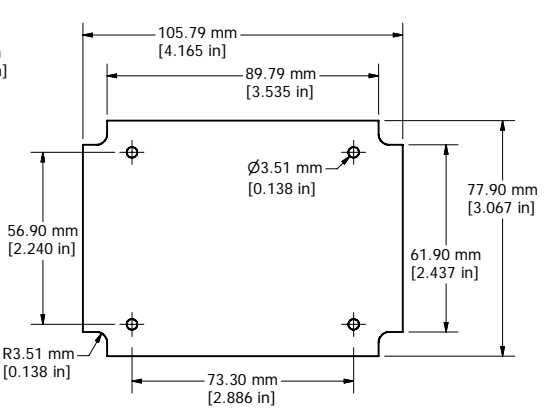
END VIEW OF ENCLOSURE



SECTION M-M



BOTTOM VIEW OF LID



MAX P.C. BOARD SIZE (NOT INCLUDED)

Enclosures can be Factory Modified (Milling, Drilling, Printing etc.)
 Solid models of this enclosure available in STEP or IGES.
 Contact Factory mjm@hammondmfg.com

NOTE	
Enclosure molded from FRABS UL 94-V0 Plastic.	
Brass Inserts Included	
Other materials / colours available consult factory.	
1591XXSFL	
1591XXSFL Box Enclosure	
Black Enclosure - RAL 7011	1591XXSFLBK
Gray Enclosure - RAL 7002	1591XXSFLGY
ACCESSORIES	
Lid Screws M3 x 0.5 - H6 Black	1591MS100BK (Pkg 100)
Lid Screws M3 x 0.5 - H6 Standard	1591MS100 (Pkg 100)
P.C. Board Screws (All Boxes)	
P.C. Board Screws	1593ATS50 (Pkg 50)
[#4 x 1/4" self-tapping (6.4mm)]	1593ATS100 (Pkg 100)

