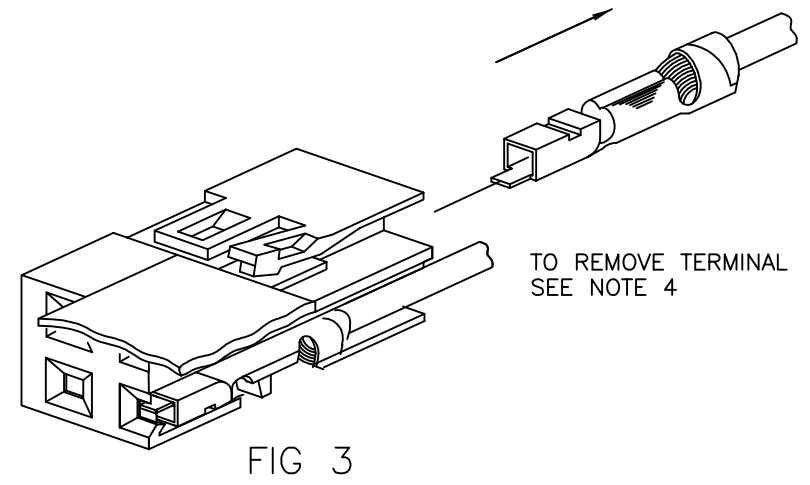
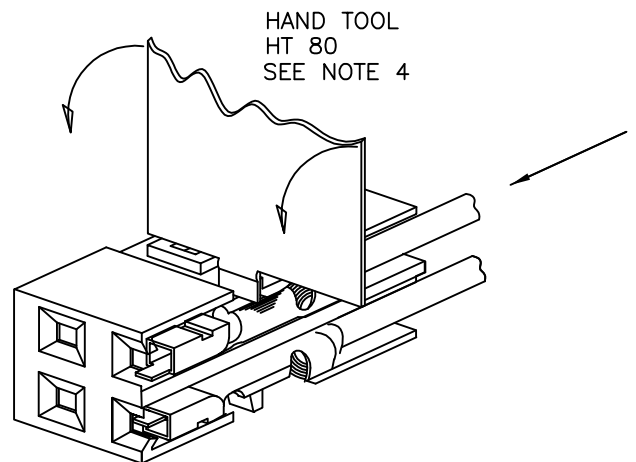
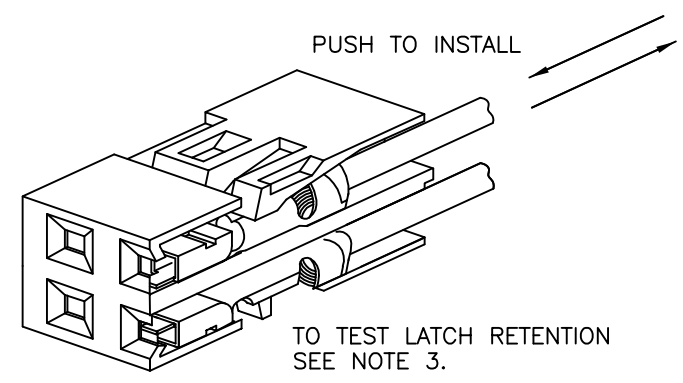
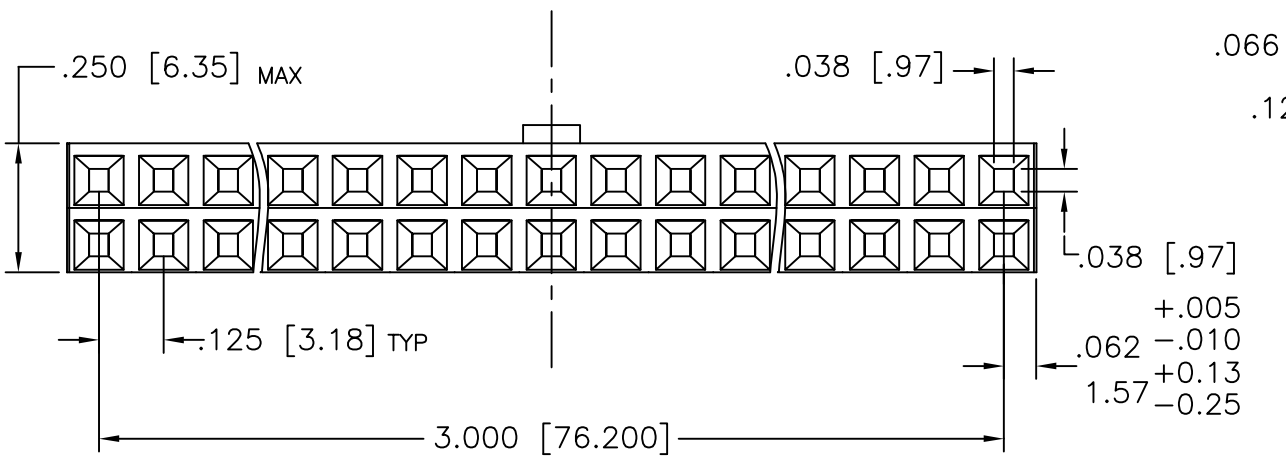
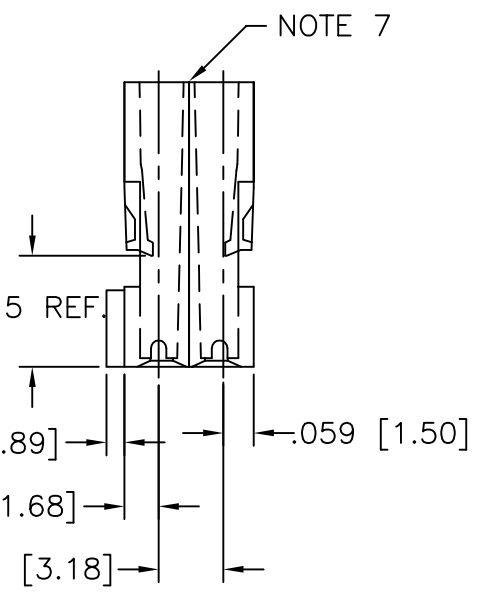
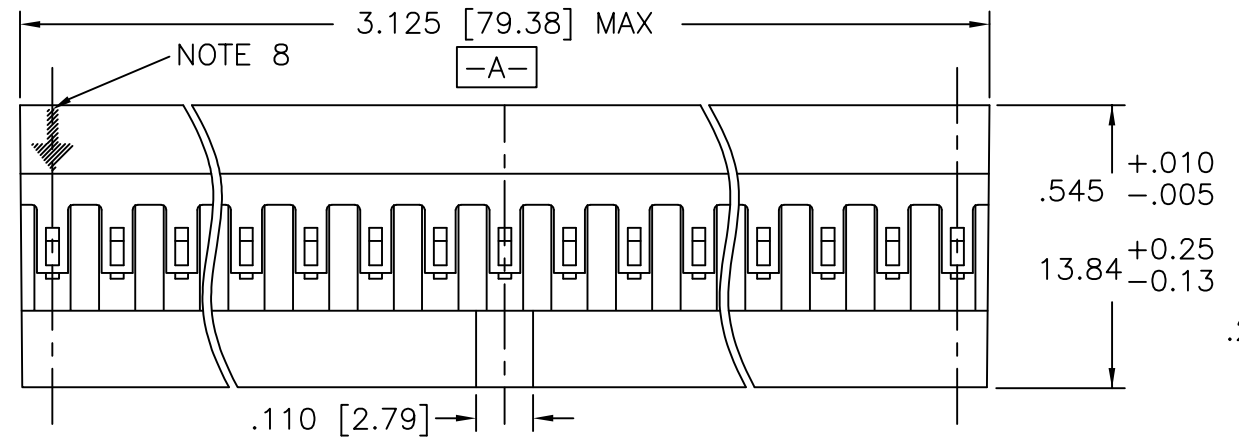


PRODUCT NO.
 10023290-025 — OBSOLETE
 10023290-025LF

NOTES:

- ① MOLDING MATERIAL—MODIFIED POLYPHENYLENE ETHER, COLOR: BLACK, MEETING UL-94V-0.
2. PIN LENGTH TO BE .210[5.33] MIN. RECOMMENDED PIN LENGTH IS .225±.015 [5.72 ±.38]
- ③ TO LATCH TERMINAL—PUSH AS SHOWN IN FIGURE #1, BE SURE THAT LATCH SNAPS DOWN.
- ④ TO REMOVE TERMINAL—PUSH TERMINAL FORWARD. LIFT LATCH WITH HANDTOOL AS SHOWN IN FIG.#2 & 3. DAMAGE TO LATCH CAN OCCUR IF LIFTED MORE THAN 25° ANGLE TO TOP OF HOUSING.
5. SEE MINI PV™ TERMINAL TA-75 FOR CORRECT CRIMP HEIGHT FOR EACH DIFFERENT WIRE SIZE. IF THIS SPECIFICATION IS NOT MET LATCHING WILL NOT BE SATISFACTORY. PRODUCT SPECIFICATION: BUS-12-067.
6. THIS HOUSING IS INTENDED FOR USE WITH FCI ELECTRONICS MINI PV™ TERMINAL AND FCI C.T.W. MALE PIN WITH 22-26 A.W.G. WIRE.
- ⑦ MOLDING IS PRIMARY MANUFACTURING METHOD, SOLVENT BONDING IS OPTIONAL.
- ⑧ ARROW MARKED ON HOUSING INDICATES POSITION #1.
9. PRODUCT MEETS EUROPEAN UNION DIRECTIVES AND OTHER COUNTRY REGULATIONS AS DESCRIBED IN GS-22-008.
10. THIS PRODUCT IS NOT INTENDED TO BE EXPOSED TO MANUFACTURING SOLDER PROCESSES.



| | | | | | | | | | |
|---------------------------|----------------|-----|------------|---------------------------------------|--------------|----------------------|-------------------------------|-------------------------------|--|
| mat'l. code SEE NOTE 1 | | | | surface ✓ | tolerance | projection | product family PV HOUSINGS | | |
| ltr | ecn no | dr | date | tolerances unless otherwise specified | angles | linear | INCH/MM | title | |
| A | V03-0376 | HTB | 2003-04-02 | | | .XX±.01/.X±.3 | | MINI LATCH HOUSING W/KEY | |
| B | V03-0453 | HTB | 2003-04-22 | | | .XXX±.005/.XX±.13 | | .125 [3.18] X .125 [3.18] | |
| C | V03-1363 | PJ | 2004-02-21 | 10°±2' | | .XXXX±.0020/.XXX±.00 | scale 2:1 | dwg no | |
| D | V05-0718 | TAB | 2005-07-20 | dr | L. POTTEIGER | 2003-03-20 | FCI | sheet 1 of 1 size | |
| E | V06-0407 | HTB | 2006-04-20 | engr | H. SUNDY | 2003-03-20 | | 10023290 A3 | |
| F | V07-0534 | HTB | 2007-08-22 | chr | H. SUNDY | 2003-03-20 | | type Product Customer Drawing | |
| | | | | appd | H. SUNDY | 2003-03-20 | | | |
| sheet index | revision sheet | F | 1 | | | | | | |



Copyright FCI