

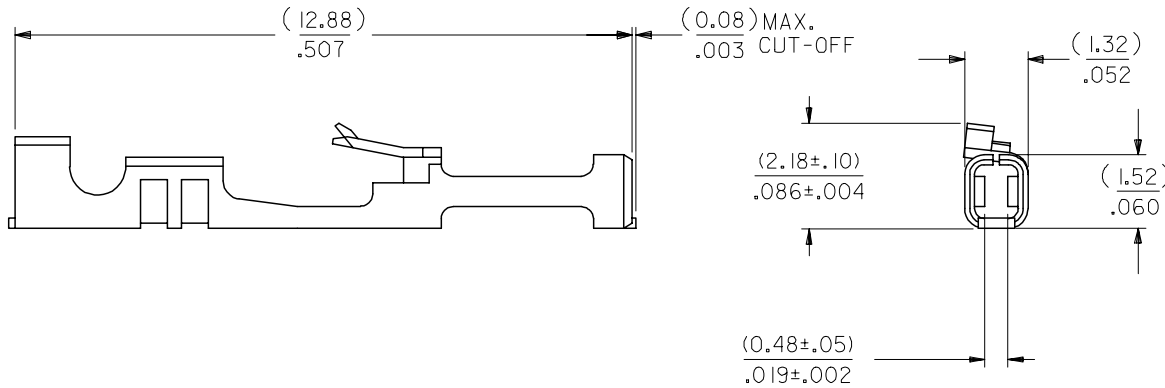
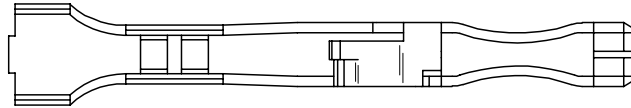
**NOTES:**

1. TERMINAL TO BE USED IN HOUSINGS 70066-\*\*\*\* AND 70450-\*\*\*\*
2. REFER TO PRODUCT SPECIFICATION PS-71851
3. REFER TO MOLEX OPERATIONS AND SERVICE MANUAL FOR CRIMP DETAILS
4. TERMINAL TO BE USED WITH (0.64)/.025 SQUARE PINS
5. TERMINAL TO BE USED WITH 24-30 AWG STRANDED WIRE WITH (1.52)/.060 MAX. DIA. INSULATION
6. TERMINALS SUPPLIED IN REEL FORM

**PLATING:**

.000150 MINIMUM TIN PLATE  
OVER NICKEL PLATE.

\*THE PRIMARY SHIPPING CARTON WILL BE LABELED "COMPLIANT TO  
RoHS DIRECTIVE 2002/95/EC AND ELV ANNEX II OF DIRECTIVE 2000/53/EC".  
CARTONS WITHOUT THIS LABEL MAY CONTAIN PRODUCT WITH LEAD.



INITIAL RELEASE EC NO: UCP2005-1611 DRWN:MS IBARRA 2005/04/04 CHKD:DMORGAN 2005/04/04 APPR:SMILLER 2005/04/08	DESCRIPTION A	QUALITY SYMBOLS ▽=0 ▽=0	GENERAL TOLERANCES (UNLESS SPECIFIED)		DIMENSION STYLE IN/MM		SCALE 10:1	DESIGN UNITS INCH	THIRD ANGLE PROJECTION	
			mm	INCH	DRAWN BY	DATE	TITLE			
		4 PLACES	± ---	± ---	MS IBARRA	05/02/02	TERMINAL-BOX/CRIMP HIGH FORCE CONTACT			
		3 PLACES	± ---	± .010	CHECKED BY	DATE				
2 PLACES	± 0.25	± .014	DMORGAN	05/02/02	MOLEX INCORPORATED					
1 PLACE	± 0.35	± ---	APPROVED BY	DATE						
		ANGULAR ±1/2°	SMILLER	05/02/02	MATERIAL NO.		DOCUMENT NO.		SHEET NO.	
			DRAFT WHERE APPLICABLE MUST REMAIN WITHIN DIMENSIONS		016-02-1112		SD-71851-0004		1 OF 1	
			SIZE B	THIS DRAWING CONTAINS INFORMATION THAT IS PROPRIETARY TO MOLEX INCORPORATED AND SHOULD NOT BE USED WITHOUT WRITTEN PERMISSION						