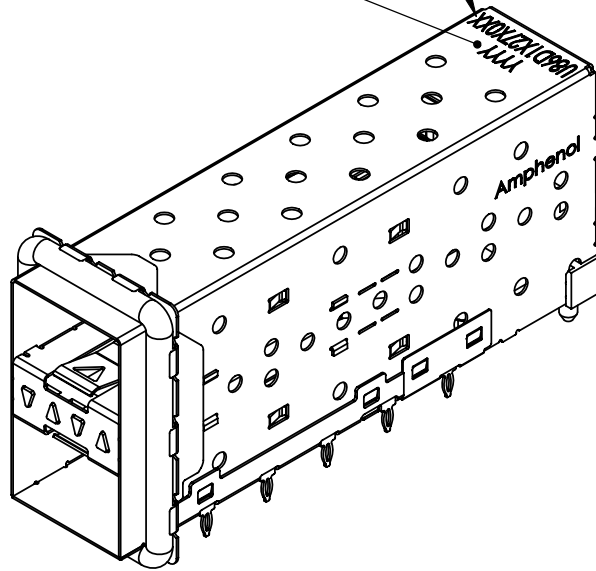




PART NUMBER  
(LAST DIGIT INDICATING  
PACKAGING TYPE, NOT  
PRINTED ON THE PART)

DATE CODE



**AMPHENOL PART NUMBER CONFIGURATION**

U86 - D 1 4 2 7 - X 0 X X 1

**LIGHT PIPE CONFIGURATION**

- 1 = 4 LIGHT PIPES
- 2 = 2 INNER LIGHT PIPES
- 3 = 2 OUTER LIGHT PIPES

**PRESS FIT CONNECTOR PLATING**

- 1 = 0.76 µm MIN. GOLD ON MATING AREA
- 3.81-7.62 µm TIN/LEAD ON TERMINATION
- 4 = 0.38 µm MIN. GOLD ON MATING AREA
- 3.81-7.62 µm TIN/LEAD ON TERMINATION

**PACKAGING**

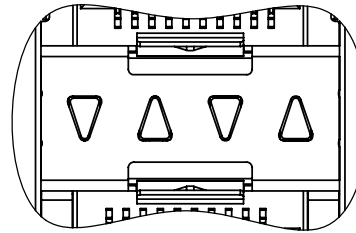
- 1 = TRAY

**CAGE PLATING**

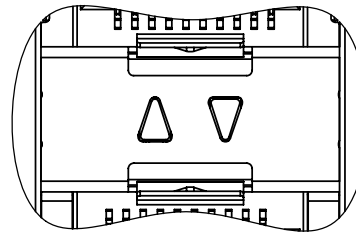
- 2 = NICKEL

**DO NOT SCALE DRAWING**

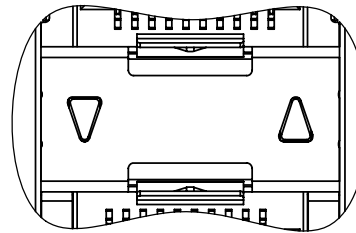
THIS DOCUMENT CONTAINS PROPRIETARY INFORMATION AND SUCH INFORMATION MAY NOT BE DISCLOSED TO OTHERS FOR ANY PURPOSE OR USED FOR MANUFACTURING PURPOSES WITHOUT PERMISSION FROM AMPHENOL CANADA CORP.



U86-D1427-10XX1  
4 LIGHT PIPES



U86-D1427-20XX1  
2 INNER PIPES



U86-D1427-30XX1  
2 OUTER PIPES

REVISIONS			
REV	DESCRIPTION	DATE	APPRD
A	PROPOSAL DRAWING	MAY27/09	

**NOTES:**

**MATERIAL:**

CAGE - PRESS FIT:  
COPPER ALLOY

PLATING:  
SEE AMPHENOL PART NUMBER  
CONFIGURATION FOR OPTIONS.

CONNECTOR - PRESS FIT:

PLASTIC HOUSING:  
LCP, FLAMMABILITY RATING UL94-0.

CONTACTS:  
PHOSPHOR BRONZE PLATING OPTION:  
NICKEL 2.54 µm MIN.

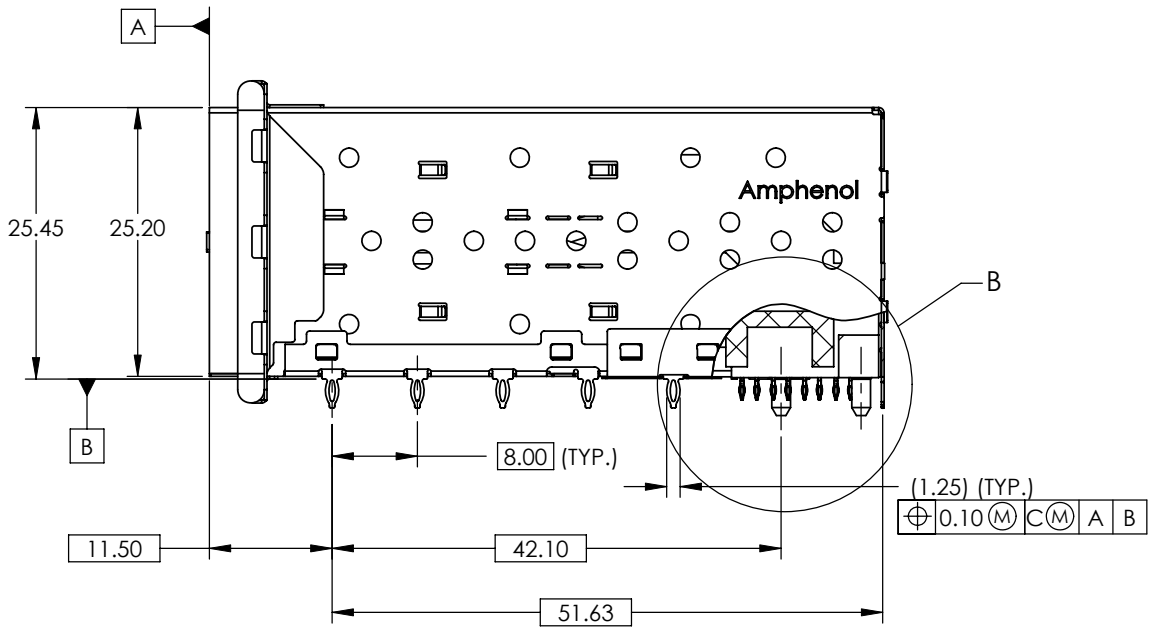
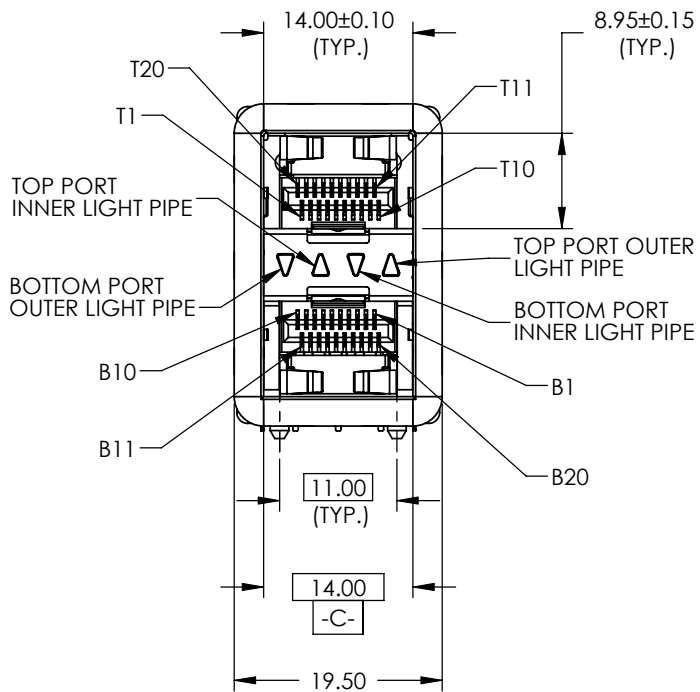
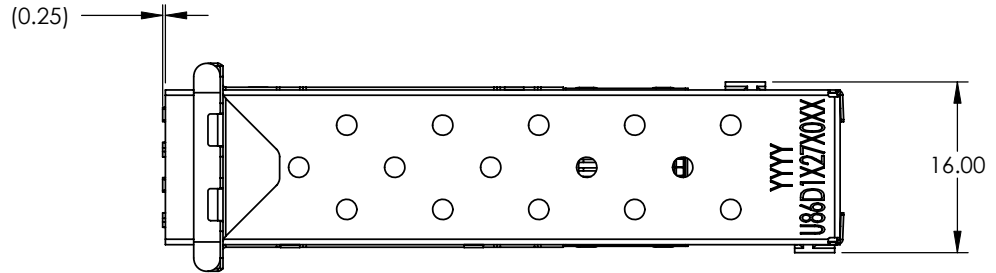
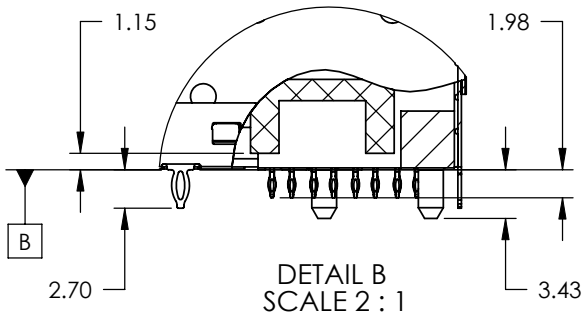
LIGHT PIPE:  
CLEAR POLYCARBONATE, FLAMMABILITY  
RATING UL94-0.

PACKAGING:  
TRAY PACKAGING.

TEMPERATURE RANGE:  
-40°C TO +85°C

UNLESS OTHERWISE SPECIFIED DIMENSIONS ARE IN MILLIMETERS TOLERANCES ARE: DECIMALS                      ANGLES X.X ± 0.25                      ± 1° X.XX ± 0.15 MATERIAL AND FINISH N/A REF.                                      X CODE IDENT. NO.                      03554	<b>APPROVALS</b>		<b>DATE</b>		<b>Amphenol Canada Corp.</b>  TITLE 2X1 SFP+ ULTRA-PORT COMBO WITH LIGHT PIPE (ELASTOMERIC EMI GASKET)  SIZE <b>A4</b> DWG. NO.    P-U86-D1427-X0XX1    REV.    A SCALE    3:2                      PROJECT                      SHEET    1 OF 4
	DRAWN	J.SI	FEB23/09		
	DESIGNED	J.SI	FEB23/09		
	CHECKED	X	X		
	QA APPD	X	X		
IE APPD	X	X			
DWG APPD					

REVISIONS			
REV	DESCRIPTION	DATE	APPRD
A	PROPOSAL DRAWING	MAY27/09	



**DO NOT SCALE DRAWING**

THIS DOCUMENT CONTAINS PROPRIETARY INFORMATION AND SUCH INFORMATION MAY NOT BE DISCLOSED TO OTHERS FOR ANY PURPOSE OR USED FOR MANUFACTURING PURPOSES WITHOUT PERMISSION FROM AMPHENOL CANADA CORP.

UNLESS OTHERWISE SPECIFIED DIMENSIONS ARE IN MILLIMETERS TOLERANCES ARE:

DECIMALS ANGLES  
 X.X ± 0.25 ± 1°  
 X.XX ± 0.15

MATERIAL AND FINISH

N/A

REF. X

CODE IDENT. NO. 03554

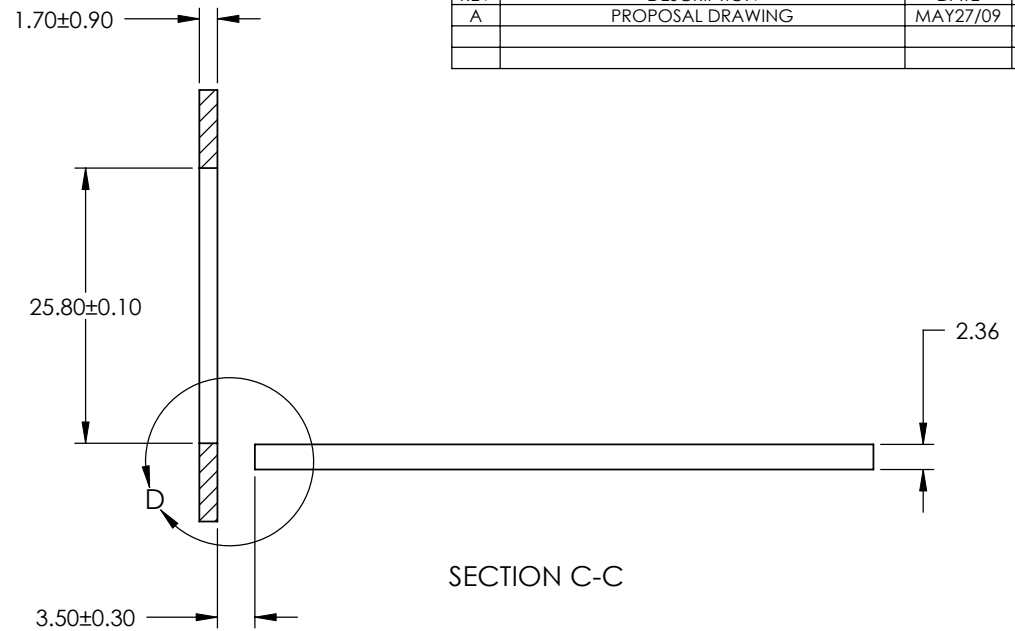
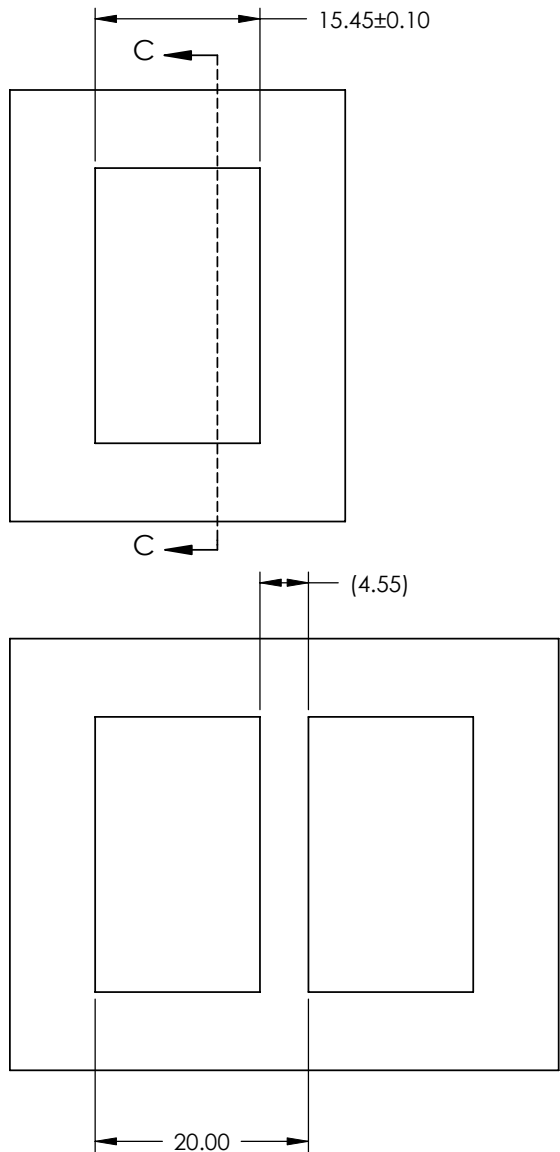
APPROVALS		DATE
DRAWN	J.SI	FEB23/09
DESIGNED	J.SI	FEB23/09
CHECKED	X	X
QA APPD	X	X
IE APPD	X	X
DWG APPD		

**Amphenol Canada Corp.**

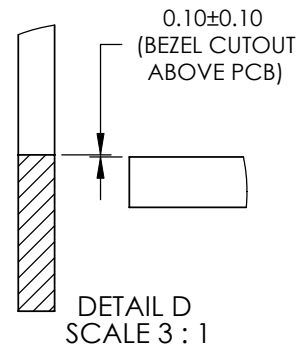
TITLE  
 2X1 SFP+ ULTRA-PORT COMBO  
 WITH LIGHT PIPE  
 (ELASTOMERIC GASKET)

SIZE A4 DWG. NO. P-U86-D1427-X0XX1 REV. A

SCALE 1.5:1 PROJECT SHEET 2 OF 4



SECTION C-C



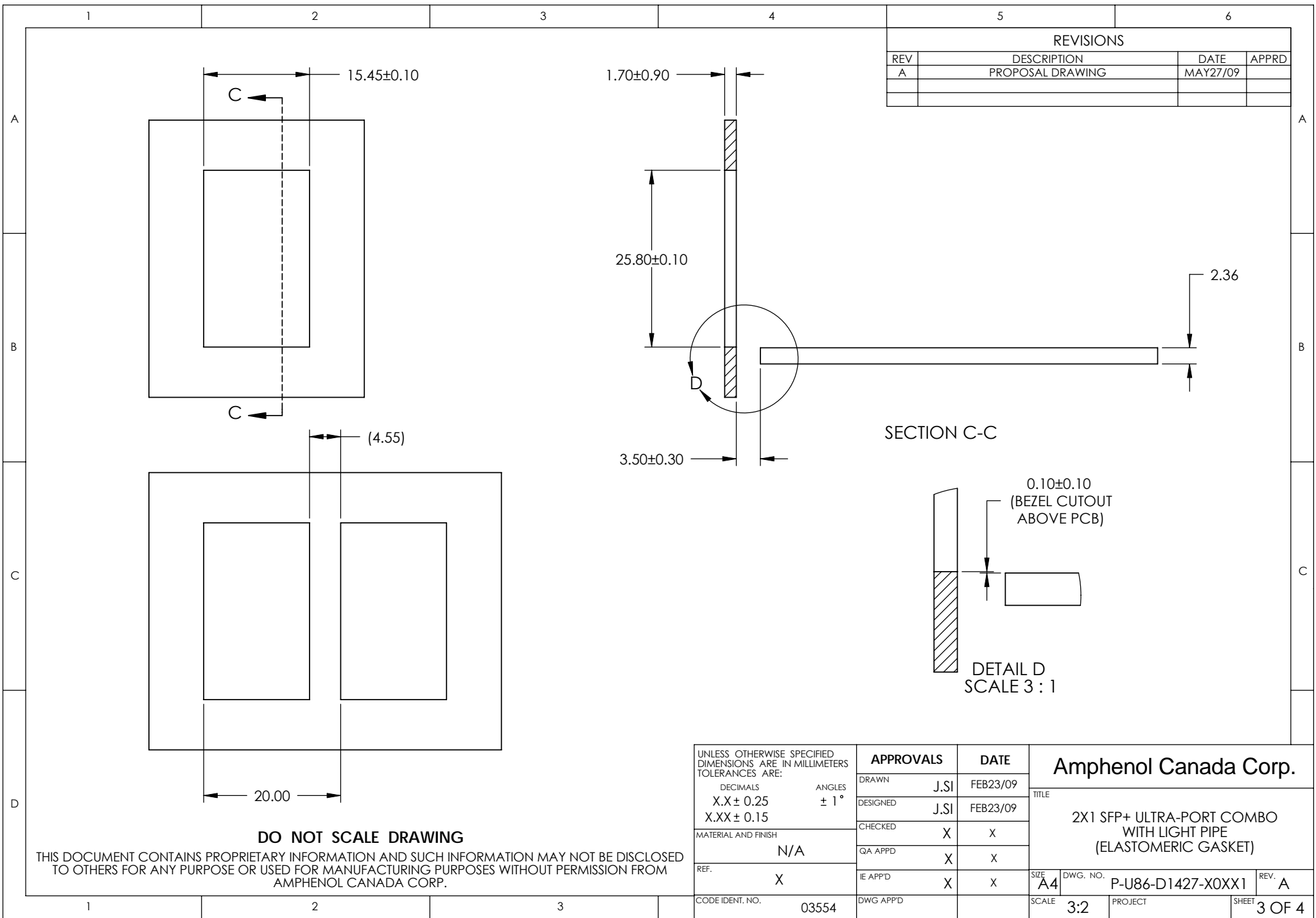
DETAIL D  
SCALE 3 : 1

REVISIONS			
REV	DESCRIPTION	DATE	APPRD
A	PROPOSAL DRAWING	MAY27/09	

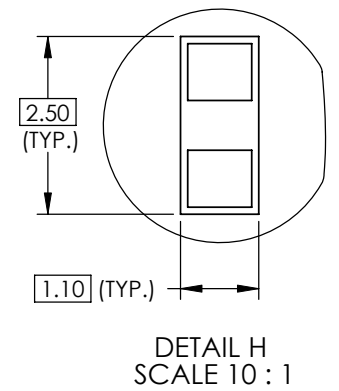
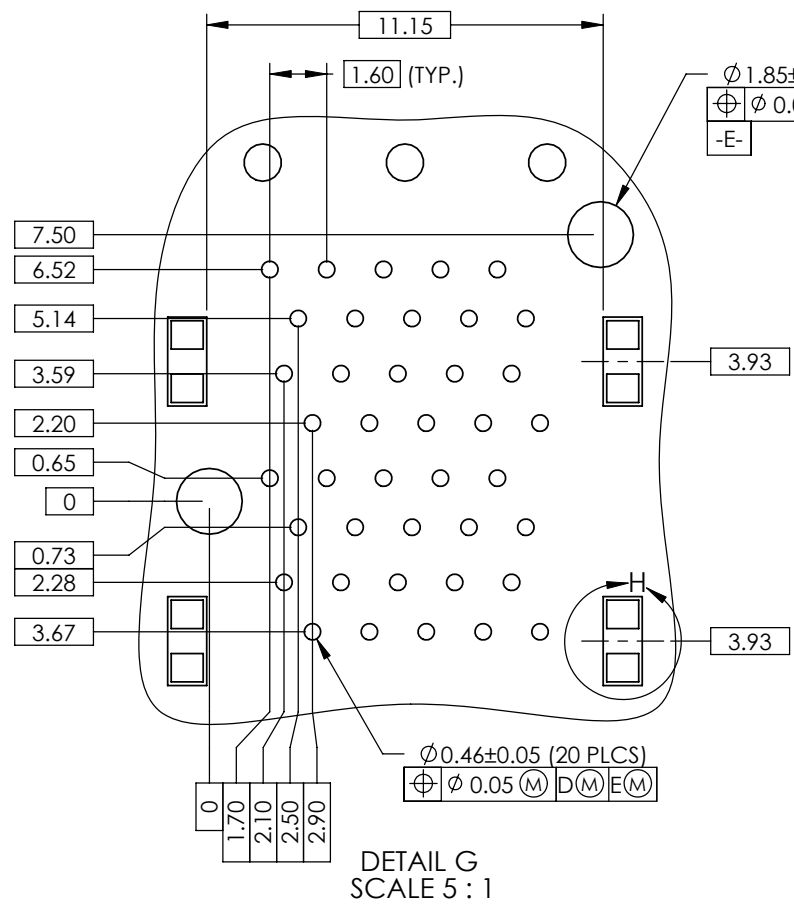
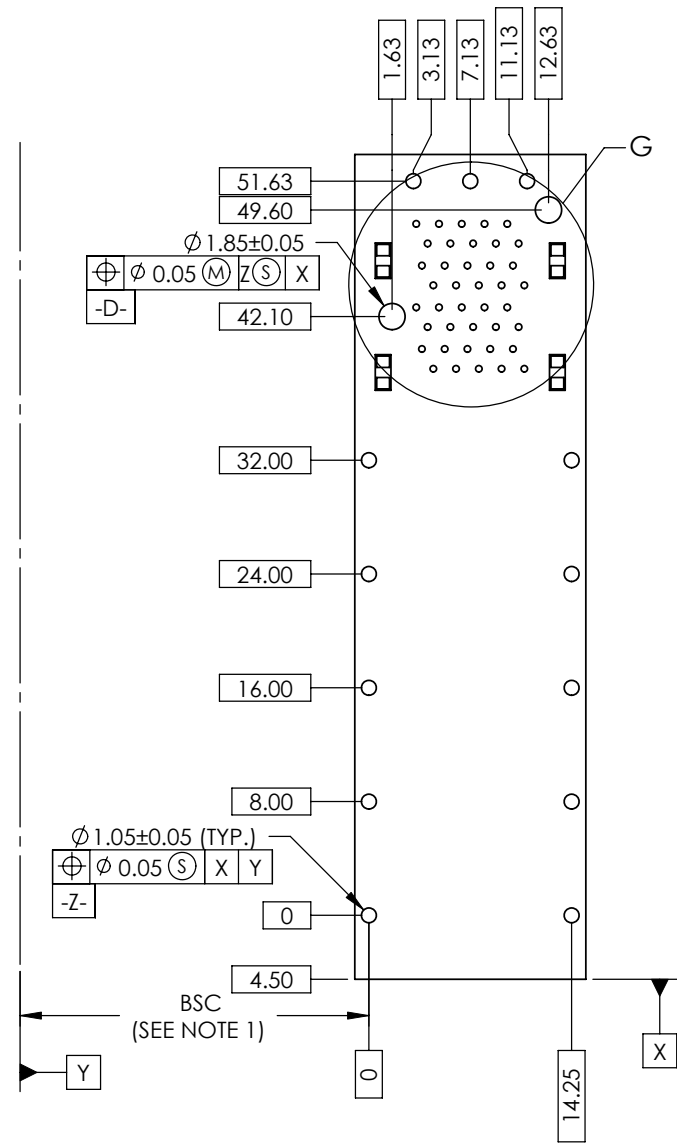
UNLESS OTHERWISE SPECIFIED DIMENSIONS ARE IN MILLIMETERS TOLERANCES ARE:  DECIMALS                      ANGLES X.X ± 0.25                      ± 1° X.XX ± 0.15	<b>APPROVALS</b>		<b>DATE</b>	<b>Amphenol Canada Corp.</b>  TITLE <b>2X1 SFP+ ULTRA-PORT COMBO WITH LIGHT PIPE (ELASTOMERIC GASKET)</b>
	DRAWN	J.SI	FEB23/09	
	DESIGNED	J.SI	FEB23/09	
	CHECKED	X	X	
	QA APPD	X	X	
MATERIAL AND FINISH N/A				
REF. X	IE APPD	X	X	
CODE IDENT. NO. 03554	DWG APPD			SIZE <b>A4</b> SCALE <b>3:2</b>
				DWG. NO. <b>P-U86-D1427-X0XX1</b> REV. <b>A</b>
				PROJECT SHEET <b>3 OF 4</b>

**DO NOT SCALE DRAWING**

THIS DOCUMENT CONTAINS PROPRIETARY INFORMATION AND SUCH INFORMATION MAY NOT BE DISCLOSED TO OTHERS FOR ANY PURPOSE OR USED FOR MANUFACTURING PURPOSES WITHOUT PERMISSION FROM AMPHENOL CANADA CORP.



REVISIONS			
REV	DESCRIPTION	DATE	APPRD
A	PROPOSAL DRAWING	MAY27/09	



DETAIL H  
SCALE 10 : 1

- NOTES:
- DATUM AND BASIC DIMENSIONS ESTABLISHED BY CUSTOMER.
  - 1.05 mm DIAMETER HOLES ARE CHASSIS GROUND (13 HOLES).

DETAIL G  
SCALE 5 : 1

**DO NOT SCALE DRAWING**

THIS DOCUMENT CONTAINS PROPRIETARY INFORMATION AND SUCH INFORMATION MAY NOT BE DISCLOSED TO OTHERS FOR ANY PURPOSE OR USED FOR MANUFACTURING PURPOSES WITHOUT PERMISSION FROM AMPHENOL CANADA CORP.

UNLESS OTHERWISE SPECIFIED DIMENSIONS ARE IN MILLIMETERS TOLERANCES ARE:		<b>APPROVALS</b>		<b>DATE</b>	<b>Amphenol Canada Corp.</b>	
DECIMALS	ANGLES	DRAWN	J.SI	FEB23/09		
X.X ± 0.25	± 1°	DESIGNED	J.SI	FEB23/09		
X.XX ± 0.15		CHECKED	X	X		
MATERIAL AND FINISH	N/A	QA APPD	X	X		
REF.	X	IE APPD	X	X	TITLE	
CODE IDENT. NO.	03554	DWG APPD			2X1 SFP+ ULTRA-PORT COMBO WITH LIGHT PIPE (ELASTOMERIC GASKET)	
					SIZE	A4
					DWG. NO.	P-U86-D1427-X0XX1
					SCALE	2:1
					PROJECT	
					SHEET	4 OF 4
					REV.	A