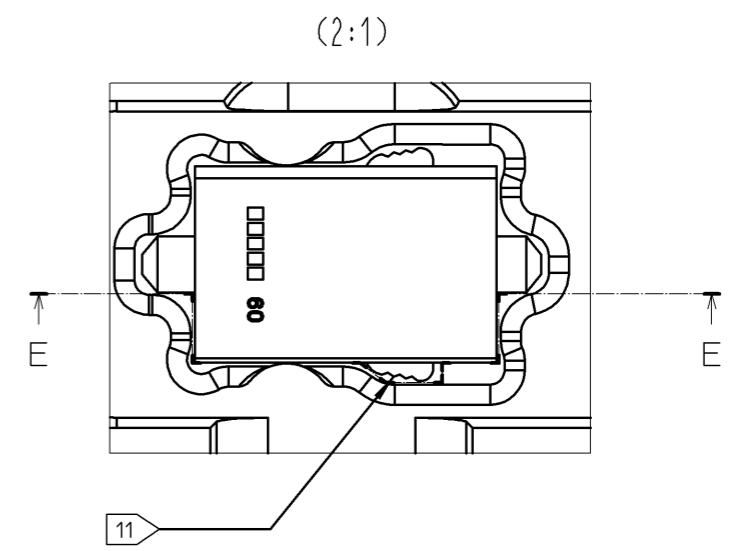
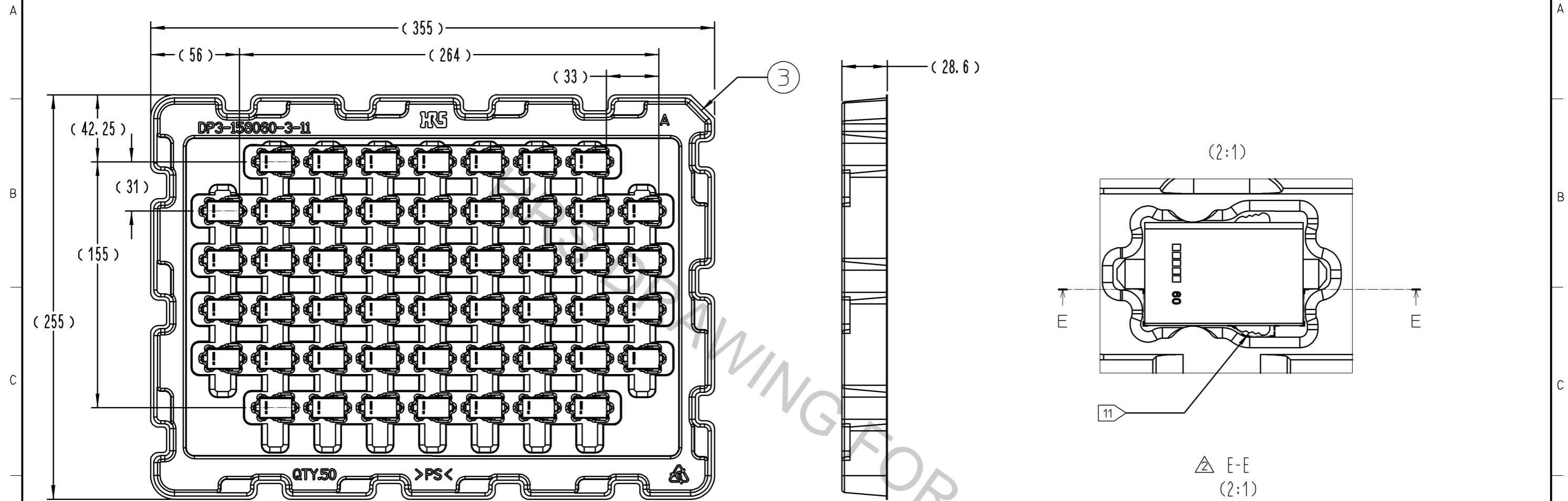
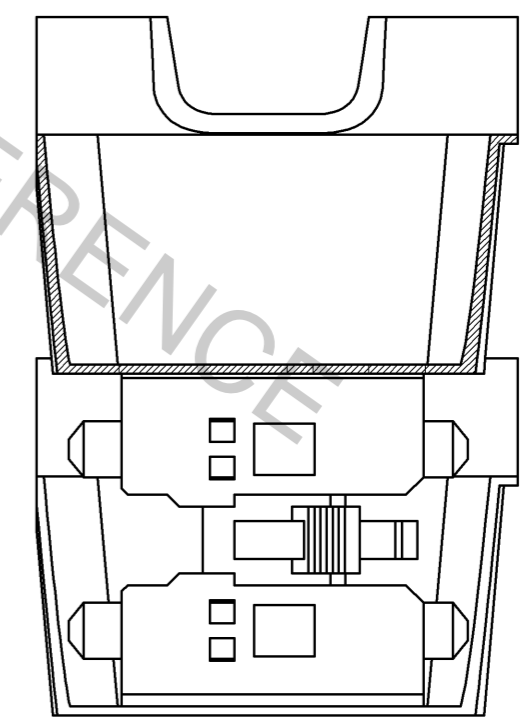




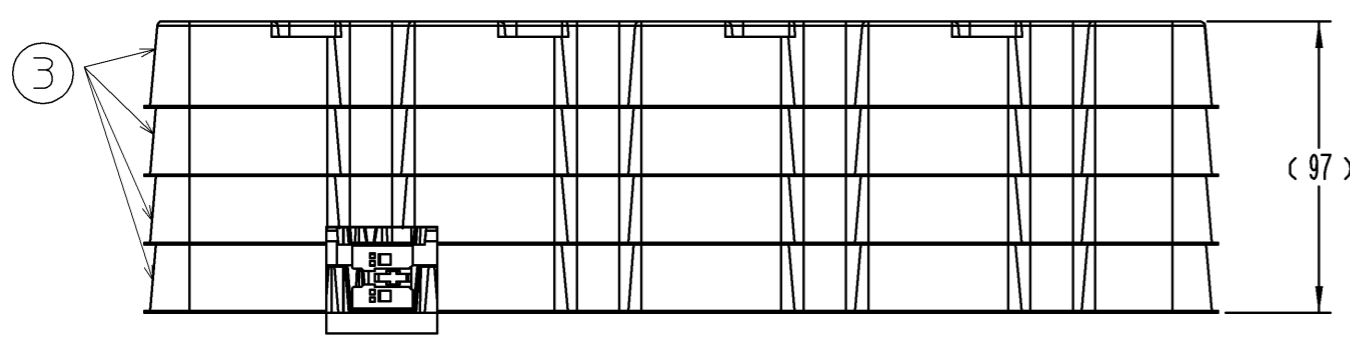
# TRAY PACKAGING DIMENSIONS



△ E-E  
(2:1)



△ STACKED TRAY DIMENSION  
SCALE: 2:5



(11) THE CONNECTOR IS PLACED IN THE POCKET OF THE TRAY AS SHOWN.

<b>HRS</b>	DRAWING NO.	EDC3-349549-01	△ 2/2
	PART NO.	IT-P-2P-25H(11)	
	CODE NO.	CL636-0607-6-11	

Aug.1.2018 Copyright 2018 HIROSE ELECTRIC CO., LTD. All Rights Reserved.  
In case that the application demands a high level of reliability, such as automotive, please contact a company representative for further information.