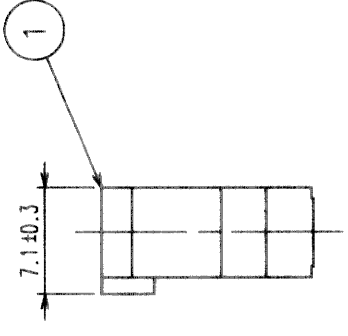
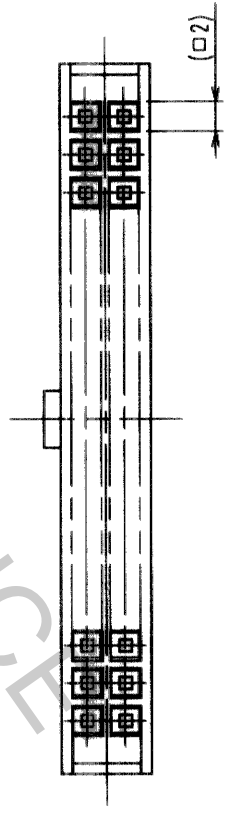
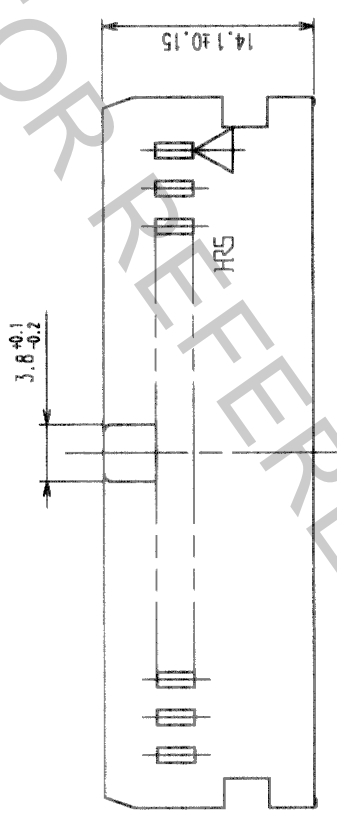
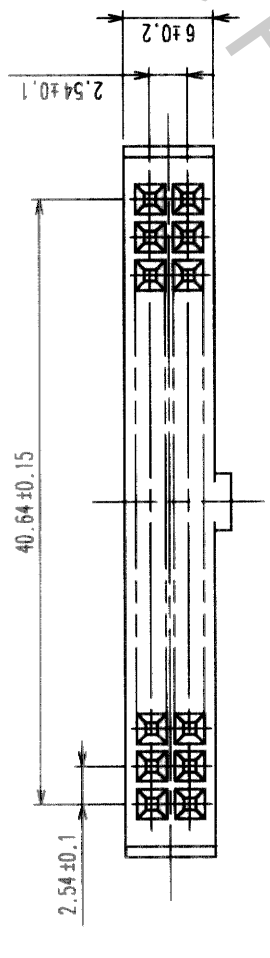
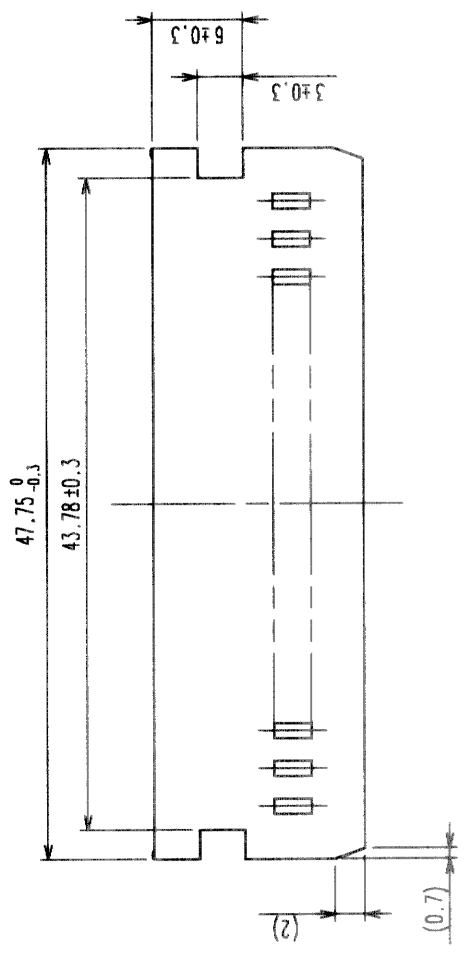


Oct.1.2018 Copyright 2018 HIROSE ELECTRIC CO., LTD. All Rights Reserved.
 3 In case that the application demands a high level of reliability, such as automotive,
 please contact a company representative for further information.

6		7		8			
BY	CHKD	DESCRIPTION OF REVISIONS	COUNT	DESCRIPTION OF REVISIONS	BY	CHKD	DATE



HRS DRAWING FOR REFERENCE

TO	
PCK	

NO.	MATERIAL	FINISH, REMARKS	1		BLACK		UL94V-0	
			PBT	NO.	MATERIAL	FINISH, REMARKS	APPROVED	RELEASED
CODE NO. (OLD)			DRAWN	DESIGNED	CHECKED	APPROVED	RELEASED	
			<i>S. Watanabe</i>	<i>S. Watanabe</i>	<i>H. Okawa</i>	<i>S. Watanabe</i>		
			00.04.17	00.04.17	00.04.18	00.04.18		
DRAWING NO.	EDC3-016428		PART NO.		HIF3C-34D-2.54C			
SCALE	2 : 1		CODE NO.		CL562-0132-9			
UNITS	MM		DRAWN		DESIGNED			
			<i>S. Watanabe</i>		<i>S. Watanabe</i>			
			00.04.17		00.04.18			

1	PBT	NO.	MATERIAL	FINISH, REMARKS	APPROVED	RELEASED

TO	
PCK	