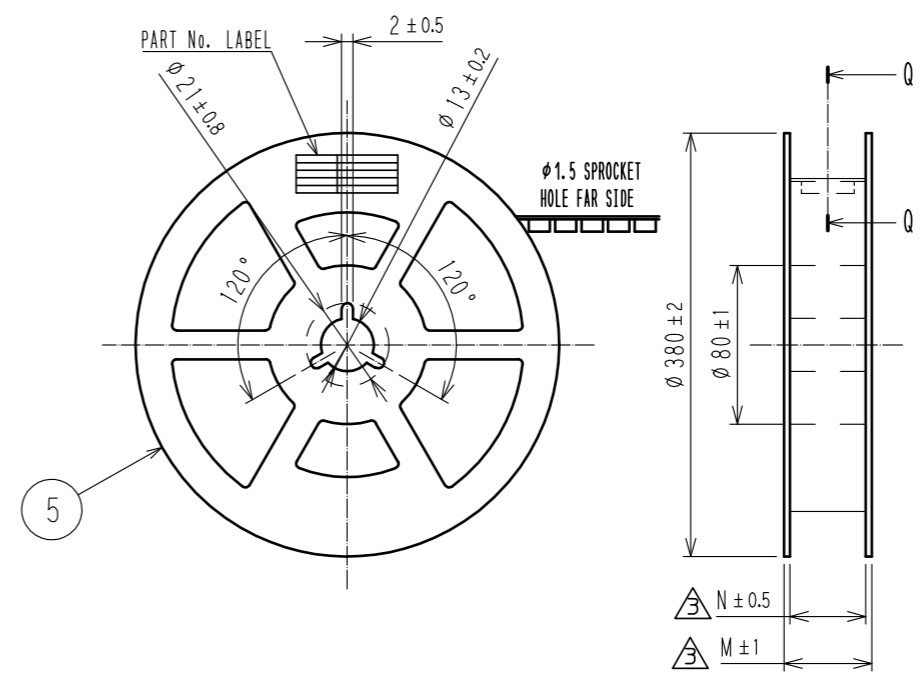
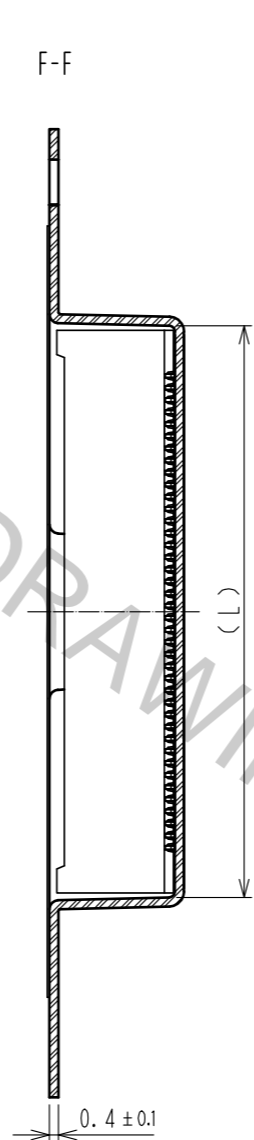
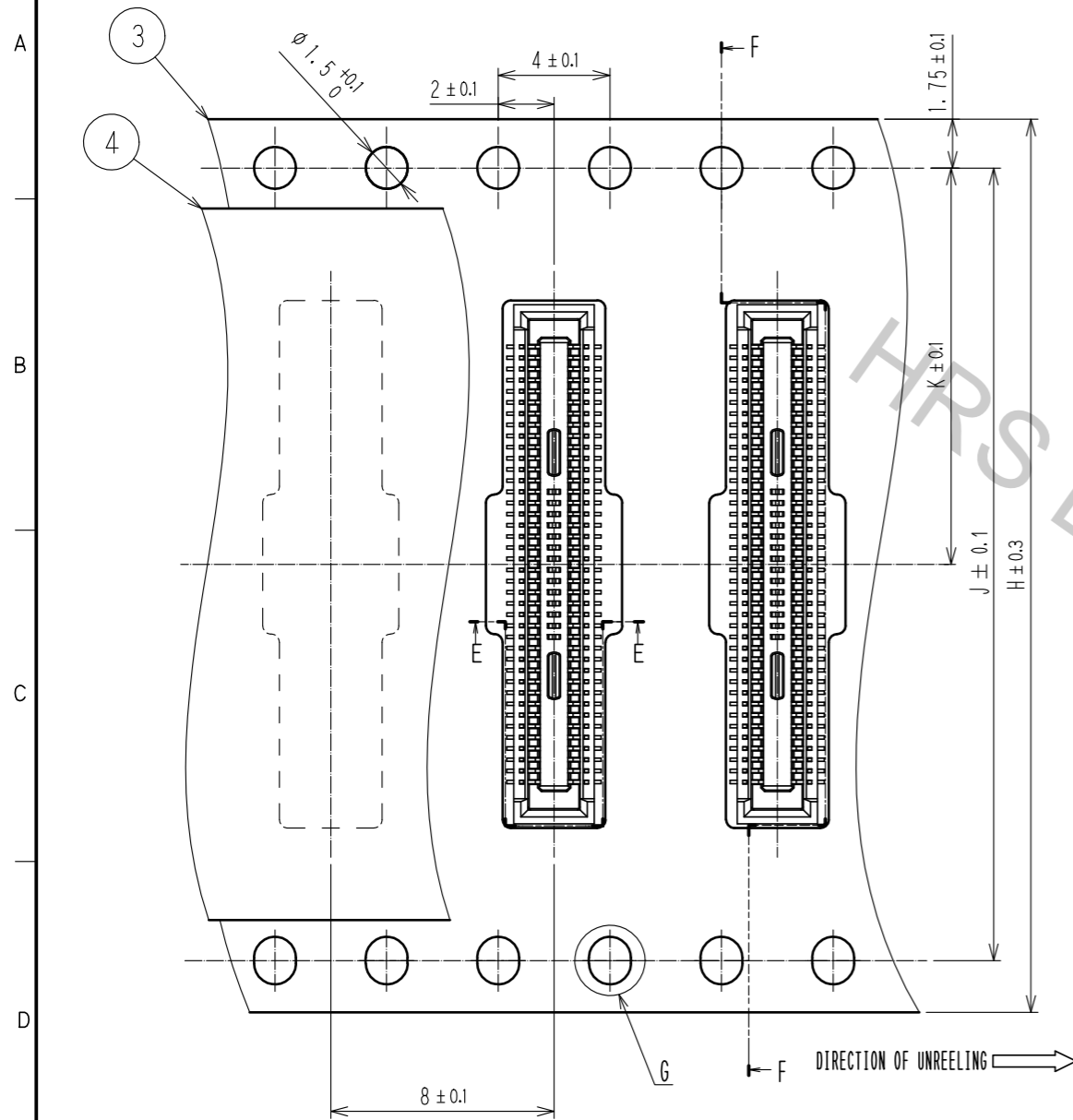


EMBOSSED CARRIER TAPE (5:1)

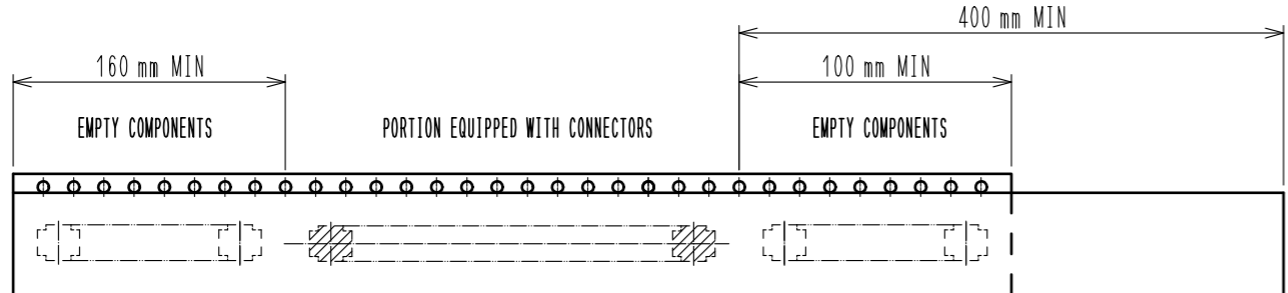
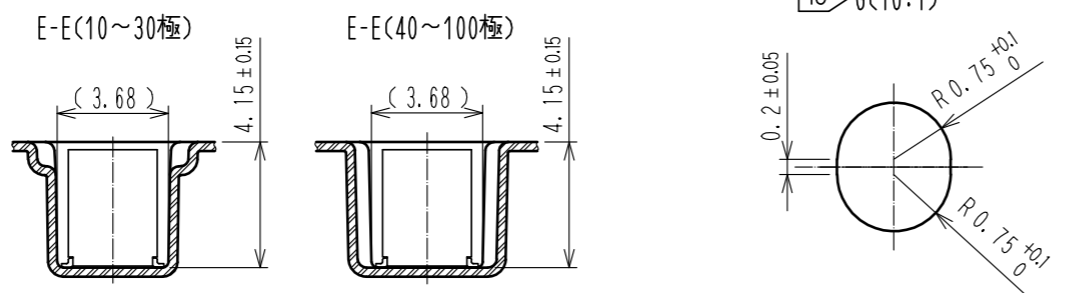
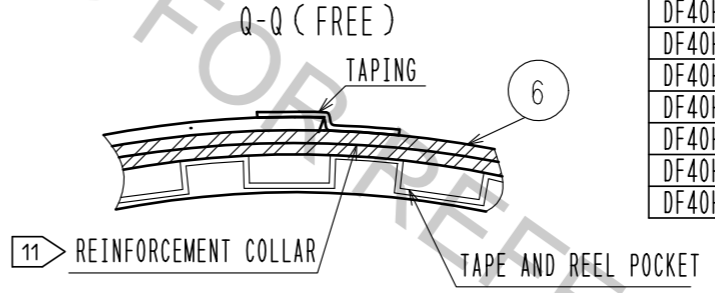
STYLE AND DIMENSION OF REEL (FREE SIZE)



9 DETAIL OF PART NO. LABEL

製造年月日	** ** *
製品コード	CL684-****-51
製品名	DF40HC(4.0)-*DS-0.4V(51)
数量	2000
納入者	ヒロセ電機(株)

PART No.	H	J	K	L	M	N
DF40HC(4.0)-10DS-0.4V(51)	16	—	7.5	4.9	21.5	17.5
DF40HC(4.0)-20DS-0.4V(51)	16	—	7.5	6.9	21.5	17.5
DF40HC(4.0)-24DS-0.4V(51)	16	—	7.5	7.7	21.5	17.5
DF40HC(4.0)-30DS-0.4V(51)	24	—	11.5	8.9	29.5	25.5
DF40HC(4.0)-40DS-0.4V(51)	24	—	11.5	10.9	29.5	25.5
DF40HC(4.0)-50DS-0.4V(51)	24	—	11.5	12.9	29.5	25.5
DF40HC(4.0)-60DS-0.4V(51)	24	—	11.5	14.9	29.5	25.5
DF40HC(4.0)-80DS-0.4V(51)	32	28.4	14.2	18.9	37.5	33.5
DF40HC(4.0)-90DS-0.4V(51)	44	40.4	20.2	20.9	49.5	45.5
DF40HC(4.0)-100DS-0.4V(51)	44	40.4	20.2	22.9	49.5	45.5



- NOTES)
- PER REEL 2000 CONNECTORS.
 - THE DIMENSIONS IN PARENTHESES ARE FOR REFERENCE.
 - REFER TO JIS C 0806(PACKING OF COMPONENTS FOR AUTOMATIC HANDLING)
 - DETAIL OF PART NO. LABEL IS WRITTEN IN JAPANESE.
 PRODUCTION DATE:
 PRODUCT CODE: CL684-****-51
 PART NUMBER: DF40HC(4.0)-*DS-0.4V(51)
 NUMBER OF PIECES: 2000 PIECES
 SUPPLIER NAME: HIROSE ELECTRIC CO., LTD.
 - 20 TO 60 POSITIONS EMBOSSED CARRIER TAPE HAS THE SPROCKET HOLE ON ONE SIDES.
 - AFTER PACKAGING, ROLL 2 METERS OF THE REINFORCEMENT COLLAR TO OUTER CIRCUMFERENCE OF TAPE AND REEL POCKET, AND TAPE DOWN AT THE END THE COLLAR.

HRS	DRAWING NO.	EDC3-318049-01
	PART NO.	DF40HC(4.0)-*DS-0.4V(51)
	CODE NO.	CL684