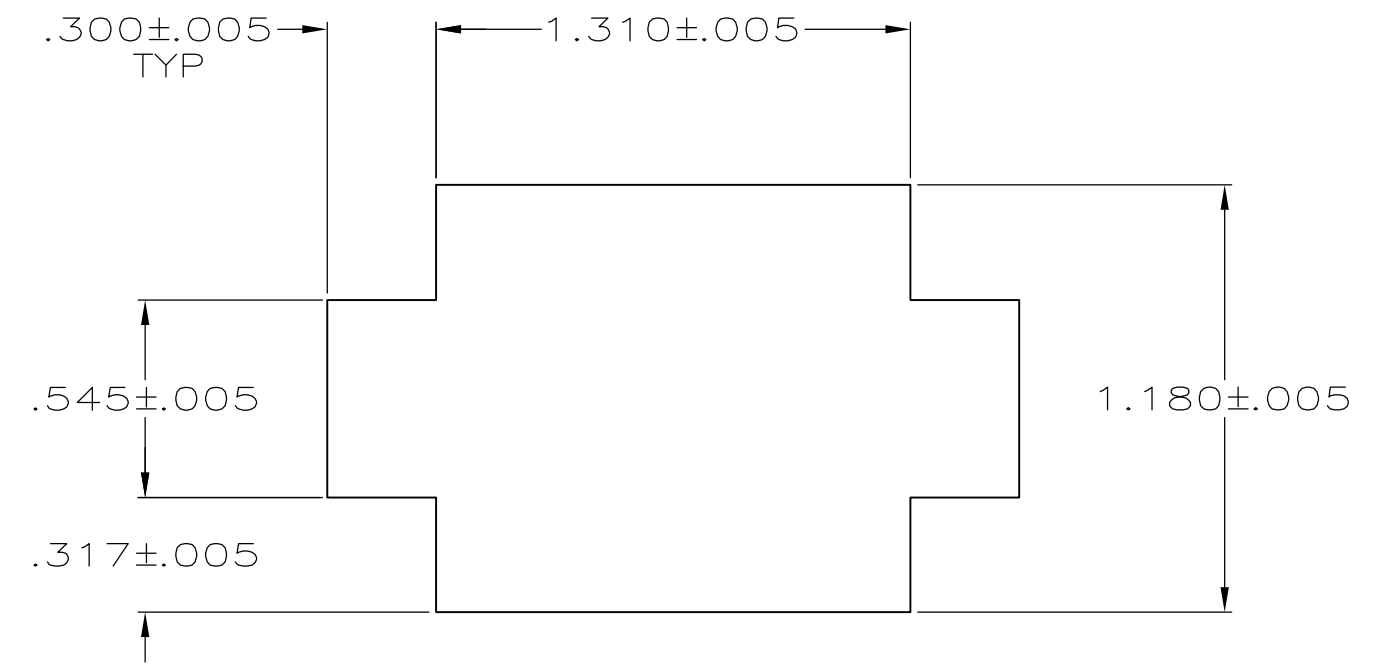
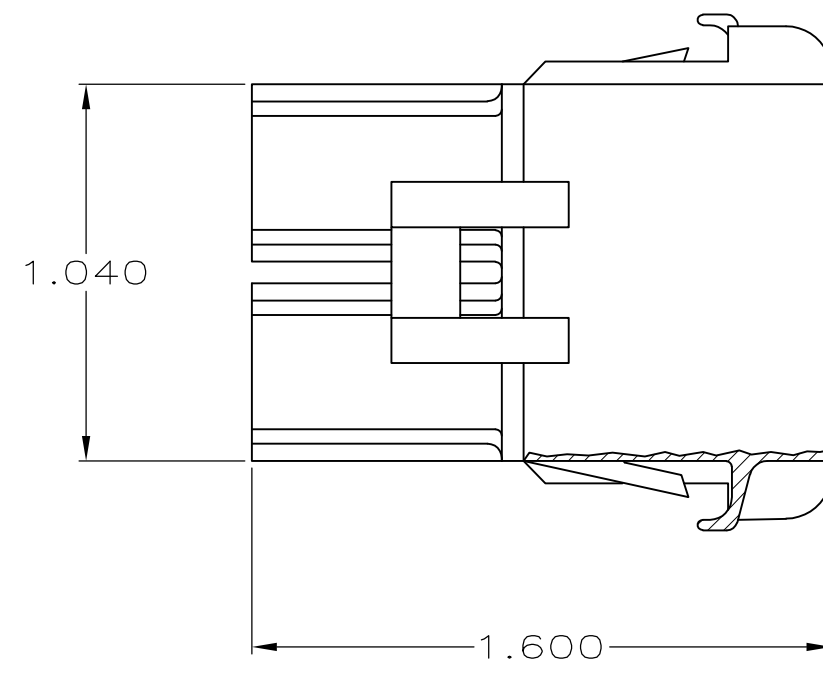
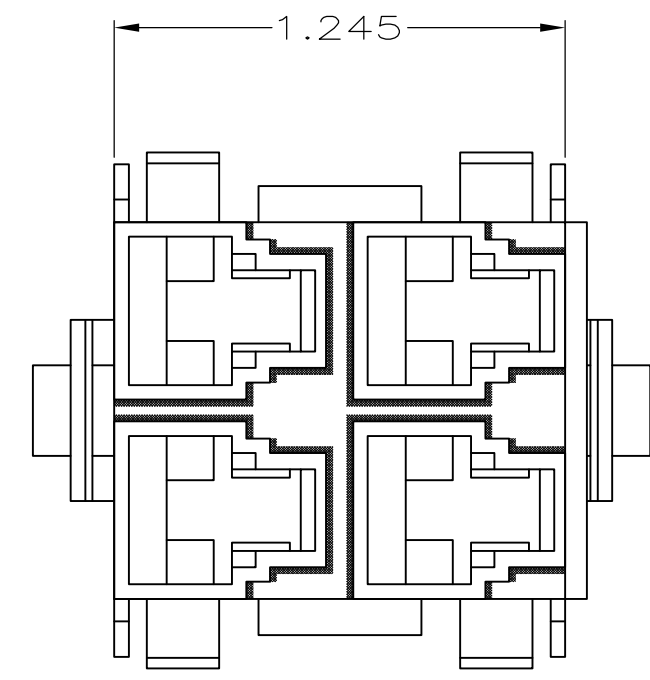
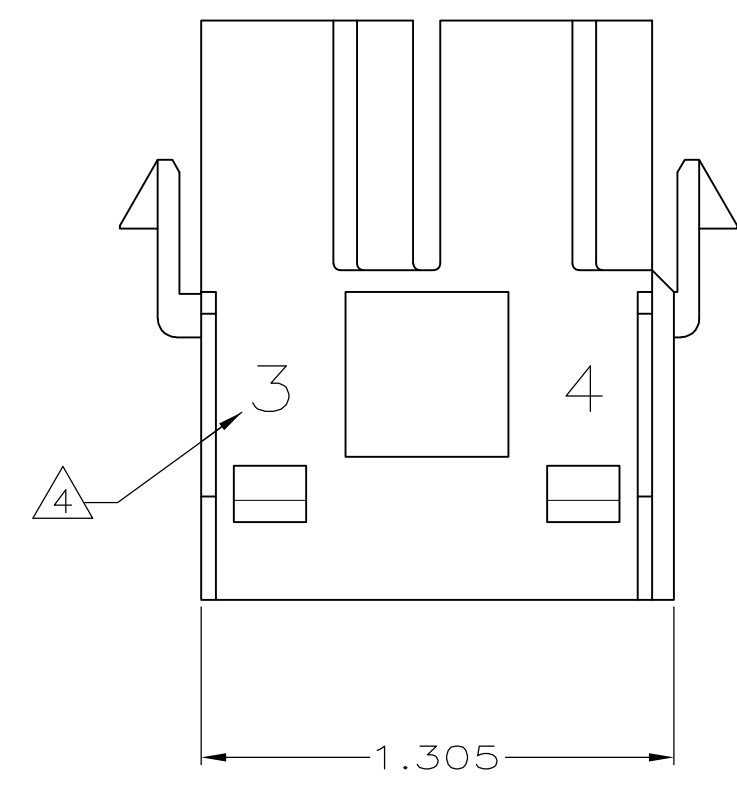


LOC	DIST	REVISIONS			
P	LTR	DESCRIPTION	DATE	OWN	APVD
FT	0	H1	REVISED PER ECO-11-004917	11MAR11	RK HMR



RECOMMENDED PANEL CUT-OUT  
PANEL THICKNESS .040-.093



1. ACCEPTS TERMINALS 350650 & 350651.
  2. MATES WITH HOUSING 643267.
  3. PANEL MUST BE PUNCHED SO THAT THE HOUSING ENTERS THE PANEL IN THE SAME DIRECTION AS THE PUNCH.
- 4** CHARACTERS 3 & 4 MARKED ON NEAR SURFACE AS SHOWN;  
CHARACTERS 1 & 2 MARKED OPPOSITE SIDE.

OBSOLETE	<b>4</b>	641685-2
	-	641685-1
CIRCUIT IDENTIFICATION		PART NUMBER

THIS DRAWING IS A CONTROLLED DOCUMENT.		DWN S.WELDON 04 OCT 99	<b>STE</b> TE Connectivity				
DIMENSIONS:		CHK R.BUCHTER 05OCT99					
MM	TOLERANCES UNLESS OTHERWISE SPECIFIED:	APVD R.BUCHTER 05OCT99	NAME PLUG, HIGH CURRENT 4 CIRCUIT				
	0 PLC ± - 1 PLC ± - 2 PLC ± - 3 PLC ± .015 4 PLC ± - ± - ANGLES ± - ± - FINISH -	PRODUCT SPEC APPLICATION SPEC	SIZE A2	CAGE CODE 00779	DRAWING NO 641685	RESTRICTED TO -	
MATERIAL NYLON, 94 V-0 RATED COLOR: BRICK RED		WEIGHT -	CUSTOMER DRAWING		SCALE 2:1	SHEET 1 OF 1	REV H1