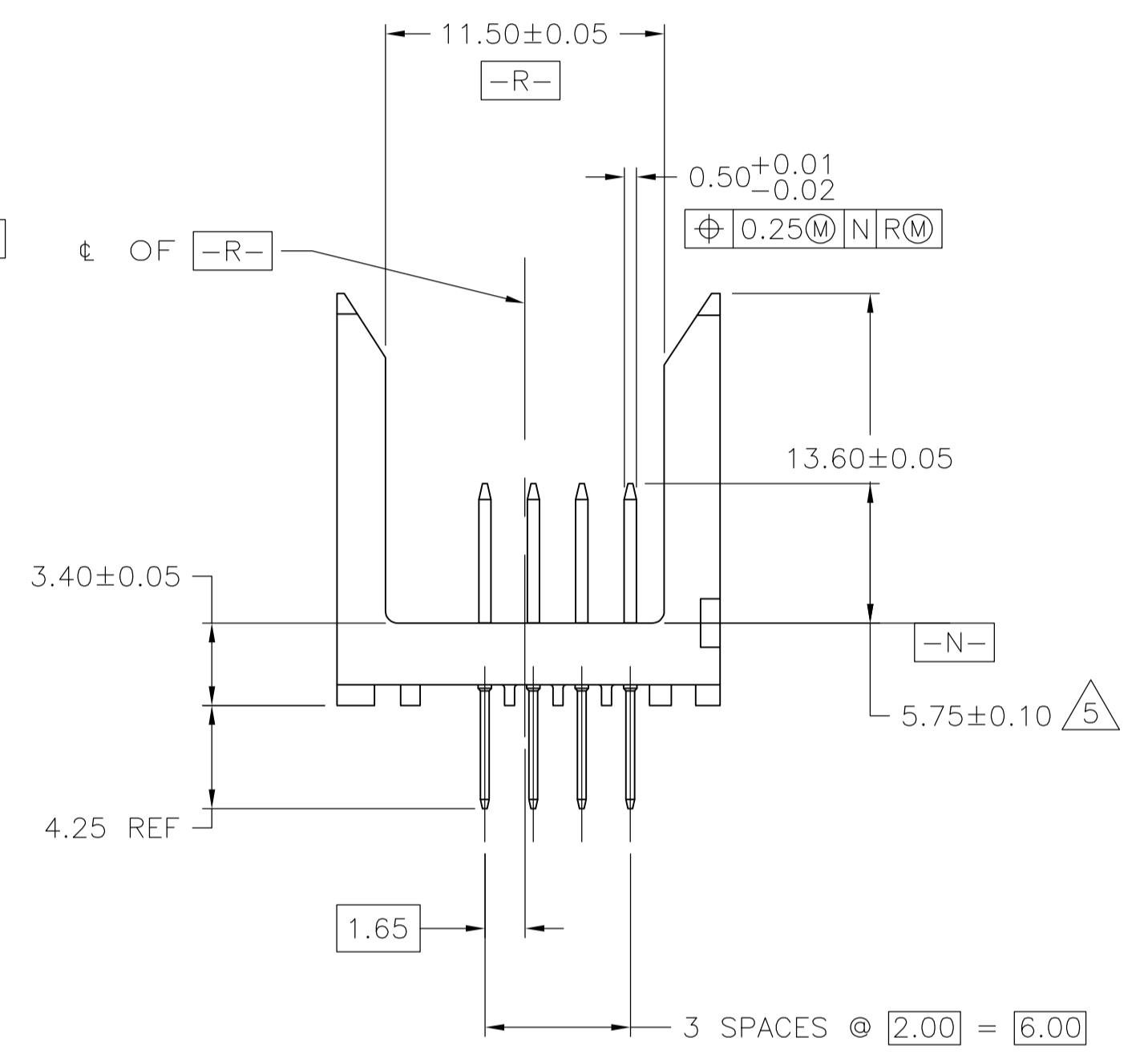
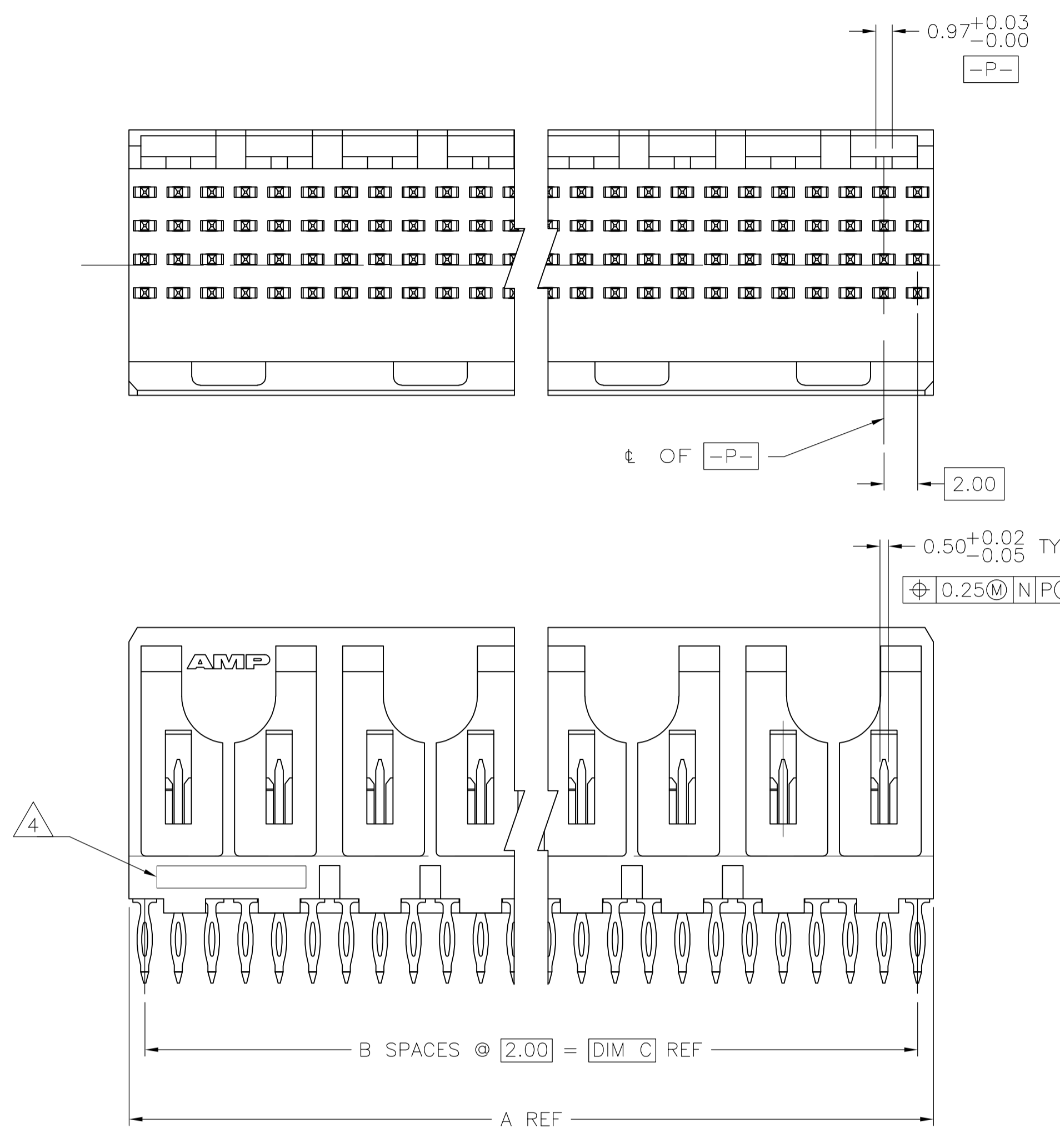
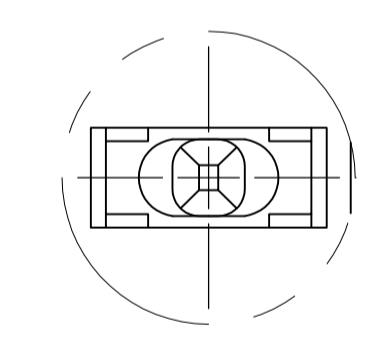
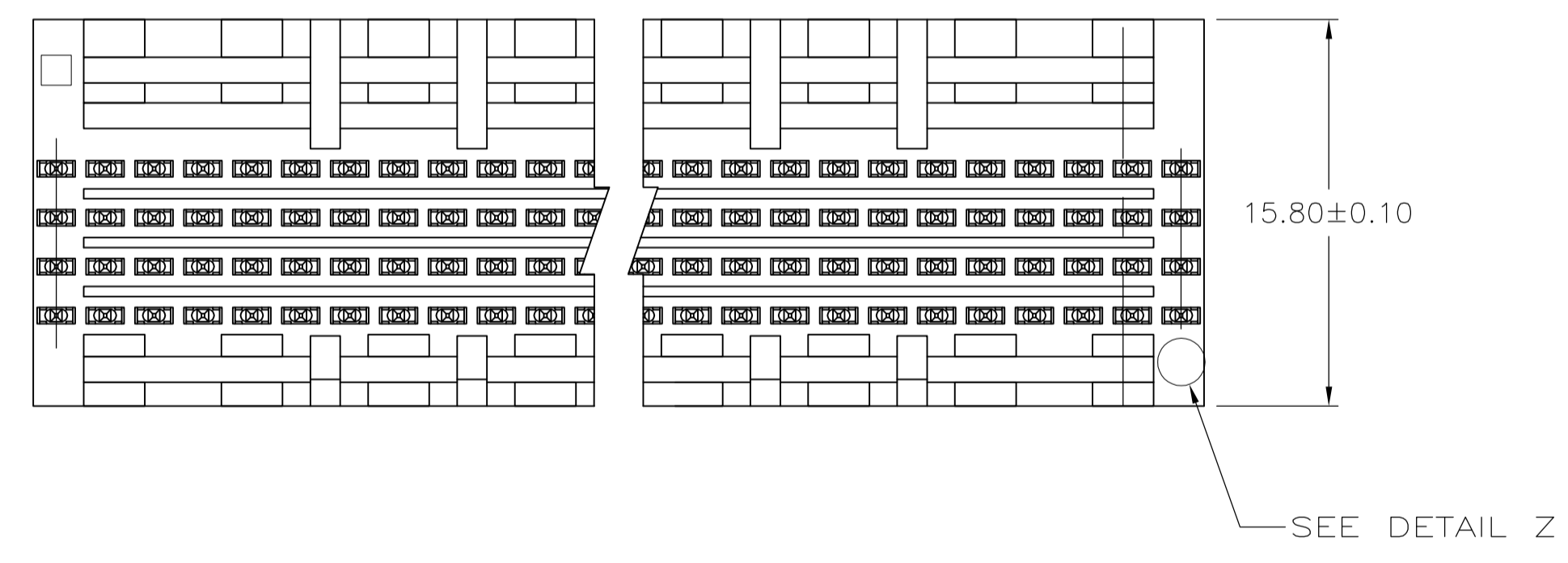


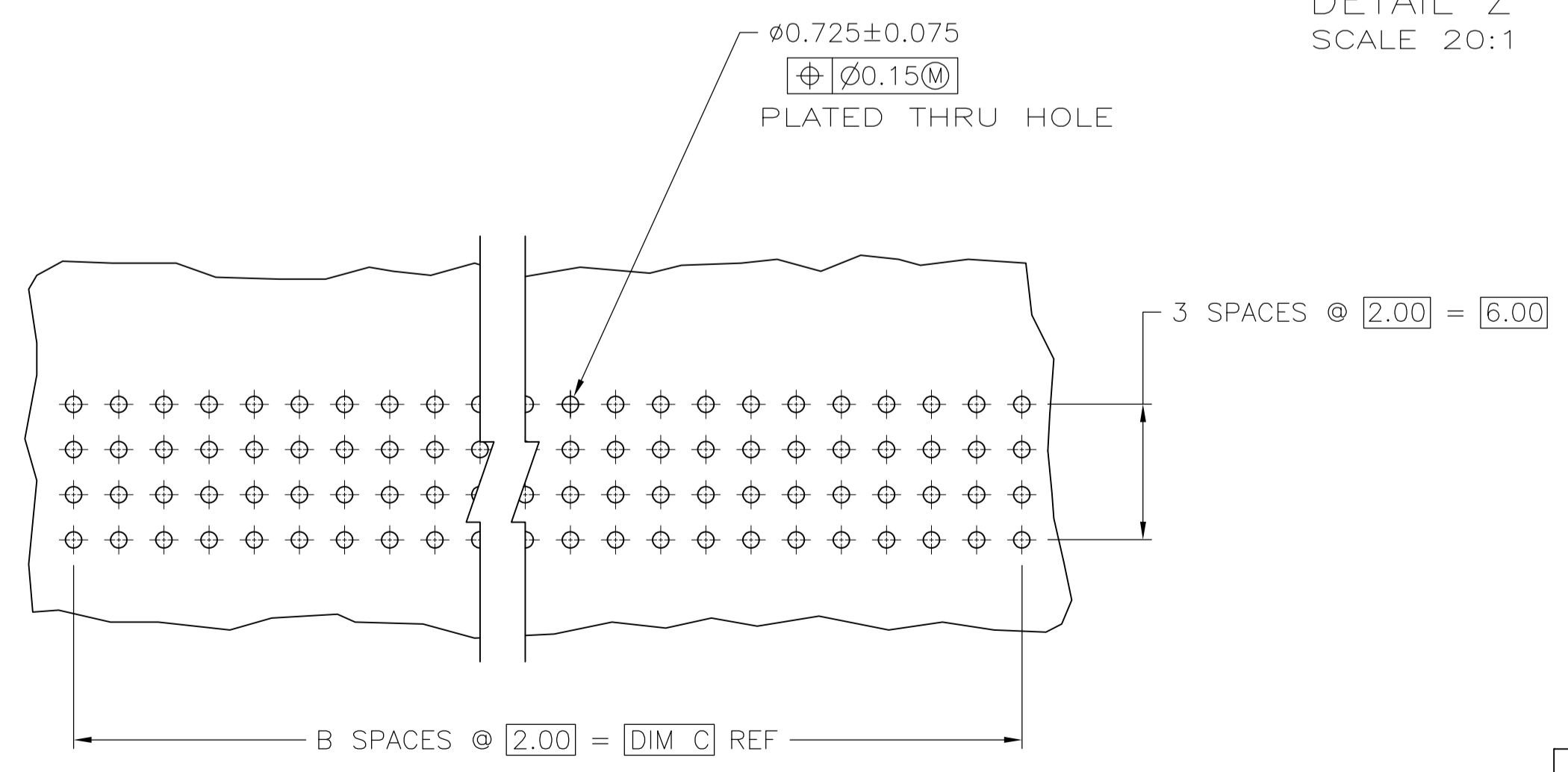
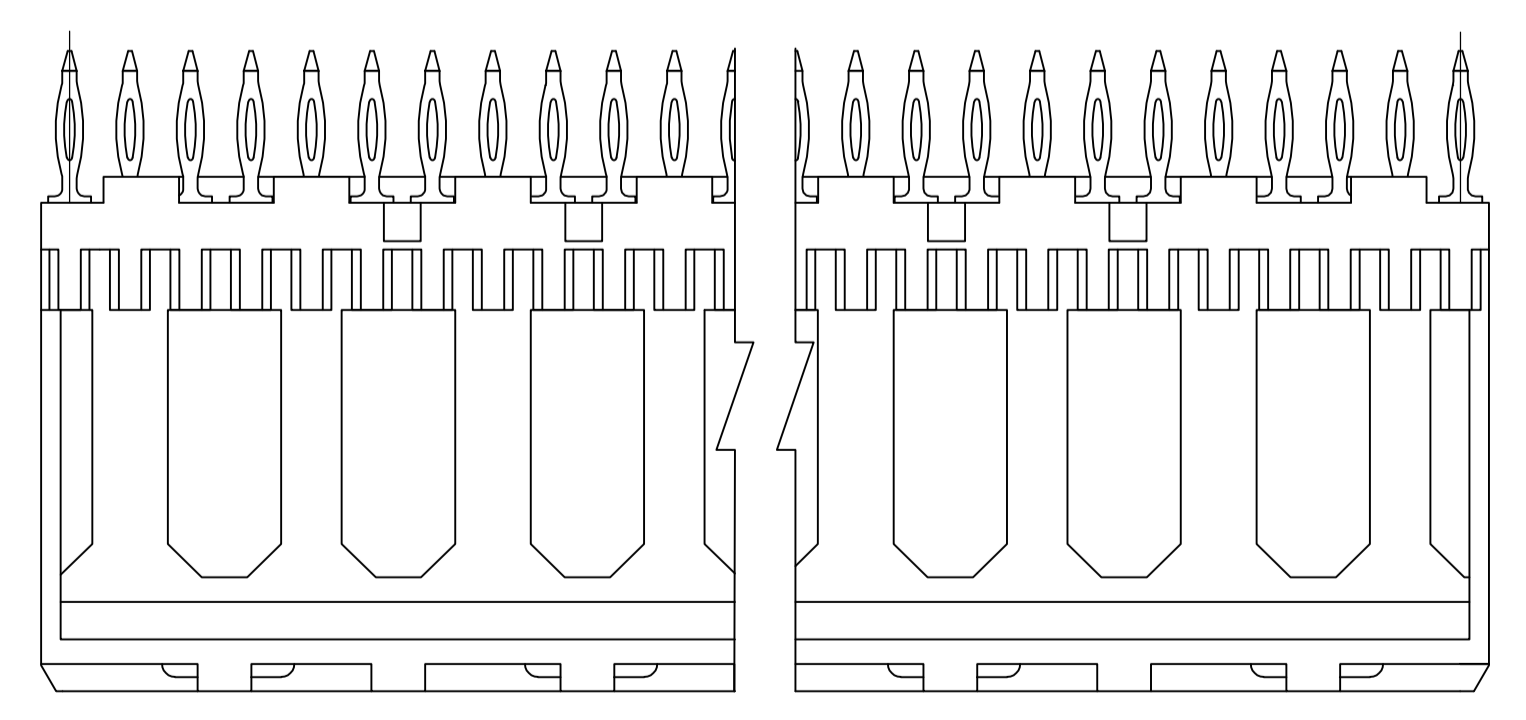
LOC		DIST		REVISIONS			
P	LTR	DESCRIPTION	DATE	DMN	APVD		
B		ECR-12-008098	08MAY2012	WC	AC		



- 1 HOUSING MATERIAL: LIQUID CRYSTAL POLYMER PER ASTM D5138 LCP000 G30A 32250, COLOR: NATURAL.
- 2 CONTACT MATERIAL: PHOSPHOR BRONZE.
- 3 CONTACT FINISH:  
UNDERPLATE (ENTIRE CONTACT):  
0.00127 MIN NICKEL PER SAE-AMS-QQ-N-290.  
ON MATING SURFACES:  
CONFORMS TO ALL TESTING SPECIFIED FOR TELCORDIA UNCONTROLLED ENVIRONMENT.  
ON LEADS  
0.0006 MIN TIN PER ASTM B 545 OVER UNDERPLATE.  
LUBRICATION (MIN MATING SURFACES):  
SURFACE CONDITIONER AFTER PLATING.
- 4 PART MARKING, LOCATED APPROXIMATELY AS SHOWN.
- 5 DIMENSION APPLIES WHEN SEATED ON PRINTED CIRCUIT BOARD.
- 6 OBSOLETE PARTS: OBSOLETE CIS STREAMLINING PER D.RENAUD/D.SINISI



DETAIL Z  
SCALE 20:1



RECOMMENDED CIRCUIT PATTERN  
PER IPC-D300 TYPE II, CLASS C  
(COMPONENT SIDE)

10	5	11.88	△	24	5536524-9
-	-	-	-	-	-
58	29	59.88	△	120	5536524-6
-	-	-	-	-	-
94	47	95.88	△	192	5536524-4
46	23	47.88	△	96	5536524-3
22	11	23.88	△	48	5536524-2
118	59	119.88	△	240	5536524-1
C	B	A	FINISH	NO OF POSN	PART NUMBER

THIS DRAWING IS A CONTROLLED DOCUMENT.

DIMENSIONS:	TOLERANCES UNLESS OTHERWISE SPECIFIED:	DIN B1 MCMMASTER 01SEP04	APVD R WERTZ 01SEP04	NAME
INCHES		CJK R WERTZ 01SEP04	PRODUCT SPEC	PIN ASSEMBLY, SIGNAL MODULE, Z-PACK 2mm FB, 2mm, 4 ROW, 5.75mm MATING LENGTH PRESS FIT LEADS
0 PLC ± -	1 PLC ± -	APPLICATION SPEC	SIZE	CAGE CODE
2 PLC ± 0.13	3 PLC ± -	WEIGHT	A1	00779
4 PLC ± -	ANGLES ± -	CUSTOMER DRAWING	SCALE	4:1

STE TE Connectivity

RESTRICTED TO

SHEET 1 OF 1 REV B