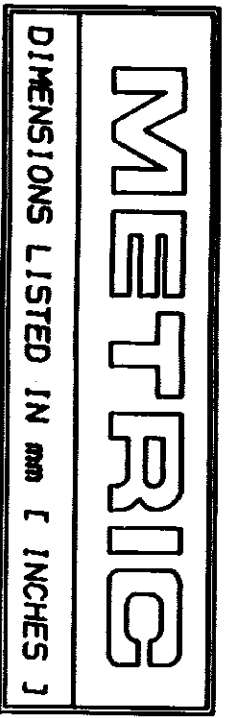
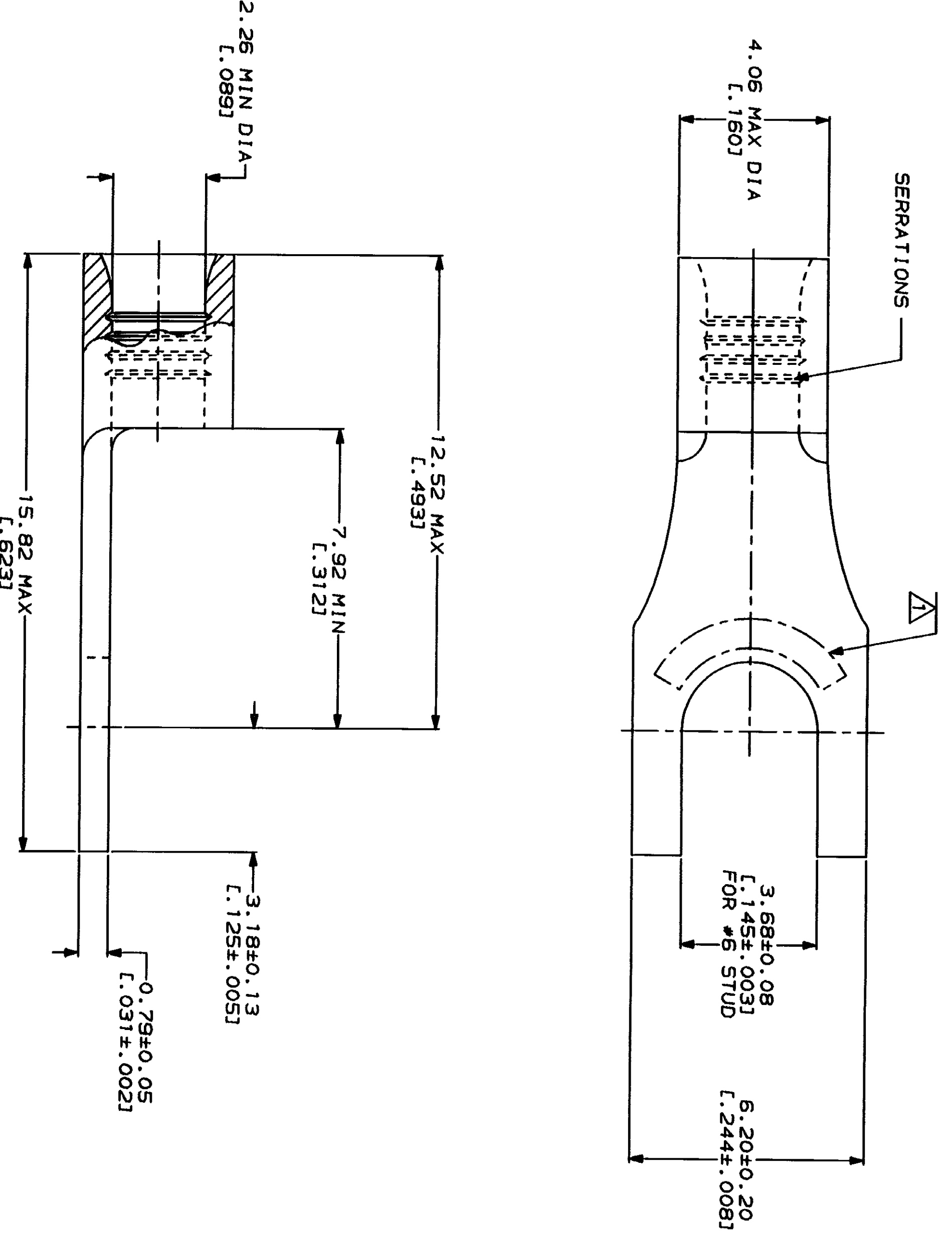


LOC	DIST	ZONE	LTR	REVISIONS	DATE	APPD
G	14		B	REVISED PER 0720-0230-93	2/25/94	DAV



AMP WIRE RANGE 16-14 AWG STRANDED	UL E13288 Listed
AMP WIRE RANGE 16-14 AWG STRANDED	MILITARY P/N AND CLASS NOT APPLICABLE

△ STAMP AMP 16-14* APPROX AS SHOWN



AMP INCORPORATED
CUSTOMER SERVICE SYSTEMS

FOR ADDITIONAL PRODUCT INFORMATION OR COPIES OF DRAWINGS AND TECHNICAL DOCUMENTS
1-800-522-6752

FOR APPLICATION TOOLING INFORMATION
1-800-722-1111

FOR ORDER ENTRY
1-800-526-5142

PRODUCT INFORMATION CENTER
1-800-522-6752

TOOLING ASSISTANCE CENTER
1-800-722-1111

MAX RECOMMENDED OPERATING TEMPERATURE:
170°C MAX

VOLTAGE RATING:
NOT APPLICABLE

WIRE CROSS SECTIONAL AREA RANGE:
1.04-2.62mm² [2,050-5,180] CIR MILS
STRANDED

DO NOT SCALE PRINT. UNLESS SPECIFIED DIMENSIONS IN - FINISH - TOLERANCES ON: 1. PLC DEC # - 2. ANGLES # -

MATERIAL
COPPER PER ASTM B-152 ANNEALED

FINISH
TIN PLATE 0.00254 [L.000100] MIN THK PER MIL-T-10727

DR 2-17-93 TA BRINKMAN
CHK 2-17-93 DA PATTERSON
APPD 2-17-93 DE MILLER
APPD 2-17-93 JL HECKLEY
PRODUCT SPEC

AMP
AMP Incorporated
Harrisburg, PA 17105-3508

NAME
TERMINAL, SPADE TONGUE, BUDGET

SIZE CAGE CODE DRAWING NO
SCALE 10:1 00779 G-33221

WEIGHT APPLICATION SPEC

33221
PART NO