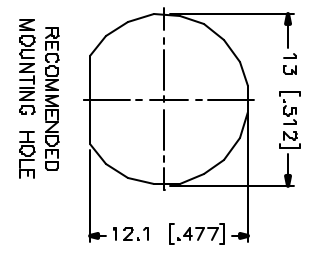
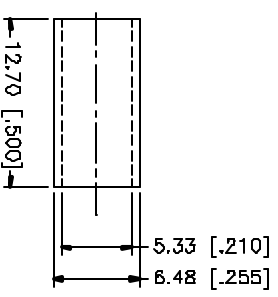
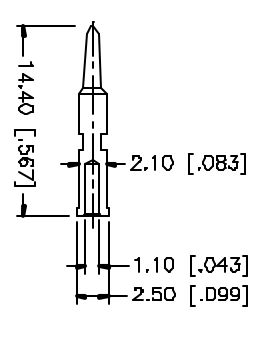
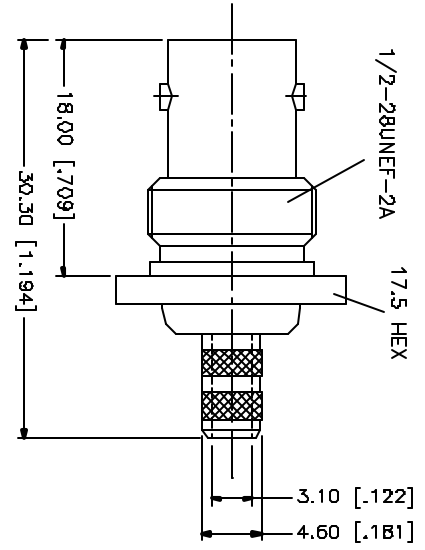
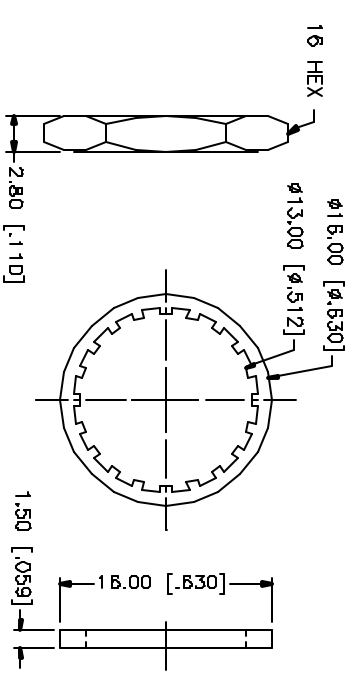
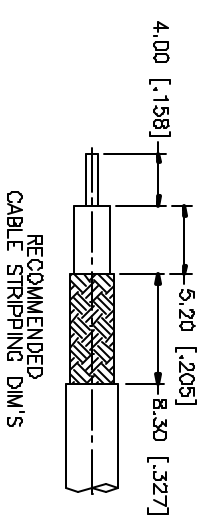


REV.	DATE	DESCRIPTION
A	11/27/02	MODIFY CONTACT PIN I.D. TO 1.1mm
B	08/15/04	REFORMAT DRAWING



RECOMMENDED MOUNTING HOLE

CRIMP NOTES:

1. CRIMPED FERRULE HEX CRIMP SIZE .213"
2. CRIMPED CONTACT PIN HEX CRIMP SIZE .068"
3. MAX. PANEL THICKNESS = 3.5mm

UNLESS OTHERWISE SPECIFIED DIMENSIONS ARE IN MILLIMETERS UNLESS NOTED OTHERWISE IN [] USE IN INCHES AND FOR DIMENSIONS NOTED OTHERWISE ONLY.

JANCOI SPECIFIC SPECIFICATIONS FOR WILLOWOOD AND

Q.5 - .81mm ± 0.20mm
B - .84mm ± 0.20mm
30 - 1.20mm ± 0.50mm

JANCOI SPECIFIC SPECIFICATIONS FOR INCHES ARE:

.020 - .315 = ± 0.007"
.315 - 1.180 = ± 0.015"
1.180 - 4.724 = ± 0.020"

DO NOT SCALE DRAWING

B	DESCRIPTION	MATERIAL	FINISH	QTY	APPROVALS	DATE	PART DESCRIPTION	DWG. NO.	REV. NO.	SIZE	SCALE
B	FERRULE	COPPER	NICKEL	1	DRAWN G.R.S. CHECKED REBUD SHEET 1 OF 1	08/15/04	BNC REVERSE POLARIZED BULKHEAD CRIMP JACK (FOR RG58/U CABLE)	112202RP		A	NA
7	HEX NUT	BRASS	NICKEL	1							
6	LOCK WASHER	BRASS	NICKEL	1							
5	GASKET	RUBBER	RED	1							
4	CONTACT PIN	BRASS	GOLD	1							
3	INSULATOR	TEFLON	NATURAL	1							
2	BODY	BRASS	NICKEL	1							
1	DESCRIPTION	MATERIAL	FINISH	QTY							

Amphenol Connex

BNC REVERSE POLARIZED BULKHEAD CRIMP JACK (FOR RG58/U CABLE)

112202RP

112202RP.DWG