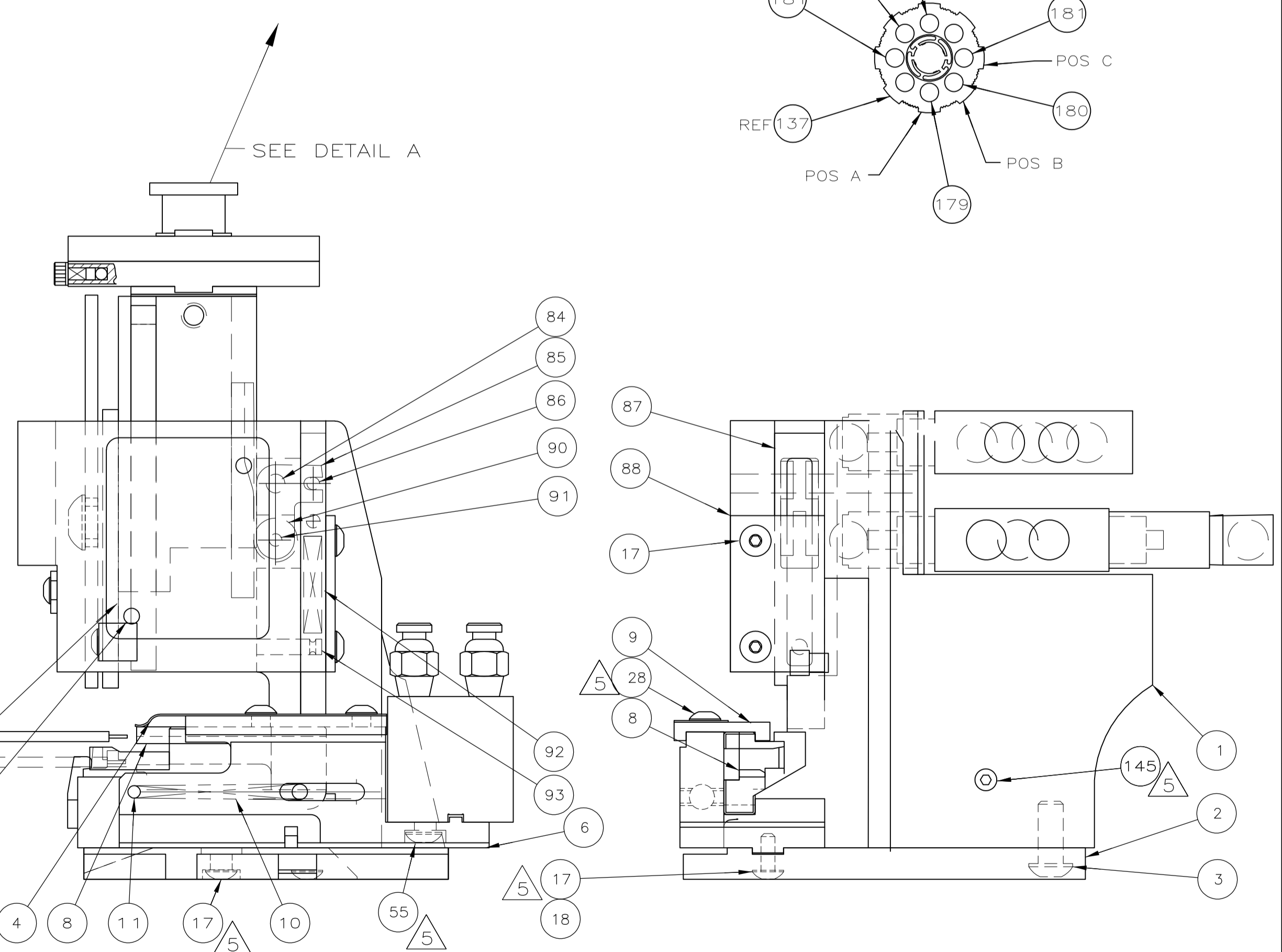
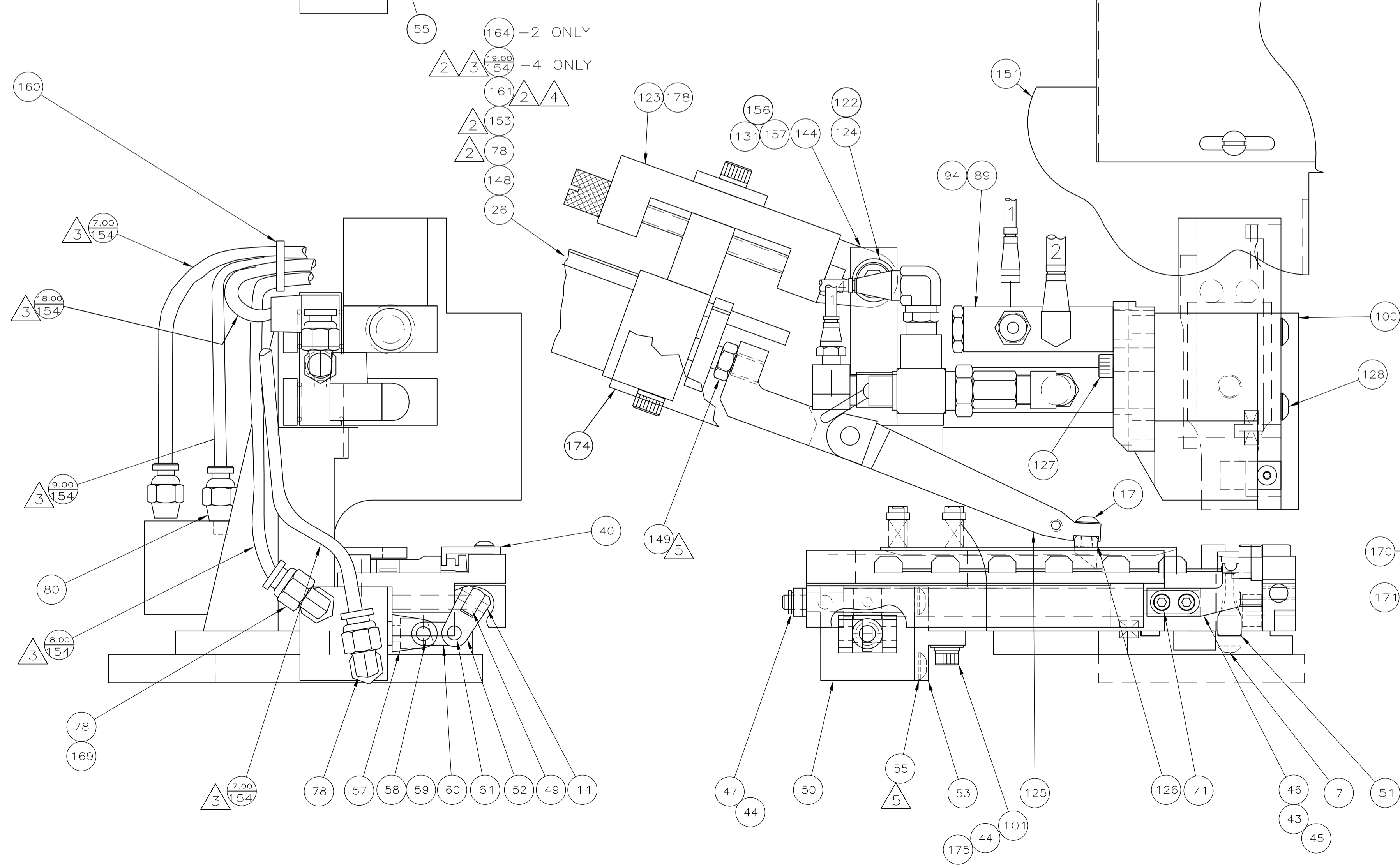
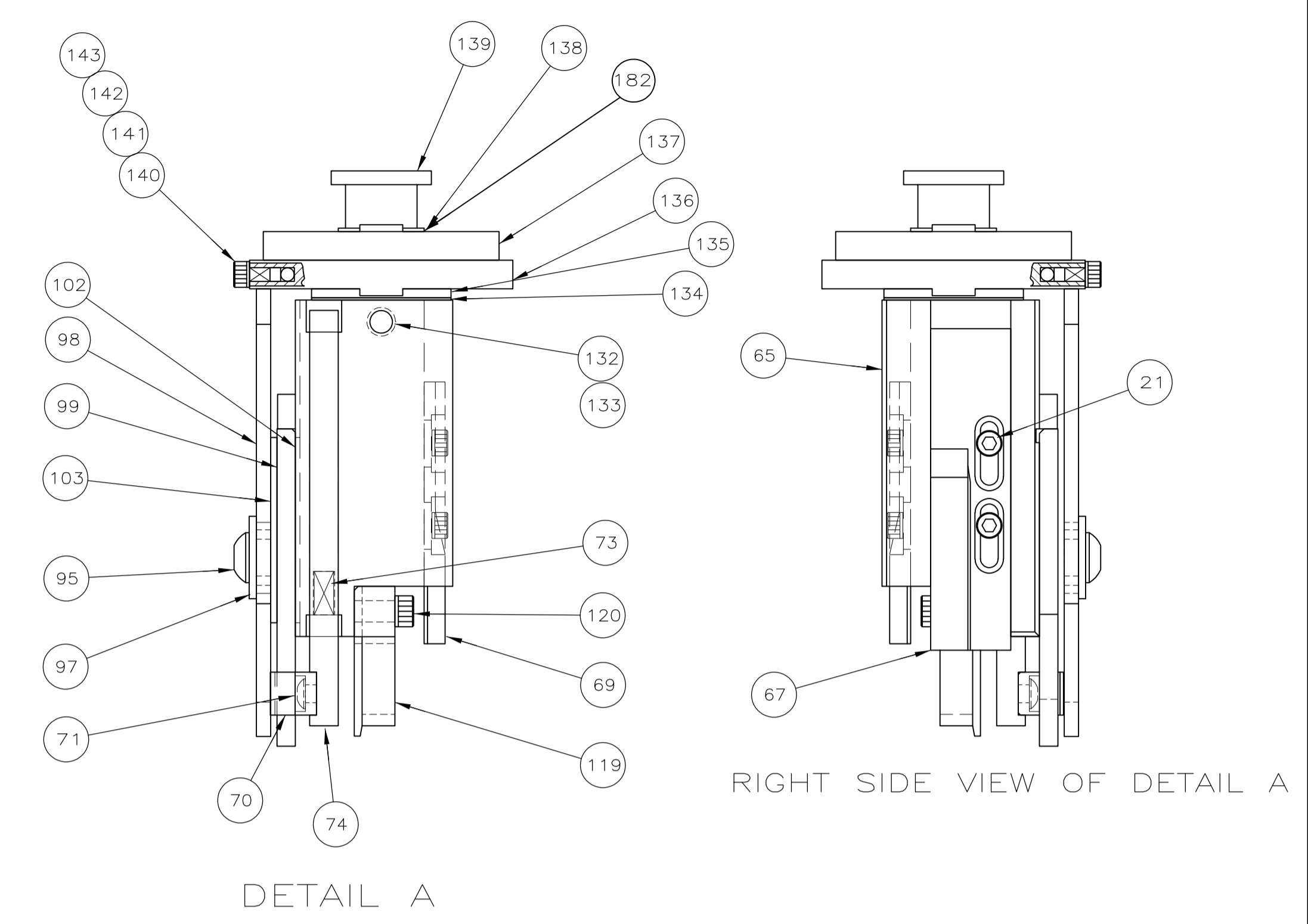
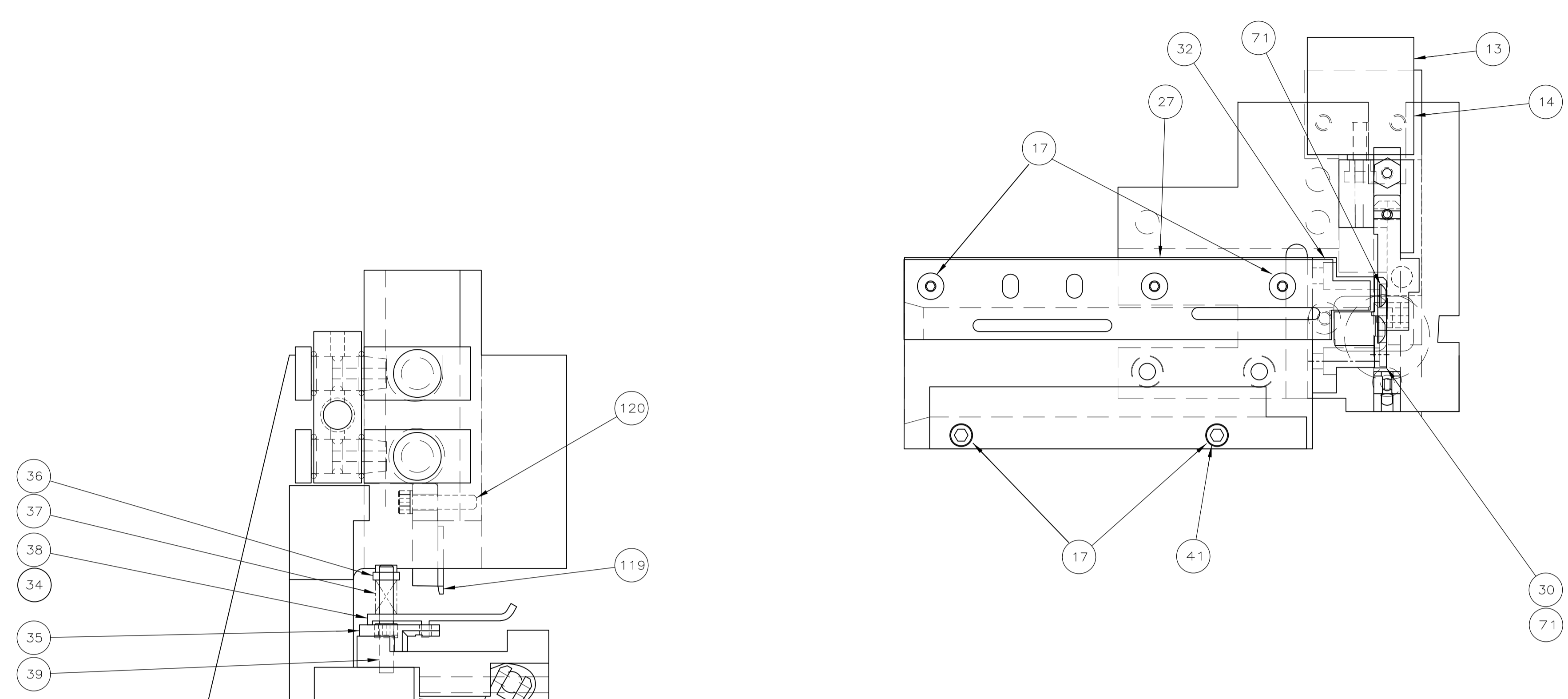




LOC		DIST		REVISIONS				
F	LTR	DESCRIPTION	DATE	DN	APVD			
A	66	SEE SHEET 1						



THIS DRAWING IS A CONTROLLED DOCUMENT.		DN R O WILSON 4-2-90	Tyco Electronics Corporation Harrisburg, PA 17105-3608	
DIMENSIONS: INCHES		CHK L KENSINGER 4/22/90	NAME ULTRA-POD APPLICATOR, .187 STRAIGHT	
TOLERANCES UNLESS OTHERWISE SPECIFIED:		APVD B WOLFE 5-9-90	PRODUCT SPEC	
0. PLC ± .005		APPLICATION SPEC		
1. PLC ± .002		SIZE A1		
2. PLC ± .001		CAGE CODE 00779		
3. PLC ± .0005		DRAWING NO. 853358		
4. PLC ± .0002		RESTRICTED TO		
ANGLES ± .5		WEIGHT		
MATERIAL		CUSTOMER DRAWING		
FINISH		SCALE 1:1 SHEET 2 OF 2 REV AC		