

DATE CODE LOCATION  
SEE NOTE 7

NOTES:

1. MATERIAL:

CAGE: NICKEL SILVER, THICKNESS: 0.25mm  
 CONNECTOR HOUSING: GLASS FILLED LIQUID CRYSTAL POLYMER (LCP), UL 94V-0,  
 COLOR: BLACK  
 OVERMOLD TERMINAL HOUSING: GLASS FILLED LIQUID CRYSTAL POLYMER (LCP),  
 UL 94V-0, COLOR: BLACK  
 TERMINALS: TIN BRASS

2. FINISHES:

TERMINALS: CONTACT AREA: 0.76 MICROMETERS MINIMUM HARD GOLD  
 OVER 1.27 MICROMETERS MINIMUM NICKEL.  
 COMPLIANT TAIL - MATTE TIN/LEAD OPTION: 0.76 TO 1.52 MICROMETERS  
 90/10 MATTE TIN-LEAD OVER 0.76 MICROMETERS MINIMUM NICKEL.  
 COMPLIANT TAIL - MATTE TIN OPTION: 0.76 TO 1.52 MICROMETERS  
 MATTE TIN OVER 0.76 MICROMETERS MINIMUM NICKEL.

3. REFER TO PS-75310-001 FOR ALL ELECTRICAL,  
 MECHANICAL AND ENVIRONMENTAL SPECIFICATIONS.

4. REFER TO PK-75462-001 FOR ALL PACKAGING SPECIFICATIONS.

5. THE CURVED TAILS THAT GO INTO THE HOLES LOCATED BY THESE DIMENSIONS  
 ARE BEING ELIMINATED. TO ACCOMMODATE THIS CONVERSION, IT IS RECOMMENDED  
 THAT BOARDS DESIGNED TO THIS PRINT REVISION INCLUDE THESE HOLES.

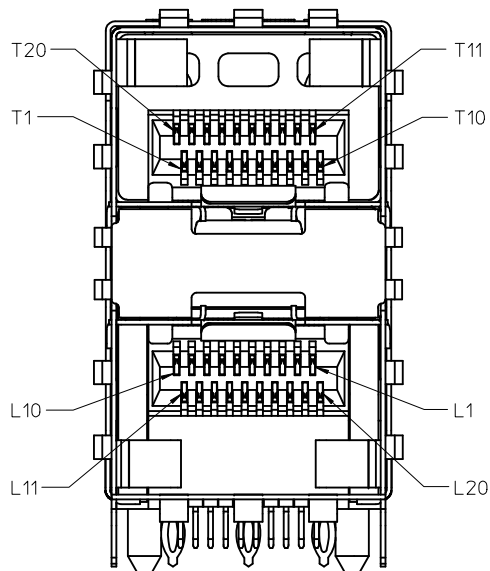
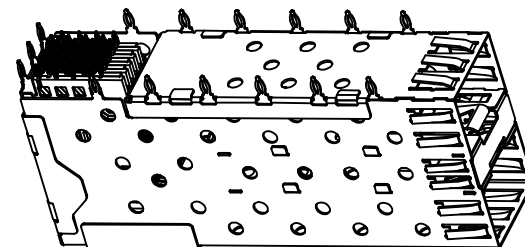
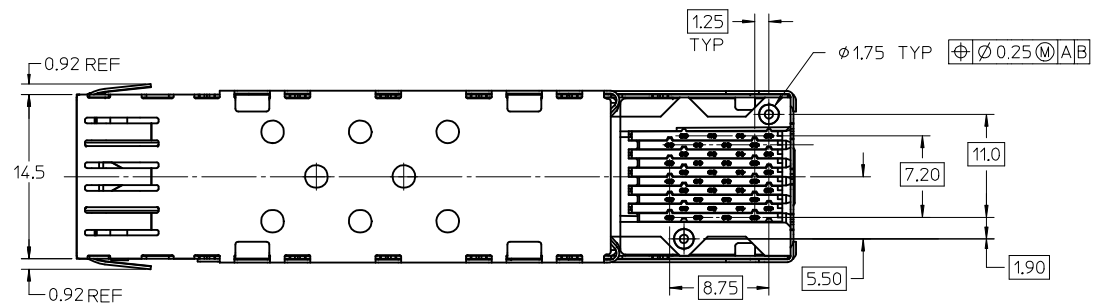
6. THE SURFACES CONFORM TO THE MOLEX COSMETIC SPEC PS-45499-002.  
 ALL EXTERIOR SURFACES TO BE CLASS "B" SURFACE EXCEPT THE  
 UNDERSIDE (CLASS "C") OF THE CAGE (SIDE TOWARD THE PCB) AND  
 AS OTHERWISE NOTED.

7. DATE CODE LOCATION IS SHOWN ABOVE.

DATE CODE FORMAT: DDDY MX A1  
 DDD = DAY OF THE YEAR  
 Y = YEAR  
 MX = MOLEX  
 A = ALPHA CHARACTER - INDICATES MANUFACTURING LINE  
 1 = NUMERIC CHARACTER - INDICATES PRODUCTION SHIFT

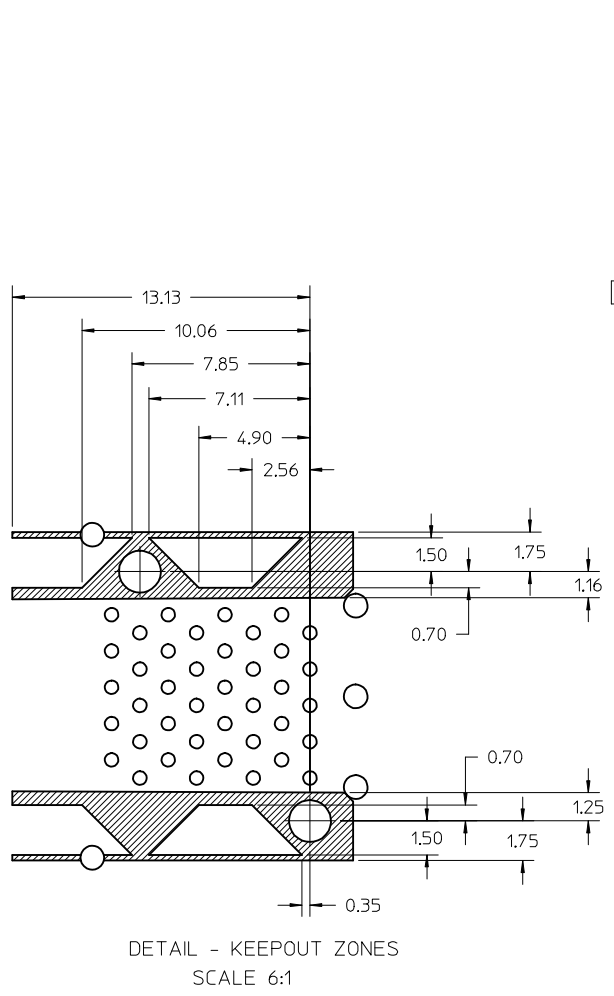
PART NUMBER	COMPLIANT TAIL PLATING
754620001	MATTE TIN / LEAD
754625001	MATTE TIN

<b>CLARIFY PCB ZONES</b> EC NO: UCP2013-5614 DRW:BBARKER 2013/07/05 CHKD:DMORGAN 2013/07/08 APPR:SMILLER 2013/07/31	QUALITY SYMBOLS 	GENERAL TOLERANCES (UNLESS SPECIFIED)		DIMENSION STYLE <b>MM ONLY</b>		SCALE <b>3:1</b>	DESIGN UNITS <b>METRIC</b>	THIRD ANGLE PROJECTION																																	
		<table border="1"> <thead> <tr> <th></th> <th>mm</th> <th>INCH</th> </tr> </thead> <tbody> <tr> <td>4 PLACES ±</td> <td>---</td> <td>±---</td> </tr> <tr> <td>3 PLACES ±</td> <td>---</td> <td>±---</td> </tr> <tr> <td>2 PLACES ±</td> <td>0.13</td> <td>±---</td> </tr> <tr> <td>1 PLACE ±</td> <td>0.25</td> <td>±---</td> </tr> <tr> <td>0 PLACE ±</td> <td></td> <td>±</td> </tr> </tbody> </table>		mm	INCH	4 PLACES ±	---	±---	3 PLACES ±	---	±---	2 PLACES ±	0.13	±---	1 PLACE ±	0.25	±---	0 PLACE ±		±	<table border="1"> <thead> <tr> <th>DRAWN BY</th> <th>DATE</th> </tr> </thead> <tbody> <tr> <td>BBARKER</td> <td>2013/07/05</td> </tr> <tr> <th>CHECKED BY</th> <th>DATE</th> </tr> <tr> <td></td> <td></td> </tr> <tr> <th>APPROVED BY</th> <th>DATE</th> </tr> <tr> <td></td> <td></td> </tr> </tbody> </table>	DRAWN BY	DATE	BBARKER	2013/07/05	CHECKED BY	DATE			APPROVED BY	DATE			TITLE <b>STACKED SFP 2X1 MEDIUM HEIGHT ASS'Y, PRESS-FIT TAIL WITHOUT LIGHT PIPES</b>				MATERIAL NO. <b>SEE TABLE</b>		DOCUMENT NO. <b>SD-75462-100</b>	SHEET NO. <b>1 OF 4</b>
		mm	INCH																																						
	4 PLACES ±	---	±---																																						
3 PLACES ±	---	±---																																							
2 PLACES ±	0.13	±---																																							
1 PLACE ±	0.25	±---																																							
0 PLACE ±		±																																							
DRAWN BY	DATE																																								
BBARKER	2013/07/05																																								
CHECKED BY	DATE																																								
APPROVED BY	DATE																																								
	DRAFT WHERE APPLICABLE MUST REMAIN WITHIN DIMENSIONS	SIZE 		THIS DRAWING CONTAINS INFORMATION THAT IS PROPRIETARY TO MOLEX INCORPORATED AND SHOULD NOT BE USED WITHOUT WRITTEN PERMISSION																																					

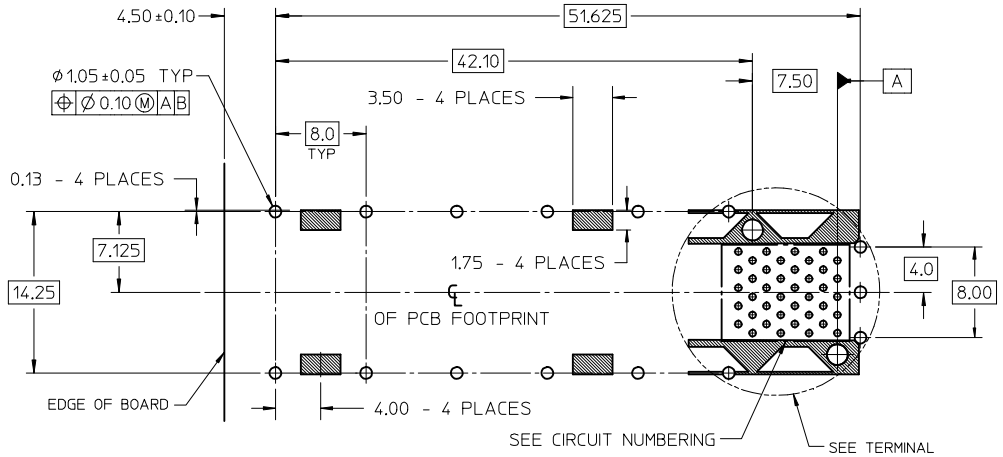


SCALE 5:1  
CIRCUIT NUMBERING

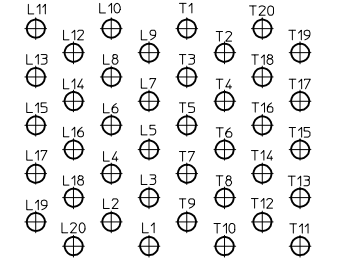
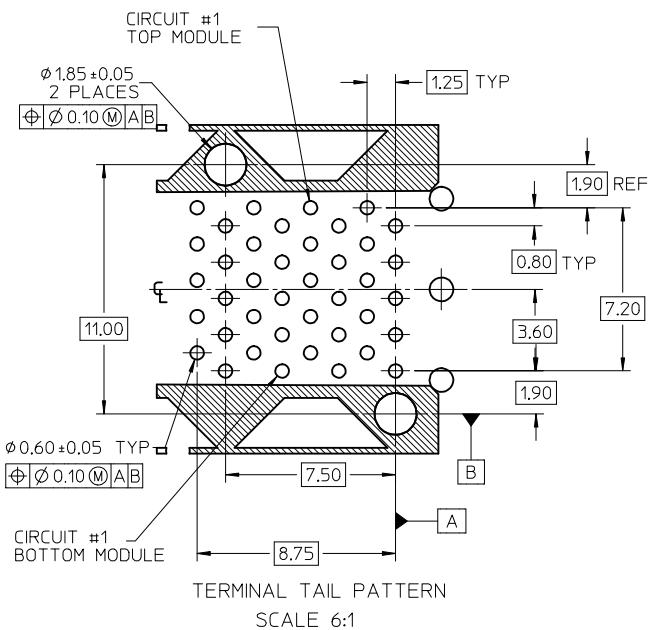
SEE SHEET 1 EC NO: UCP2013-5614 2013/07/05 IDRW:BBARKER 2013/07/08 CHKD:JMORGAN 2013/07/31 APPR:SMILLER	DESCRIPTION 2013/07/31	QUALITY SYMBOLS	GENERAL TOLERANCES (UNLESS SPECIFIED)		DIMENSION STYLE	SCALE	DESIGN UNITS	THIRD ANGLE PROJECTION																
		$\nabla = 0$ $\nabla = 0$ $\nabla = 0$	<table border="1"> <thead> <tr> <th></th> <th>mm</th> <th>INCH</th> </tr> </thead> <tbody> <tr> <td>4 PLACES</td> <td><math>\pm</math> ---</td> <td><math>\pm</math> ---</td> </tr> <tr> <td>3 PLACES</td> <td><math>\pm</math> ---</td> <td><math>\pm</math> ---</td> </tr> <tr> <td>2 PLACES</td> <td><math>\pm</math> 0.13</td> <td><math>\pm</math> ---</td> </tr> <tr> <td>1 PLACE</td> <td><math>\pm</math> 0.25</td> <td><math>\pm</math> ---</td> </tr> <tr> <td>0 PLACE</td> <td><math>\pm</math></td> <td><math>\pm</math></td> </tr> </tbody> </table>		mm	INCH	4 PLACES	$\pm$ ---	$\pm$ ---	3 PLACES	$\pm$ ---	$\pm$ ---	2 PLACES	$\pm$ 0.13	$\pm$ ---	1 PLACE	$\pm$ 0.25	$\pm$ ---	0 PLACE	$\pm$	$\pm$	MM ONLY	3:1	METRIC
	mm	INCH																						
4 PLACES	$\pm$ ---	$\pm$ ---																						
3 PLACES	$\pm$ ---	$\pm$ ---																						
2 PLACES	$\pm$ 0.13	$\pm$ ---																						
1 PLACE	$\pm$ 0.25	$\pm$ ---																						
0 PLACE	$\pm$	$\pm$																						
DRAFT WHERE APPLICABLE MUST REMAIN WITHIN DIMENSIONS					DRAWN BY BBARKER DATE 2013/07/05	TITLE STACKED SFP 2X1 MEDIUM HEIGHT ASS'Y, PRESS-FIT TAIL WITHOUT LIGHT PIPES			SHEET NO. 2 OF 4															
					APPROVED BY DATE	MATERIAL NO. SD-75462-100		DOCUMENT NO.																
					SEE TBL, SHT 1	THIS DRAWING CONTAINS INFORMATION THAT IS PROPRIETARY TO MOLEX INCORPORATED AND SHOULD NOT BE USED WITHOUT WRITTEN PERMISSION																		



THE HATCHED AREA IN THIS VIEW INDICATES ZONES THAT ARE OCCUPIED BY THE PLASTIC HOUSING THAT SEATS AGAINST THE PCB AND BY THE VERTICAL METAL CAGE WALL THAT STOPS JUST SHORT OF THE PCB

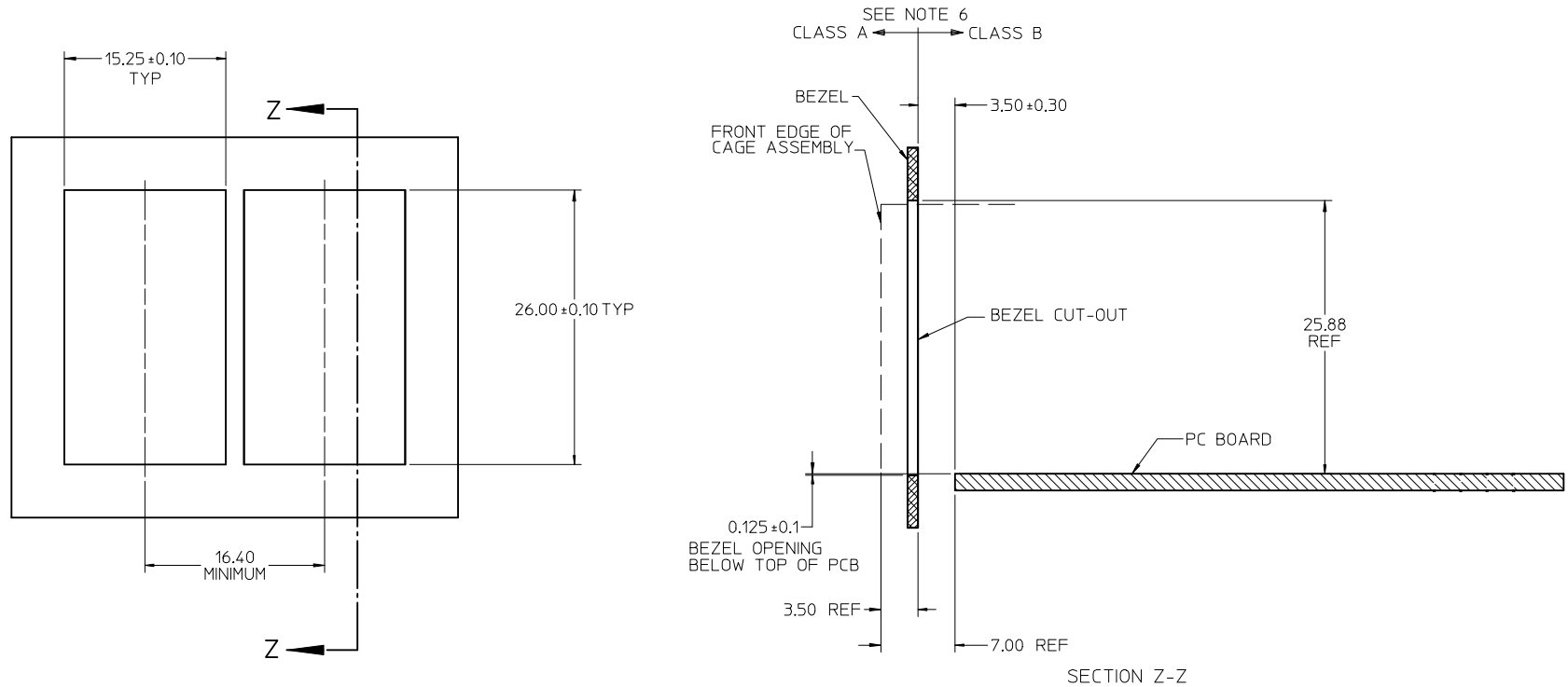


RECOMMENDED PCB LAYOUT - COMPONENT SIDE  
 RECOMMENDED PCB THICKNESS: 2.36 MM (.093 INCH)  
 (MINIMUM PCB THICKNESS: 1.57)  
 THE ENTIRE AREA OF THE CONNECTOR FOOTPRINT TO BE CONSIDERED THE KEEP OUT AREA FOR COMPONENTS  
 THIS AREA IS INDICATED BY THE DASHED LINE



<b>SEE SHEET 1</b> EC NO: UCP2013-5614 DRWN:BBARKER 2013/07/05 CHKD:DMORGAN 2013/07/08 APPR:SMILLER 2013/07/31	QUALITY SYMBOLS ▽=0 ▽=0 ▽=0	GENERAL TOLERANCES (UNLESS SPECIFIED)		DIMENSION STYLE <b>MM ONLY</b>	SCALE <b>3:1</b>	DESIGN UNITS <b>METRIC</b>	THIRD ANGLE PROJECTION	
		4 PLACES ± --- ± --- 3 PLACES ± --- ± --- 2 PLACES ± 0.13 ± --- 1 PLACE ± 0.25 ± --- 0 PLACE ± ±	DRAWN BY BBARKER	DATE 2013/07/05	TITLE <b>STACKED SFP 2X1 MEDIUM HEIGHT ASS'Y, PRESS-FIT TAIL WITHOUT LIGHT PIPES</b>			
		ANGULAR ± 5 °	CHECKED BY	DATE	<b>molex</b>			
		DRAFT WHERE APPLICABLE MUST REMAIN WITHIN DIMENSIONS	APPROVED BY	DATE	MATERIAL NO. <b>SEE TBL, SHT 1</b>	DOCUMENT NO. <b>SD-75462-100</b>	SHEET NO. <b>3 OF 4</b>	

THIS DRAWING CONTAINS INFORMATION THAT IS PROPRIETARY TO MOLEX INCORPORATED AND SHOULD NOT BE USED WITHOUT WRITTEN PERMISSION



BEZEL CUT-OUT CENTER SPACING DETAIL  
 BEZEL THICKNESS 0.8 - 2.6

<b>SEE SHEET 1</b> EC NO: UCP2013-5614 DRWN:BBARKER 2013/07/05 CHKD:MORGAN 2013/07/08 APPR:SMILLER 2013/07/31	QUALITY SYMBOLS $\nabla = 0$ $\nabla = 0$ $\nabla = 0$	GENERAL TOLERANCES (UNLESS SPECIFIED) <table border="1"> <thead> <tr> <th></th> <th>mm</th> <th>INCH</th> </tr> </thead> <tbody> <tr> <td>4 PLACES</td> <td>± ---</td> <td>± ---</td> </tr> <tr> <td>3 PLACES</td> <td>± ---</td> <td>± ---</td> </tr> <tr> <td>2 PLACES</td> <td>± 0.13</td> <td>± ---</td> </tr> <tr> <td>1 PLACE</td> <td>± 0.25</td> <td>± ---</td> </tr> <tr> <td>0 PLACE</td> <td>±</td> <td>±</td> </tr> </tbody> </table>		mm	INCH	4 PLACES	± ---	± ---	3 PLACES	± ---	± ---	2 PLACES	± 0.13	± ---	1 PLACE	± 0.25	± ---	0 PLACE	±	±	DIMENSION STYLE <b>MM ONLY</b> DRAWN BY: BBARKER DATE: 2013/07/05 CHECKED BY: _____ DATE: _____ APPROVED BY: _____ DATE: _____	SCALE: 3:1 DESIGN UNITS: METRIC THIRD ANGLE PROJECTION	TITLE: STACKED SFP 2X1 MEDIUM HEIGHT ASS'Y, PRESS-FIT TAIL WITHOUT LIGHT PIPES <b>molex</b>
		mm	INCH																				
	4 PLACES	± ---	± ---																				
	3 PLACES	± ---	± ---																				
2 PLACES	± 0.13	± ---																					
1 PLACE	± 0.25	± ---																					
0 PLACE	±	±																					
MATERIAL NO. <b>SEE TBL, SHT 1</b>	DOCUMENT NO. SD-75462-100	SHEET NO. 4 OF 4	THIS DRAWING CONTAINS INFORMATION THAT IS PROPRIETARY TO MOLEX INCORPORATED AND SHOULD NOT BE USED WITHOUT WRITTEN PERMISSION																				
DRAFT WHERE APPLICABLE MUST REMAIN WITHIN DIMENSIONS																							