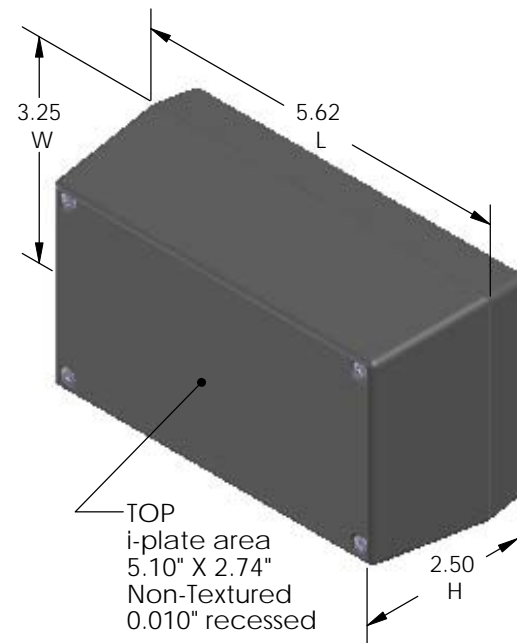
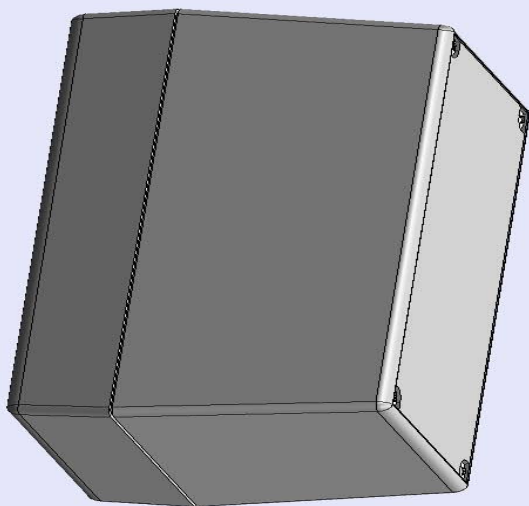


SERPAC 153Ri (3D exploded)

Electronic Enclosures

- Click on image to show toolbar. Use  to Play/Pause Animation.
- Left click and drag on image to move 3D model.



Threaded inserts only have to be assembled the first time.

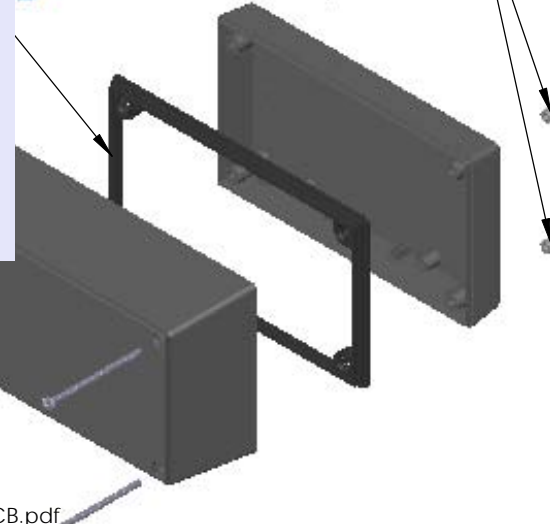
Water proofing gasket PS15 optional. see note #2

- a) Zoom in & out with center wheel.
- b) Pause at any moment to view and or print views.
- c) Change the views to ortho and section views if needed from the Views pull down menu.
- d) Explore options included in the tool bar like: Views, Transparency of model, Lighting type, etc.

PART NO.	DESCRIPTION (Included)	ACCESSORIES (Optional)	
5-3Ri	TOP	PART NO.	DESCRIPTION
15	BOTTOM	PS15	Perimeter Seal
6019	4-40 SCREW (4)	350	Prototype Grid Circuit Board
6102	THREADED INSERTS (4)	450	Prototype Clad Circuit Board

Notes: Enclosure weight .31 lbs / 143 gm

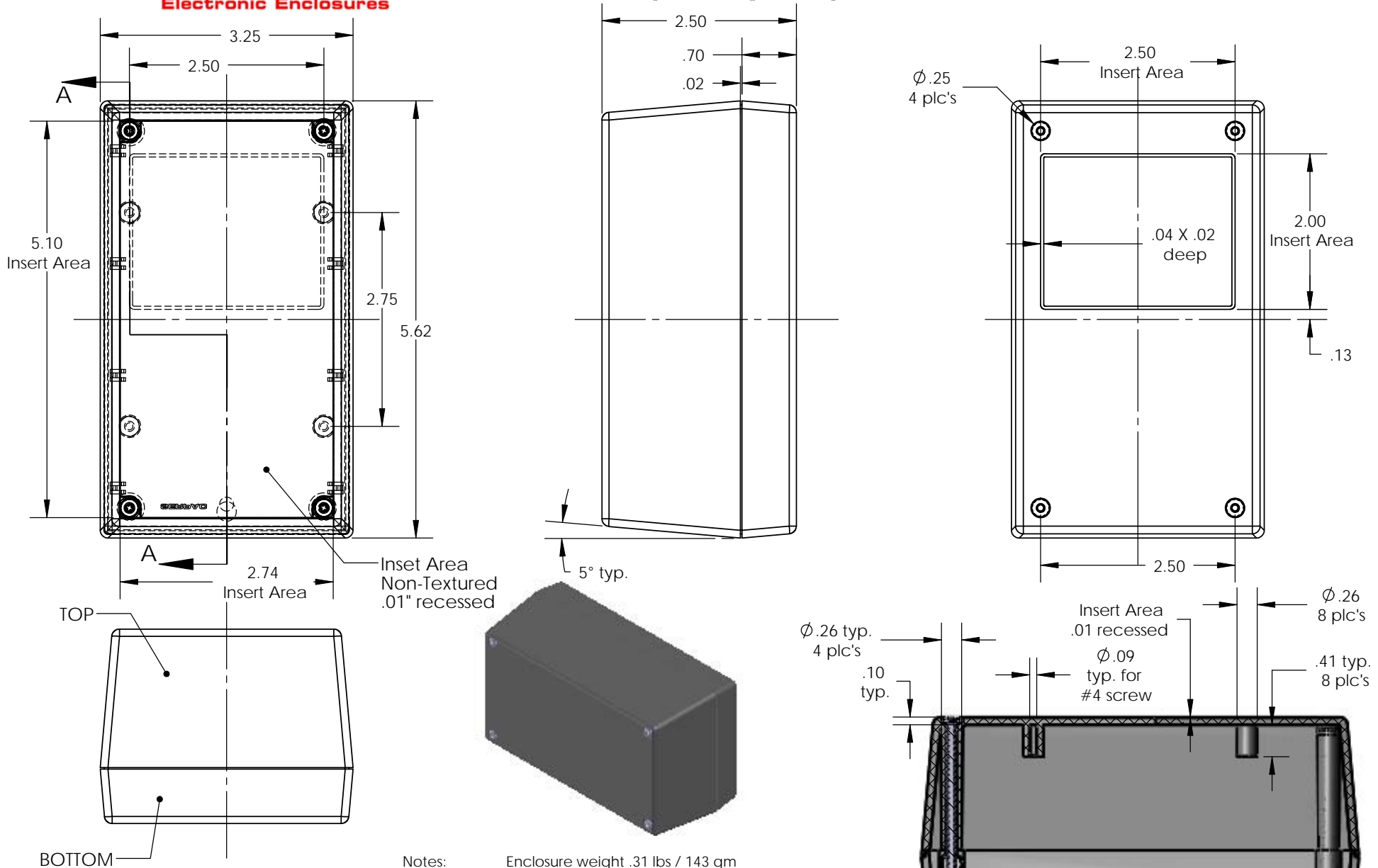
- 1) Enclosure meets or exceeds IP40 and NEMA 1
- 2) When used with PS15 the enclosure meets or exceeds IP 67 and NEMA 4X, 12 and 13 MIL-STD-810G 506.5
- 3) Circuit Board drawings can be download at:
Top: http://www.serpac.com/Accessories/CircuitBoard/drawings/X53_CB.pdf
Bottom: <http://www.serpac.com/Accessories/CircuitBoard/drawings/350-450-cbg.pdf>
- 4) All components are RoHS Compliant.



ALL DIMENSIONS ARE ±.010" 7/29/10 (1 of 2)
2009 Wright Ave. La Verne, CA 91750
Ph. (626) 331-0517 Fx. (626) 331-8584 serpac.com

SERPAC153Ri (user print)

Electronic Enclosures



Notes: Enclosure weight .31 lbs / 143 gm
 1) Enclosure meets or exceeds IP40 and NEMA 1
 2) When used with PS15 the enclosure meets or exceeds IP 67 and NEMA 4X, 12 and 13 MIL-STD-810G 506.5
 3) Circuit Board drawings can be download at:
 Top: http://www.serpac.com/Accessories/CircuitBoard/drawings/X53_CB.pdf
 Bottom: <http://www.serpac.com/Accessories/CircuitBoard/drawings/350-450-cbg.pdf>
 4) All components are RoHS Compliant.

PART NO.	DESCRIPTION (Included)	ACCESSORIES (Optional)	
5-3Ri	TOP	PART NO.	DESCRIPTION
15	BOTTOM	PS15	Perimeter Seal
6019	4-40 SCREW (4)	350	Prototype Grid Circuit Board
6102	THREADED INSERTS (4)	450	Prototype Clad Circuit Board

ALL DIMENSIONS ARE ± .010" 7/29/10 (2 of 2)
 2009 Wright Ave. La Verne, CA 91750
 Ph. (626) 331-0517 Fx. (626) 331-8584 www.serpac.com