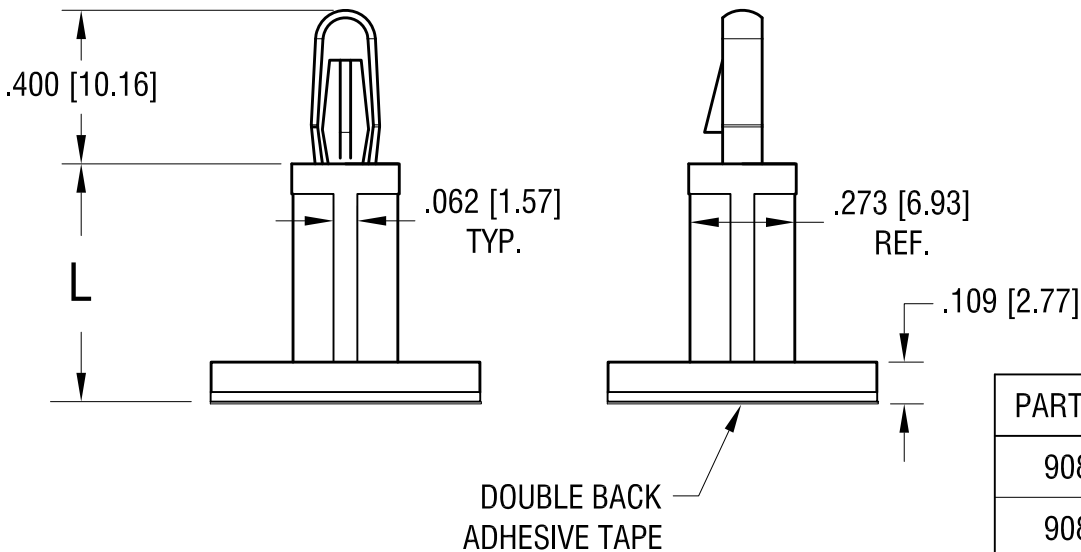
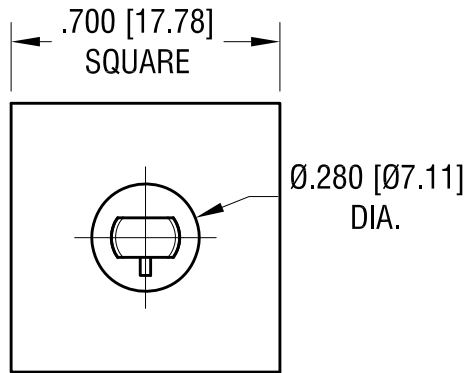
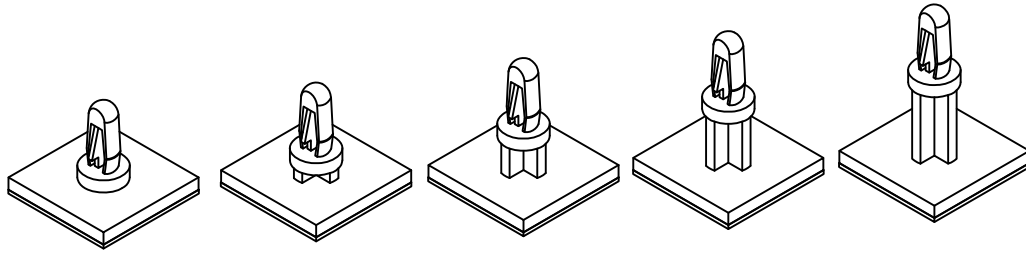


THIS DOCUMENT IS THE PROPERTY OF KEYSTONE ELECTRONICS CORP. AND SHALL NOT BE REPRODUCED, DISTRIBUTED OR USED AS A BASIS FOR MANUFACTURE WITHOUT PRIOR WRITTEN PERMISSION FROM KEYSTONE ELECTRONICS CORP.



PART NO.	'L' DIM.
9080	.187 [4.74]
9081	.250 [6.35]
9082	.375 [9.52]
9083	.500 [12.70]
9084	.625 [15.87]

NOTE:
1. FITS RECOMMENDED HOLE SIZE OF .156 [3.96]
PANEL THICKNESS .062 [1.59]

1.12.12	CHANGE AS PER ECN 12-005	A
DATE	DESCRIPTION	REV.

KEYSTONE ELECTRONICS CORP.			
www.keyelco.com • ASTORIA, N.Y. 11105-2017 • Tel (718) 956-8900			
PART NAME		SPACER-SUPPORT	
MATERIAL		NYLON 6/6-VO	
FINISH	-	DRN BY	NT
		DATE	3.21.11
		APP'D	LN
		SCALE	2X
TOLERANCES	INCH [MM]	CODE	DWG NO.
DECIMAL	± .015 [± 0.38]	C	9080 -9084
ANGULAR	± 1°		
UNLESS OTHERWISE SPECIFIED			