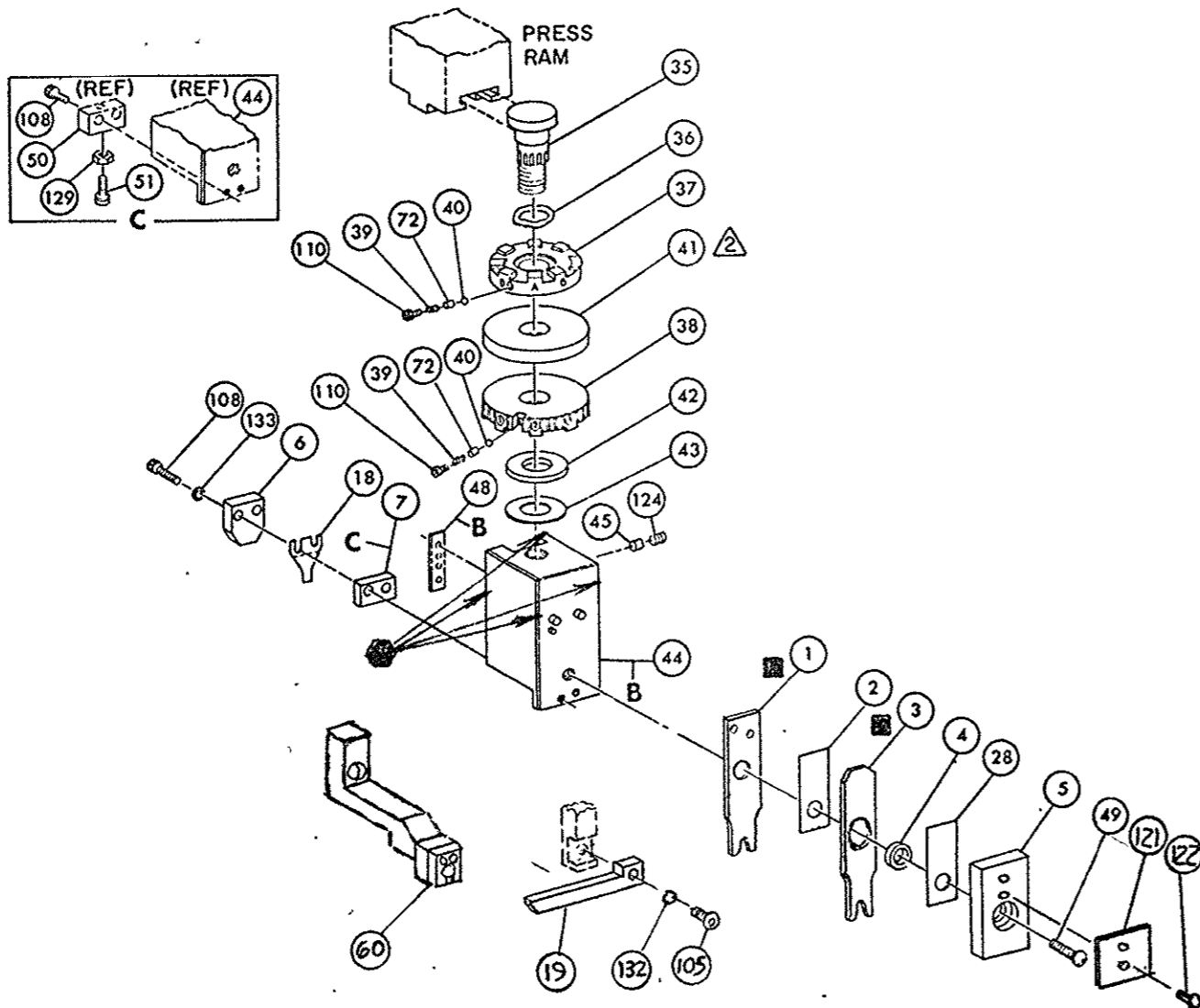
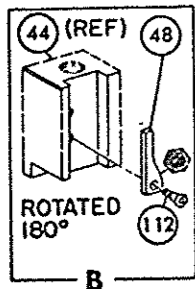


THIS DRAWING IS A CONTROLLED DOCUMENT.

466906-1

SPECIAL PRE-FEED
5/8" STROKE



NOTES:

1- ONLY THE ITEMS WITH QUANTITIES SPECIFIED ON PARTS LIST ARE USED ON THIS APPLICATOR.

△ USED IN PLACE OF ITEM 38 WHEN INSULATION CRIMP IS NOT USED.

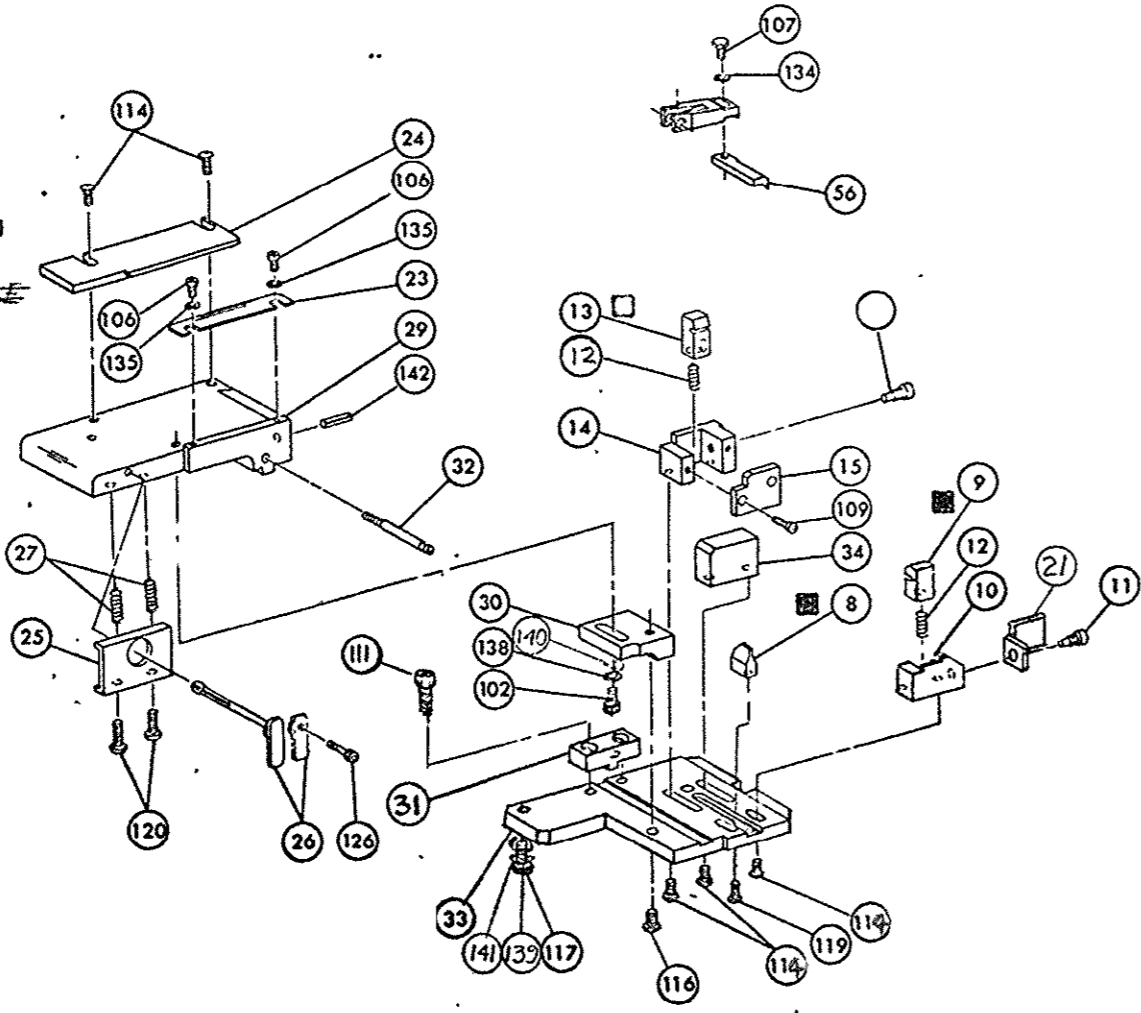
3- FEED PIVOT CENTER HOLE

△- SEE REMARKS

KEY:

■ RECOMMENDED SPARE PARTS

● GREASE WEEKLY



| QTY | PART NO | DESCRIPTION | ITEM NO |
|---------|-----------|--|---------|
| 1 | 4-21028-0 | PIN, SLOT SPR (.093 DIA X .75) STR G PLATE | 142 |
| 1 | 21899-2 | WASHER, FLAT (NO 10) MOUNTING | 141 |
| 1 | 21899-2 | WASHER, FLAT (NO 10) S G ADJ BLOCK | 140 |
| 1 | 21024-5 | WASHER, LOCK (NO 10) MOUNTING | 139 |
| 1 | 21024-5 | WASHER, LOCK (NO 10) STRIP GUIDE ADJ BLOCK | 138 |
| 2 | 21024-2 | WASHER, LOCK (NO 4) FRONT STRIP GUIDE | 137 |
| REF | 21024-4 | WASHER, LOCK (NO 8) FEED FINGER | 136 |
| 2 | 21024-4 | WASHER, LOCK (NO 8) DEPRESSOR | 135 |
| REF | 21024-4 | WASHER, LOCK (NO 6) STRIPPER | 134 |
| 1 | 21018-5 | NUT, HEX MACH (6-32) HOLDDOWN | 133 |
| 1 | 21009-2 | SCR, SHLD. (.187 DIA X .250 LG) DRAG LEVER | 132 |
| 1 | 21009-2 | SCR, SKT SET (1/4-20 X .25) (LOC-WEL) RAM | 127 |
| 2 | 21017-2 | SCR, DRIVE (#2 X .188 LG) | 126 |
| 1 | 219347-1 | PLATE, I.D. | 125 |
| 2 | 3-21002-0 | SCR, BUT HD SKT CAP (10-32 X .88) DRAG | 124 |
| 1 | 22733-8 | SCR, BUT HD SKT CAP (8-32 X .38) (LOC-WEL) ANVIL | 123 |
| 1 | 3-21000-8 | SCR, SOC HD SKT CAP (10-32 X .88) MOUNTING | 122 |
| 1 | 2-21002-7 | SCR, BUT HD SKT CAP (10-32 X .50) SG ADJ BLOCK | 121 |
| 2 | 22733-0 | SCR, BUT HD SKT CAP (8-32 X .50) SHEAR | 120 |
| 6 | 2-21002-2 | SCR, BUT HD SKT CAP (8-32 X .50) R STRIP GUIDE | 119 |
| 1 | 1-21002-7 | SCR, BUT HD SKT CAP (6-32 X .50) CAM | 118 |
| 2 | 2-21000-7 | SCR, SKT HD CAP (6-32 X .50) SCR. BLOCK | 117 |
| 23030-1 | 23030-1 | SCR, SKT HD CAP (6-32 X .25) (LOC-WEL) CP DISC | 116 |
| 2 | 2-21000-7 | SCR, SKT HD CAP (6-32 X .25) REAR SHEAR PLATE | 115 |
| REF | 2-21000-7 | SCR, SKT HD CAP (8-32 X .50) DEPRESSOR (REAR) | 114 |
| 2 | 2-21002-1 | SCR, BUT HD MACH (8-32 X .38) FEED FINGER | 113 |
| 2 | 1-21000-3 | SCR, SKT HD CAP (4-40 X .25) F STRIP GUIDE | 112 |
| REF | 2-21002-1 | SCR, BUT HD CAP (8-32 X .38) STRIPPER | 111 |
| 1 | 3-22603-1 | SCR, HEX HD CAP (10-32 X .38) SG ADJ BLOCK | 110 |
| 1 | 1-21002-7 | SCR, BUT HD SKT CAP (6-32 X .50) CAM | 109 |
| 2 | 2-21000-7 | SCR, SKT HD CAP (6-32 X .50) SCR. BLOCK | 108 |
| 2 | 2-21000-7 | SCR, SKT HD CAP (6-32 X .25) (LOC-WEL) CP DISC | 107 |
| 2 | 2-21000-7 | SCR, SKT HD CAP (6-32 X .25) REAR SHEAR PLATE | 106 |
| REF | 2-21002-1 | SCR, BUT HD MACH (8-32 X .38) FEED FINGER | 105 |
| 2 | 1-21000-3 | SCR, SKT HD CAP (4-40 X .25) F STRIP GUIDE | 104 |
| REF | 2-21002-1 | SCR, BUT HD CAP (8-32 X .38) STRIPPER | 103 |
| 1 | 3-22603-1 | SCR, HEX HD CAP (10-32 X .38) SG ADJ BLOCK | 102 |
| 1 | 1-21002-7 | SCR, BUT HD SKT CAP (6-32 X .50) CAM | 101 |
| 2 | 2-21000-7 | SCR, SKT HD CAP (6-32 X .50) SCR. BLOCK | 79 |
| 23030-1 | 23030-1 | SCR, SKT HD CAP (6-32 X .25) (LOC-WEL) CP DISC | 78 |
| 2 | 2-21000-7 | SCR, SKT HD CAP (6-32 X .25) REAR SHEAR PLATE | 77 |
| REF | 2-21000-7 | SCR, SKT HD CAP (8-32 X .50) DEPRESSOR (REAR) | 76 |
| 2 | 2-21002-1 | SCR, BUT HD MACH (8-32 X .38) FEED FINGER | 75 |
| 2 | 1-21000-3 | SCR, SKT HD CAP (4-40 X .25) F STRIP GUIDE | 74 |
| REF | 2-21002-1 | SCR, BUT HD CAP (8-32 X .38) STRIPPER | 73 |
| 1 | 3-22603-1 | SCR, HEX HD CAP (10-32 X .38) SG ADJ BLOCK | 72 |
| 1 | 1-21002-7 | SCR, BUT HD SKT CAP (6-32 X .50) CAM | 71 |
| 2 | 2-21000-7 | SCR, SKT HD CAP (6-32 X .50) SCR. BLOCK | 70 |
| 23030-1 | 23030-1 | SCR, SKT HD CAP (6-32 X .25) (LOC-WEL) CP DISC | 69 |
| 2 | 2-21000-7 | SCR, SKT HD CAP (6-32 X .25) REAR SHEAR PLATE | 68 |
| REF | 2-21000-7 | SCR, SKT HD CAP (8-32 X .50) DEPRESSOR (REAR) | 67 |
| 2 | 2-21002-1 | SCR, BUT HD MACH (8-32 X .38) FEED FINGER | 66 |
| 2 | 1-21000-3 | SCR, SKT HD CAP (4-40 X .25) F STRIP GUIDE | 65 |
| REF | 2-21002-1 | SCR, BUT HD CAP (8-32 X .38) STRIPPER | 64 |
| 1 | 3-22603-1 | SCR, HEX HD CAP (10-32 X .38) SG ADJ BLOCK | 63 |
| 1 | 1-21002-7 | SCR, BUT HD SKT CAP (6-32 X .50) CAM | 62 |
| 2 | 2-21000-7 | SCR, SKT HD CAP (6-32 X .50) SCR. BLOCK | 61 |
| 23030-1 | 23030-1 | SCR, SKT HD CAP (6-32 X .25) (LOC-WEL) CP DISC | 60 |
| 2 | 2-21000-7 | SCR, SKT HD CAP (6-32 X .25) REAR SHEAR PLATE | 59 |
| REF | 2-21000-7 | SCR, SKT HD CAP (8-32 X .50) DEPRESSOR (REAR) | 58 |
| 2 | 2-21002-1 | SCR, BUT HD MACH (8-32 X .38) FEED FINGER | 57 |
| 2 | 1-21000-3 | SCR, SKT HD CAP (4-40 X .25) F STRIP GUIDE | 56 |
| REF | 2-21002-1 | SCR, BUT HD CAP (8-32 X .38) STRIPPER | 55 |
| 1 | 3-22603-1 | SCR, HEX HD CAP (10-32 X .38) SG ADJ BLOCK | 54 |
| 1 | 1-21002-7 | SCR, BUT HD SKT CAP (6-32 X .50) CAM | 53 |
| 2 | 2-21000-7 | SCR, SKT HD CAP (6-32 X .50) SCR. BLOCK | 52 |
| 23030-1 | 23030-1 | SCR, SKT HD CAP (6-32 X .25) (LOC-WEL) CP DISC | 51 |
| 2 | 2-21000-7 | SCR, SKT HD CAP (6-32 X .25) REAR SHEAR PLATE | 50 |
| REF | 2-21000-7 | SCR, SKT HD CAP (8-32 X .50) DEPRESSOR (REAR) | 49 |
| 2 | 2-21002-1 | SCR, BUT HD MACH (8-32 X .38) FEED FINGER | 48 |
| 2 | 1-21000-3 | SCR, SKT HD CAP (4-40 X .25) F STRIP GUIDE | 47 |
| REF | 2-21002-1 | SCR, BUT HD CAP (8-32 X .38) STRIPPER | 46 |
| 1 | 3-22603-1 | SCR, HEX HD CAP (10-32 X .38) SG ADJ BLOCK | 45 |
| 1 | 1-21002-7 | SCR, BUT HD SKT CAP (6-32 X .50) CAM | 44 |
| 2 | 2-21000-7 | SCR, SKT HD CAP (6-32 X .50) SCR. BLOCK | 43 |
| 23030-1 | 23030-1 | SCR, SKT HD CAP (6-32 X .25) (LOC-WEL) CP DISC | 42 |
| 2 | 2-21000-7 | SCR, SKT HD CAP (6-32 X .25) REAR SHEAR PLATE | 41 |
| REF | 2-21000-7 | SCR, SKT HD CAP (8-32 X .50) DEPRESSOR (REAR) | 40 |
| 2 | 2-21002-1 | SCR, BUT HD MACH (8-32 X .38) FEED FINGER | 39 |
| 2 | 1-21000-3 | SCR, SKT HD CAP (4-40 X .25) F STRIP GUIDE | 38 |
| REF | 2-21002-1 | SCR, BUT HD CAP (8-32 X .38) STRIPPER | 37 |
| 1 | 3-22603-1 | SCR, HEX HD CAP (10-32 X .38) SG ADJ BLOCK | 36 |
| 1 | 1-21002-7 | SCR, BUT HD SKT CAP (6-32 X .50) CAM | 35 |
| 2 | 2-21000-7 | SCR, SKT HD CAP (6-32 X .50) SCR. BLOCK | 34 |
| 23030-1 | 23030-1 | SCR, SKT HD CAP (6-32 X .25) (LOC-WEL) CP DISC | 33 |
| 2 | 2-21000-7 | SCR, SKT HD CAP (6-32 X .25) REAR SHEAR PLATE | 32 |
| REF | 2-21000-7 | SCR, SKT HD CAP (8-32 X .50) DEPRESSOR (REAR) | 31 |
| 2 | 2-21002-1 | SCR, BUT HD MACH (8-32 X .38) FEED FINGER | 30 |
| 2 | 1-21000-3 | SCR, SKT HD CAP (4-40 X .25) F STRIP GUIDE | 29 |
| REF | 2-21002-1 | SCR, BUT HD CAP (8-32 X .38) STRIPPER | 28 |
| 1 | 3-22603-1 | SCR, HEX HD CAP (10-32 X .38) SG ADJ BLOCK | 27 |
| 1 | 1-21002-7 | SCR, BUT HD SKT CAP (6-32 X .50) CAM | 26 |
| 2 | 2-21000-7 | SCR, SKT HD CAP (6-32 X .50) SCR. BLOCK | 25 |
| 23030-1 | 23030-1 | SCR, SKT HD CAP (6-32 X .25) (LOC-WEL) CP DISC | 24 |
| 2 | 2-21000-7 | SCR, SKT HD CAP (6-32 X .25) REAR SHEAR PLATE | 23 |
| REF | 2-21000-7 | SCR, SKT HD CAP (8-32 X .50) DEPRESSOR (REAR) | 22 |
| 2 | 2-21002-1 | SCR, BUT HD MACH (8-32 X .38) FEED FINGER | 21 |
| 2 | 1-21000-3 | SCR, SKT HD CAP (4-40 X .25) F STRIP GUIDE | 20 |
| REF | 2-21002-1 | SCR, BUT HD CAP (8-32 X .38) STRIPPER | 19 |
| 1 | 3-22603-1 | SCR, HEX HD CAP (10-32 X .38) SG ADJ BLOCK | 18 |
| 1 | 1-21002-7 | SCR, BUT HD SKT CAP (6-32 X .50) CAM | 17 |
| 2 | 2-21000-7 | SCR, SKT HD CAP (6-32 X .50) SCR. BLOCK | 16 |
| 23030-1 | 23030-1 | SCR, SKT HD CAP (6-32 X .25) (LOC-WEL) CP DISC | 15 |
| 2 | 2-21000-7 | SCR, SKT HD CAP (6-32 X .25) REAR SHEAR PLATE | 14 |
| REF | 2-21000-7 | SCR, SKT HD CAP (8-32 X .50) DEPRESSOR (REAR) | 13 |
| 2 | 2-21002-1 | SCR, BUT HD MACH (8-32 X .38) FEED FINGER | 12 |
| 2 | 1-21000-3 | SCR, SKT HD CAP (4-40 X .25) F STRIP GUIDE | 11 |
| REF | 2-21002-1 | SCR, BUT HD CAP (8-32 X .38) STRIPPER | 10 |
| 1 | 3-22603-1 | SCR, HEX HD CAP (10-32 X .38) SG ADJ BLOCK | 9 |
| 1 | 1-21002-7 | SCR, BUT HD SKT CAP (6-32 X .50) CAM | 8 |
| 2 | 2-21000-7 | SCR, SKT HD CAP (6-32 X .50) SCR. BLOCK | 7 |
| 23030-1 | 23030-1 | SCR, SKT HD CAP (6-32 X .25) (LOC-WEL) CP DISC | 6 |
| 2 | 2-21000-7 | SCR, SKT HD CAP (6-32 X .25) REAR SHEAR PLATE | 5 |
| REF | 2-21000-7 | SCR, SKT HD CAP (8-32 X .50) DEPRESSOR (REAR) | 4 |
| 2 | 2-21002-1 | SCR, BUT HD MACH (8-32 X .38) FEED FINGER | 3 |
| 2 | 1-21000-3 | SCR, SKT HD CAP (4-40 X .25) F STRIP GUIDE | 2 |
| REF | 2-21002-1 | SCR, BUT HD CAP (8-32 X .38) STRIPPER | 1 |

| CRIMPING DATA | | | | APPLICATOR WILL APPLY | |
|---------------|--------------|-----------|-------------|-----------------------|--------|
| PAD LTR | CRIMP HEIGHT | WIRE SIZE | WIRE LENGTH | PIN | SOCKET |
| A | NOT | USED | | 66098 | 66100 |
| B | NOT | USED | | 66196 | 66198 |
| C | .056 | #16A | | 66298 | 66299 |
| D | .051 | #18 | | 66579 | 66580 |
| | | | | 66641 | 66642 |
| | | | | 20861 | 20861 |
| | | | | 163081 | 163083 |

| CRIMP | SIZE | TYPE | FEED | APPL INST |
|-------|------|------|------|-----------|
| WIRE | .080 | F | .500 | A1 |
| INSUL | .120 | O | | |

| WIRE RANGE | INSULATION RANGE | PRESS NO |
|------------|------------------|----------|
| #18 A | .080-.100 | 463345-1 |

REMARKS: #16 WIRE IS NOT RECOMMENDED

SIM 466325

| REVISION RECORD | DATE | BY | DESCRIPTION |
|-----------------|--------------|-----|-------------|
| P1 | 0150-0937-02 | TE | 7-02 |
| P | 0150-0309-00 | REV | 5-00 |
| N | 0150-6987-96 | REV | 7-96 |

| REVISION RECORD | DATE | BY | DESCRIPTION |
|-----------------|--------------|-----|-------------|
| M | 0150-6476-95 | REV | 10-95 |
| N | 0150-2416-93 | REV | 1-93 |
| M | 0150-4401-93 | REV | 3-93 |
| N | 0150-137288 | REV | 1-93 |
| N | 0150-103288 | REV | 1-93 |
| N | 0150-045888 | REV | 1-93 |
| N | 0150-6987-96 | REV | 7-96 |

APPLICATOR WILL APPLY: PIN 66098, 66100, 66196, 66198, 66298, 66299, 66579, 66580, 66641, 66642, 20861, 163081, 163083

THIS DRAWING IS A CONTROLLED DOCUMENT. COPYRIGHT 1988 BY AMP INCORPORATED. ALL RIGHTS RESERVED. RELEASED FOR PUBLICATION JULY 1988.