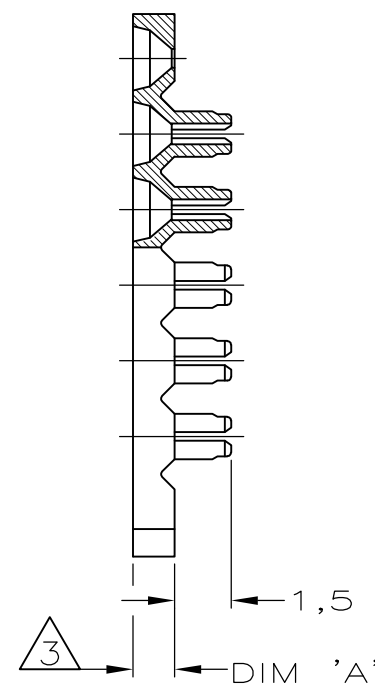
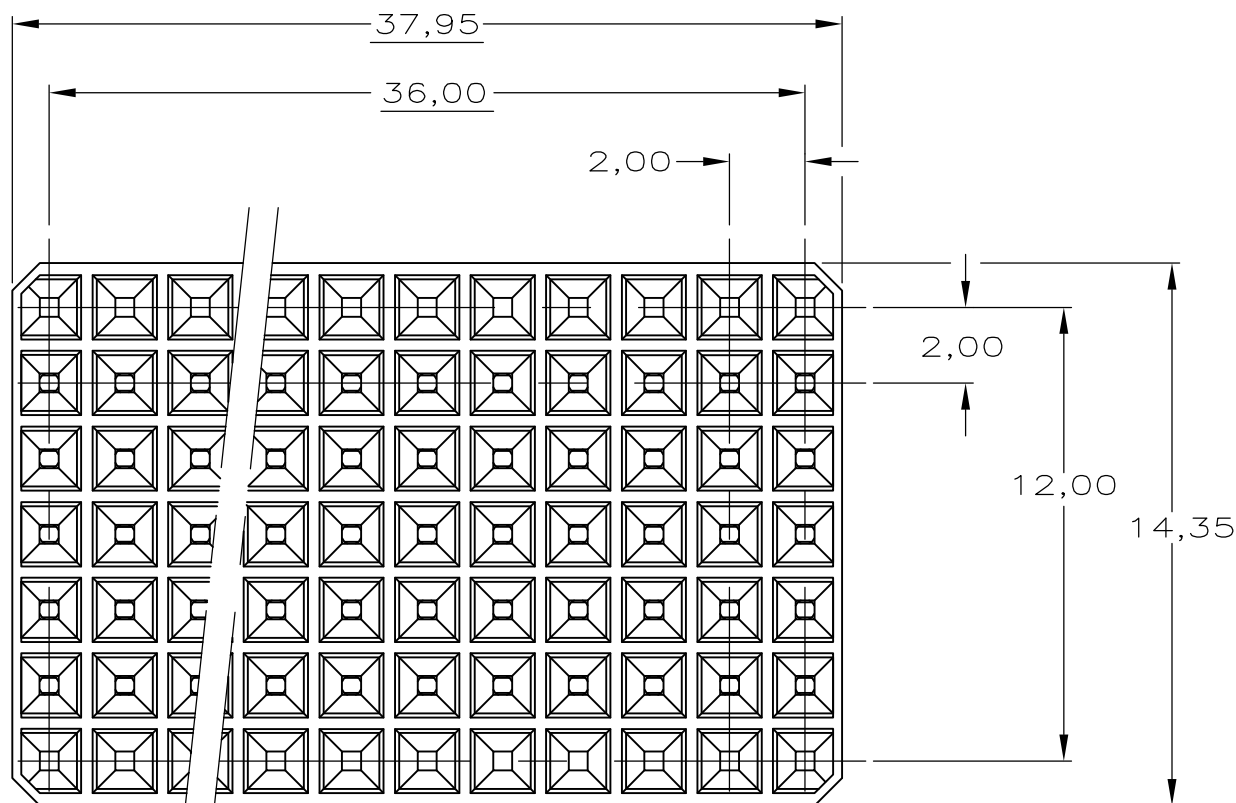


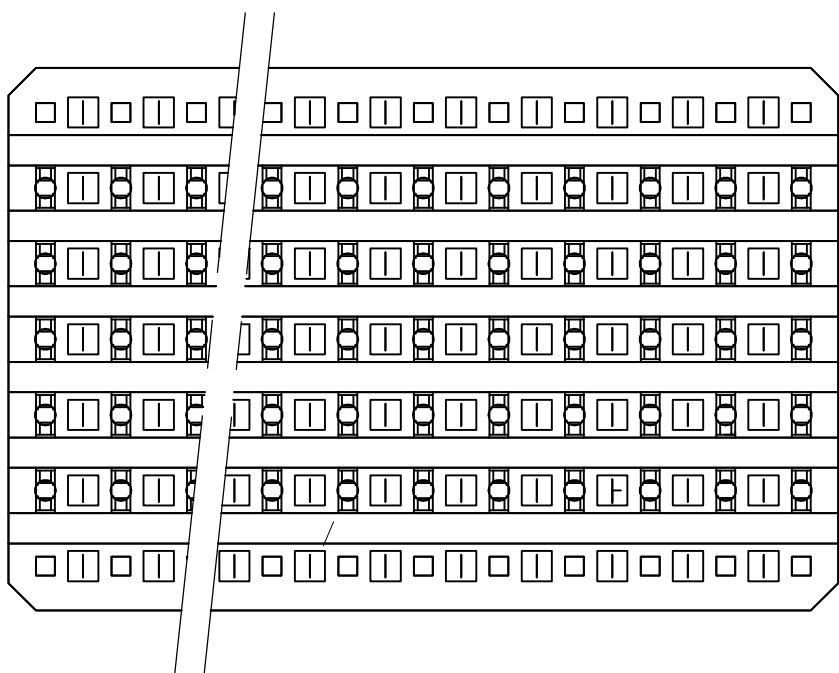
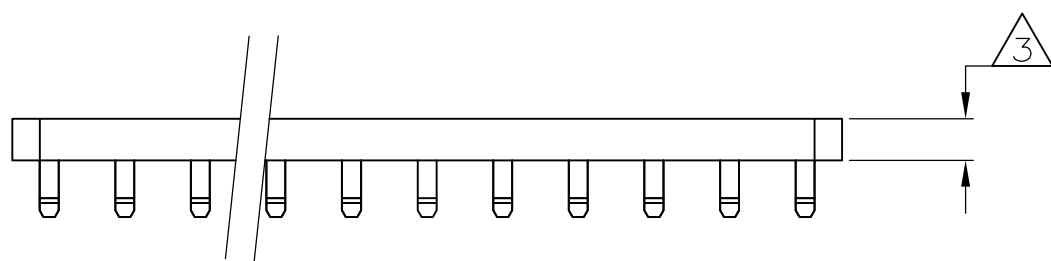
THIS DRAWING IS UNPUBLISHED. RELEASED FOR PUBLICATION
 © COPYRIGHT BY TYCO ELECTRONICS CORPORATION. ALL INTERNATIONAL RIGHTS RESERVED.

LOC	DIST	REVISIONS			
P	LTR	DESCRIPTION	DATE	DWN	APVD
C		REVISED PER ECO-11-001163	17JAN11	RC	CW



NOTES:

1. MATERIAL: UNFILLED POLYESTER.(GREY)
2. 0-352012-3 AS SHOWN.
3. VARIABLE HEIGHT.
4. TO DETERMINE THE RECOMMENDED SPACER-THICKNESS FOR A GIVEN PCB THICKNESS: SEE APPLICATION SPECIFICATION 114-19031.
5. OBSOLETE PARTS: OBSOLETE CIS STREAMLINING PER D.RENAUD/D.SINISI



	PARTNUMBER	4 DIM "A"
OBSOLETE	0-352012-1	0,7
	0-352012-2	0,9
5	0-352012-3	1,1
OBSOLETE	0-352012-4	1,3
	0-352012-5	1,5
OBSOLETE	0-352012-6	1,7
OBSOLETE	0-352012-7	1,9

THIS DRAWING IS A CONTROLLED DOCUMENT.		DWN D. TRUREN 16-AUG-96	Tyco Electronics Corporation Harrisburg, PA 17105-3608		
DIMENSIONS: mm		CHK FVKONINGSBRUGGE 24 JUN 1997	NAME Z-PACK 2mm HM SPACER, TYPE B 19 COLUMNS		
TOLERANCES UNLESS OTHERWISE SPECIFIED: 0 PLC ± 1 PLC ± 2 PLC ± ±0.2 3 PLC ± 4 PLC ± ANGLES ±		APVD FVKONINGSBRUGGE 24 JUN 1997	PRODUCT SPEC 108-19082		
MATERIAL -		FINISH -	APPLICATION SPEC 114-19029	SIZE A3	CAGE CODE 00779
CUSTOMER DRAWING			DRAWING NO C-352012	RESTRICTED TO -	SCALE -
			SHEET 1 OF 1	REV C	