

THIS DRAWING IS UNPUBLISHED. RELEASED FOR PUBLICATION, 19
 © COPYRIGHT 19 BY AMP INCORPORATED. ALL INTERNATIONAL RIGHTS RESERVED.

LOC	DIST	P	F	REVISIONS				
G	14			ZONE	LTR	DESCRIPTION	DATE	APPD
					D	EC 0720-0279-93	6-21-93	556 BB

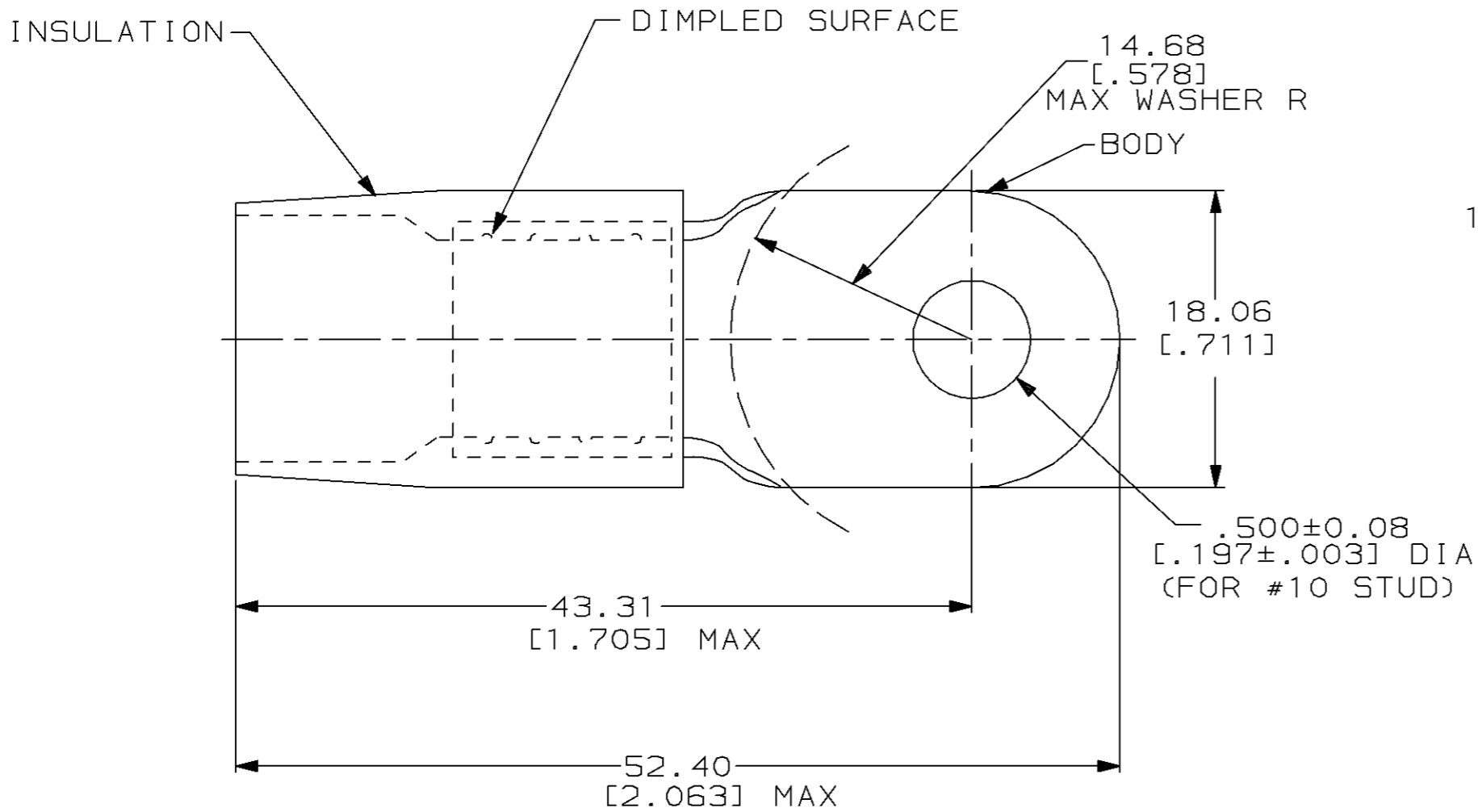
AMP
WIRE RANGE

2 AWG
STRANDED

METRIC

DIMENSIONS LISTED IN mm [INCHES]

1. TONGUE MATERIAL THK 1.45±0.08 [.057±.003] FOR 11.89 [.468] MAX WIRE INS DIA



AMP INCORPORATED
CUSTOMER SERVICE SYSTEMS

FOR ADDITIONAL PRODUCT INFORMATION OR COPIES OF DRAWINGS AND TECHNICAL DOCUMENTS	PRODUCT INFORMATION CENTER 1-800-522-6752
FOR APPLICATION TOOLING INFORMATION	TOOLING ASSISTANCE CENTER 1-800-722-1111
FOR ORDER ENTRY	1-800-526-5142

MAX RECOMMENDED OPERATING TEMPERATURE:
105°c

VOLTAGE RATING:
-

CIRCULAR MIL AREA:
26.7-42.4mm² [52,600-83,700] STRANDED

DO NOT SCALE PRINT. UNLESS SPECIFIED

~~DIMENSIONS IN mm [INCHES]~~

TOLERANCES ON:
2 PLC DEC ± 0.20 [.008]
3 PLC DEC ± -
ANGLES ± -

MATERIAL
COPPER PER ASTM B-152
NYLON (MIL-M-20693) TYPE 1
COLOR: RED

FINISH
TIN PLATE PER MIL-T-10727

QTY	LOOSE PC	328655
DR 6-21-93 S.S. GOULDEN	PACKAGE TYPE	PART NO
CHK 6-21-93 R. HERSEY	AMP AMP Incorporated Harrisburg, PA 17105-3608	
APPD 6-21-93 B. BARE	NAME	
APPD 6-21-93 M. ELLIS	TERMINAL, RING TONGUE, TERMINYL WIRE SIZE: 2 AWG	
PRODUCT SPEC	SIZE	CAGE CODE
APPLICATION SPEC	B	00779
WEIGHT -	SCALE	DRAWING NO
	NTS	C-328655
		SHEET
		1 OF 1