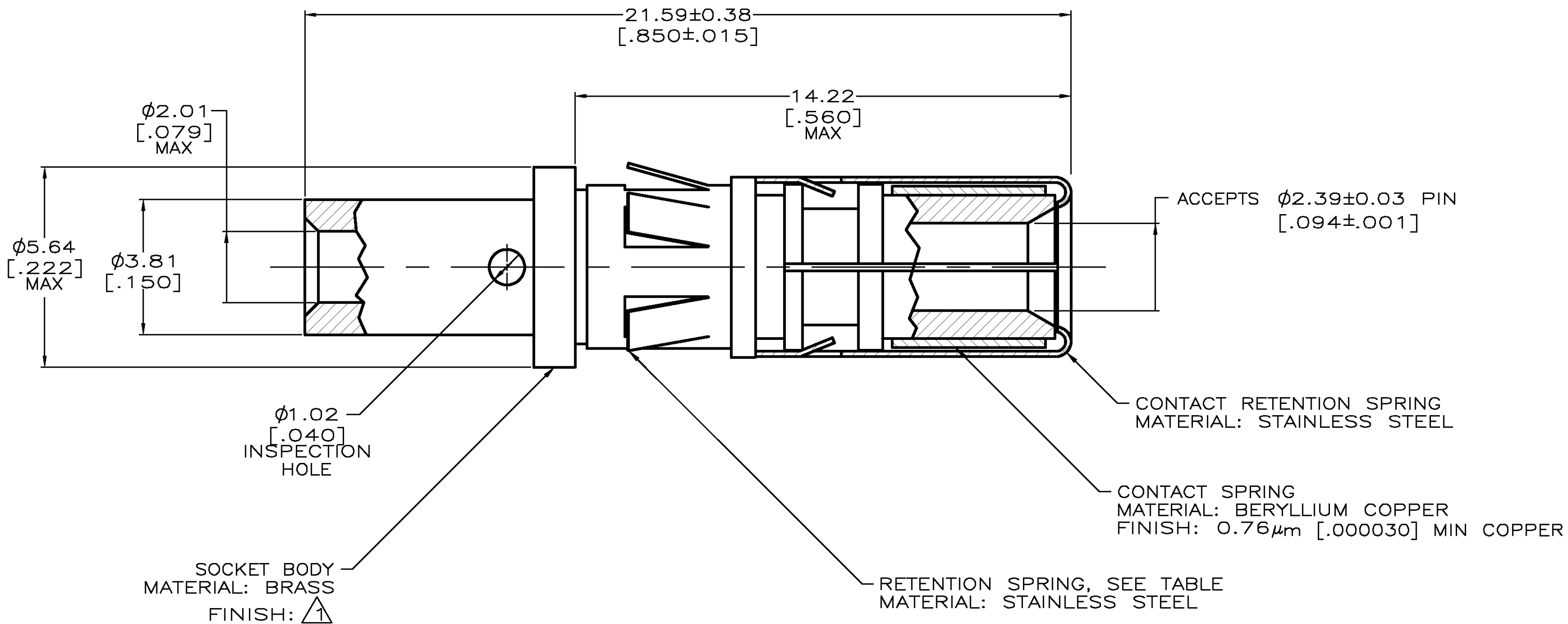


THIS DRAWING IS UNPUBLISHED. RELEASED FOR PUBLICATION
 © COPYRIGHT BY TYCO ELECTRONICS CORPORATION. ALL RIGHTS RESERVED.

LOC	DIST	REVISIONS			
P	LTR	DESCRIPTION	DATE	DWN	APVD
FT	8				
	H	REVISED PER 0G3B-0263-02	11/13/02	SS	GS



Δ 0.76 μm [0.000030] MIN GOLD OVER 1.27 μm [0.000050] MIN NICKEL.
 2. ASSEMBLY MATES WITH PIN ASSEMBLY 202421.

NO	202418-3
YES	202418-1
RETENTION SPRING	PART NUMBER

THIS DRAWING IS A CONTROLLED DOCUMENT.		DWN	30 DEC 97	Tyco Electronics Corporation	
DIMENSIONS: MM		CHK	09 JAN 98	Harrisburg, PA 17105	
TOLERANCES UNLESS OTHERWISE SPECIFIED:		APVD	30 JAN 98	NAME	
0 PLC	± -	G. STEINHAUER		CONTACT ASSEMBLY, SOCKET, WIRE SIZE #16-#18, TYPE I	
1 PLC	± -	PRODUCT SPEC		-	
2 PLC	± 0.13 [0.005]	APPLICATION SPEC		-	
3 PLC	± -	WEIGHT		-	
4 PLC	± -	MATERIAL		SEE CALLOUTS	
ANGLES	± -	FINISH		SEE CALLOUTS	
MATERIAL		FINISH		SIZE	RESTRICTED TO
SEE CALLOUTS		SEE CALLOUTS		A2	-
CUSTOMER DRAWING		SCALE		10:1	
		SHEET		1 OF 1	
		REV		H	

202418