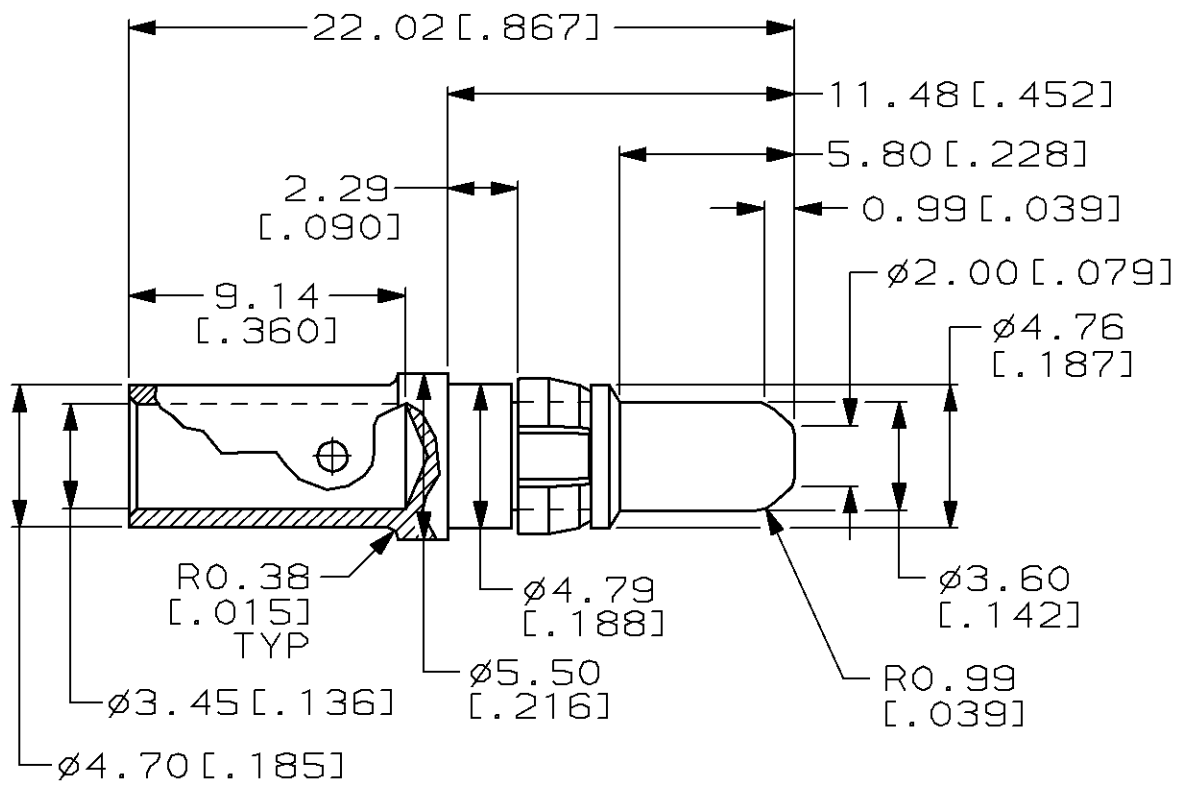


LOC AD	DIST 25	REVISIONS				
P	LTR	DESCRIPTION	DATE	DWN	APVD	
	0	DRAWN	-	-	-	

1. WIRE BARREL WILL ACCEPT 10 AWG WIRE.
2. MATES WITH PART NUMBER 148357-1.
3. RECOMMENDED CRIMPING TOOL: DANIELS TOOL #M300-BT, POSITIONER PART NUMBER SP689, SETTING #3, STRIP LENGTH 8.13 [.320].



THIS DRAWING IS UNPUBLISHED. BY AMP INCORPORATED. ALL RIGHTS RESERVED. COPYRIGHT 19

0.00076 [.000030] GOLD	CONTACT; BRASS	148406-1
	RETAINING RING; BERYLLIUM COPPER	
CONTACT AREA FINISH	MATERIAL	PART NUMBER

DIMENSIONS: mm	DWN L. BRINER 10/10/97	MATERIAL -	FINISH -
TOLERANCES UNLESS OTHERWISE SPECIFIED:	CHK R. PATTERSON 10/10/97	AMP Incorporated Harrisburg, PA 17105-3608	
0 PLC \pm -	APVD R. PATTERSON 10/10/97		
1 PLC \pm -	PRODUCT SPEC	NAME PIN CONTACT, POWER, EUROCARD TYPE M, 30 AMP	
2 PLC ± 0.13 [.005]	APPLICATION SPEC	SIZE A4	CAGE CODE 00779
3 PLC \pm -		DRAWING NO C-148406	
4 PLC \pm -		SCALE 4:1	SHEET 1 OF 1
ANGLES \pm -	WEIGHT -	REV 0	
CUSTOMER DRAWING			