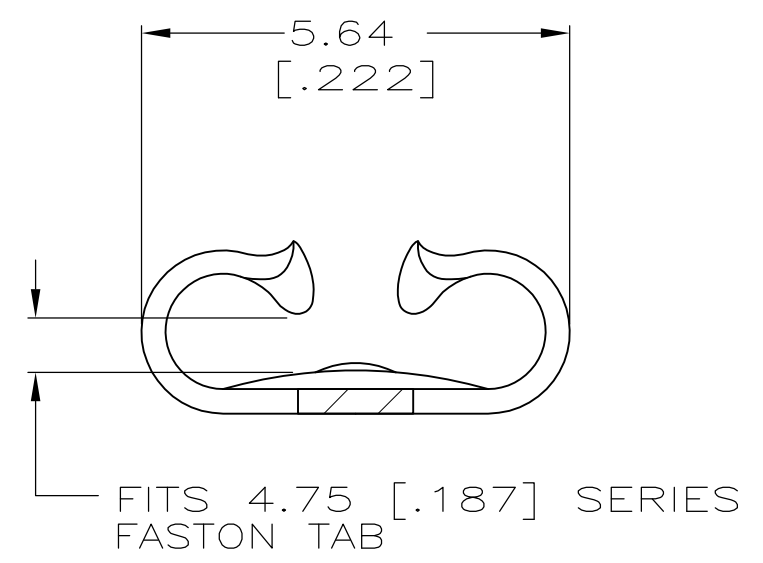
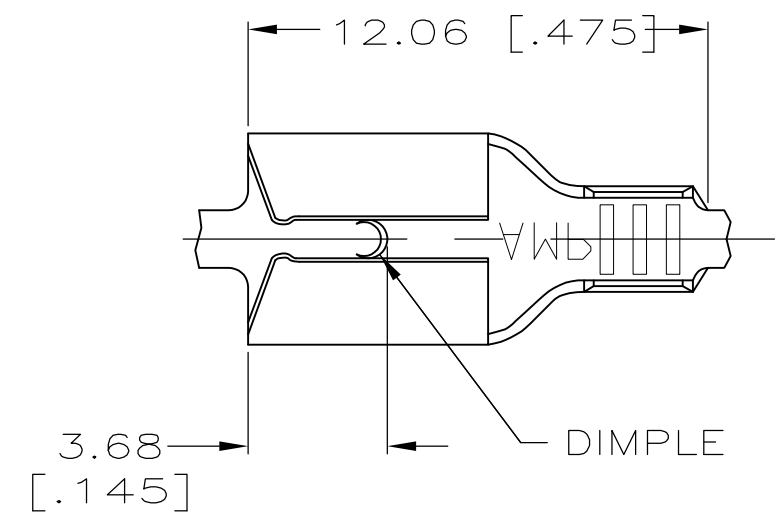


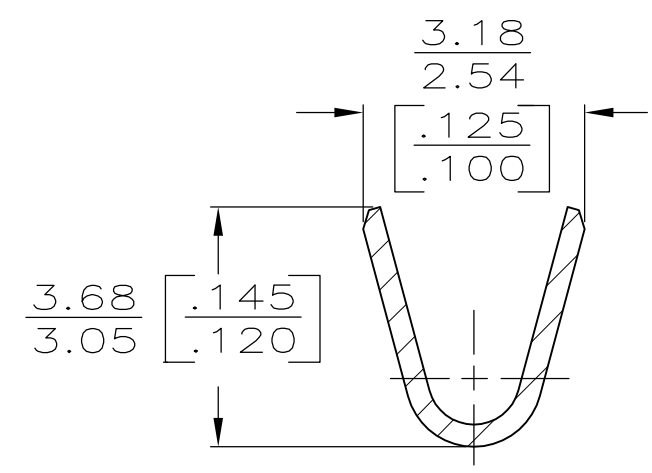
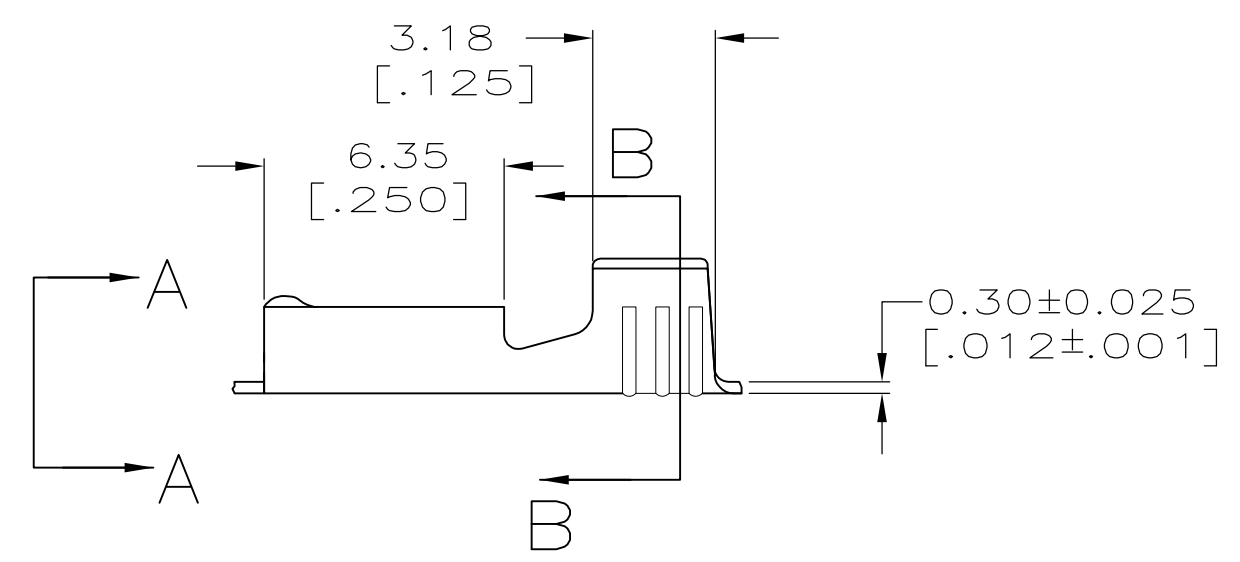
THIS DRAWING IS UNPUBLISHED. RELEASED FOR PUBLICATION
 © COPYRIGHT - By - ALL RIGHTS RESERVED.

LOC	DIST	REVISIONS			
P	LTR	DESCRIPTION	DATE	DWN	APVD
AF	50				
	D	REVISED PER ECR-12-013459	28NOV2012	KH	PD



VIEW A-A
SCALE 10:1

- 1 CONTINUOUS STRIP ON REELS
- 2 TIN
- 3 MATING TAB THK TO BE 0.81±0.025 [.032±.001].
- 4 WIRE SIZE IS [#20-#16] AWG.



SECTION B-B
SCALE 10:1

61969-1
PART NUMBER

THIS DRAWING IS A CONTROLLED DOCUMENT.		DWN	JR RUTH	1/24/97	STE TE Connectivity					
DIMENSIONS: mm [INCHES]		CHK	P FORTNEY	1/24/97				NAME RECEPTACLE, FASTON,™ 4.75 [.187] SERIES		
TOLERANCES UNLESS OTHERWISE SPECIFIED:		APVD	P DESANTIS	1/24/97	PRODUCT SPEC	SIZE	A3			
0 PLC ± -		APPLICATION SPEC			CAGE CODE	00779	DRAWING NO	C-61969	RESTRICTED TO	
1 PLC ± -					WEIGHT	-				
2 PLC ± 0.38 [.015]		MATERIAL		FINISH	CUSTOMER DRAWING		SCALE	5:1	SHEET	1 OF 1
3 PLC ± -		BRASS		2			REV	D		
4 PLC ± -										
ANGLES ± -										