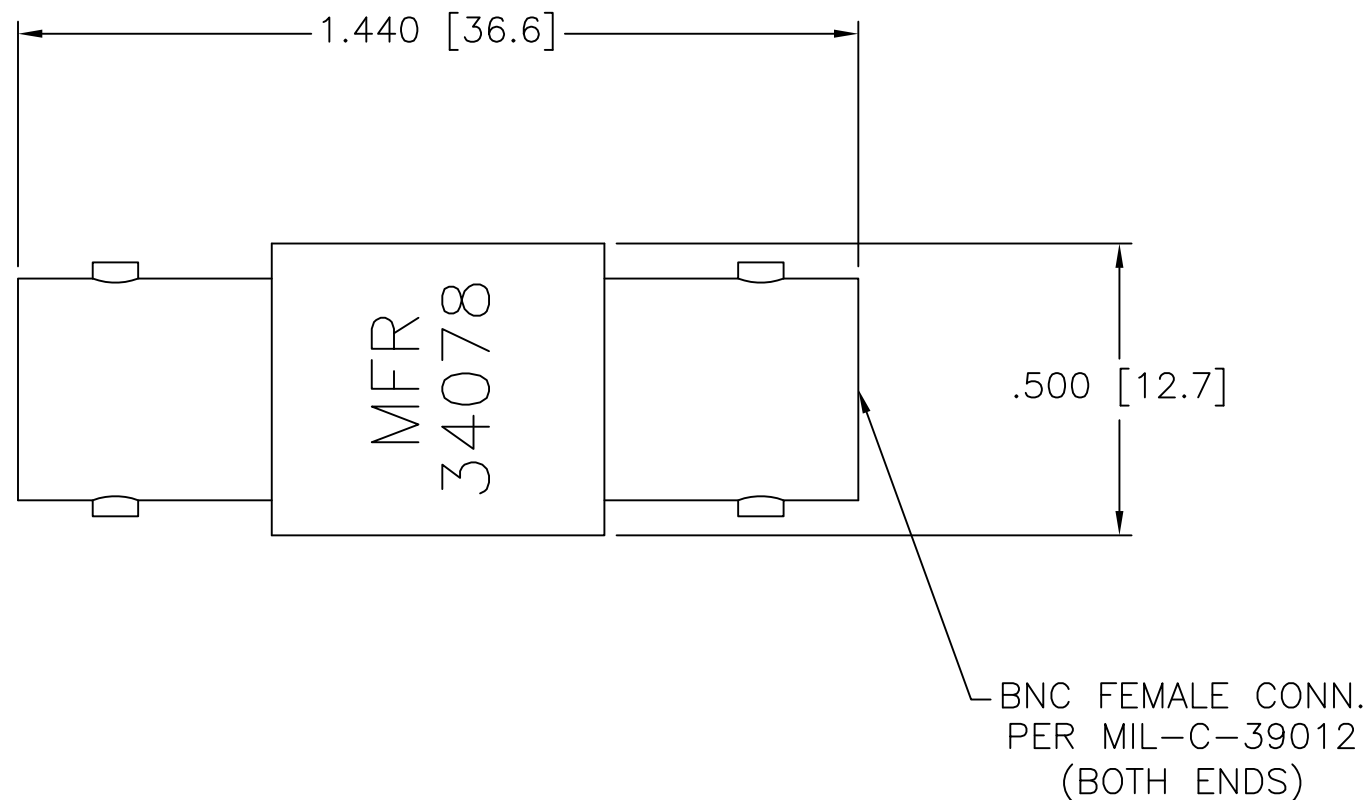


MODEL NUMBER
ADT-2829-FF-BNC-10

NOTES:

- 1.0 MATERIALS:
 - 1.1 HOUSING (BNC): HALF HARD BRASS PER ASTM B16.
 - 1.2 HOUSING (BARREL): STAINLESS STEEL PER ASTM-A582, TYPE 303.
 - 1.3 CENTER CONTACT: BERYLLIUM COPPER ROD ALLOY C172, PER ASTM-B196.
 - 1.4 DIELECTRIC: PTFE FLUOROCARBON PER ASTM-D1457.
- 2.0 PLATING:
 - 2.1 HOUSING(BNC): NICKEL PER QQ-N-290.
 - 2.2 HOUSING(BARREL): PASSIVATED PER MIL-F-14072 AND QQ-P-35
 - 2.3 CENTER CONTACT: GOLD PER MIL-G-45204 TYPE II, CLASS 2
- 3.0 MECHANICAL:
 - 3.1 INTERFACE PER MIL-STD-348, FIG. 301-2 IN ACCORDANCE WITH MIL-A-55339.
 - 3.2 CENTER CONTACT CAPTURED IN ACCORDANCE WITH MIL-A-55339.
- 4.0 ELECTRICAL:
 - 4.1 FREQUENCY RANGE: DC to 4.0 GHz
 - 4.2 VSWR: 1.25:1 MAXIMUM.
 - 4.3 IMPEDANCE: 50 OHMS
- 5.0 MARK UNIT AS SHOWN USING BLACK INK.
- 6.0 DIMENSIONS IN BRACKETS ARE MILLIMETERS.

ALL OTHER MECHANICAL, ELECTRICAL, AND ENVIRONMENTAL CHARACTERISTICS ARE IN ACCORDANCE WITH MIL-A-55339



DATE	6/22/93
DESCRIPTION	RELEASED
REV.	-

NOTICE: The information contained in this drawing is proprietary and must not be used without the permission of Emerson Network Power. UNLESS OTHERWISE NOTED DIMENSIONS ARE IN INCHES AND TOLERANCES ARE: 3 PLACE DECIMALS ±.005 2 PLACE DECIMALS ±.02 FRACTIONS ±1/64 PARALLELITY: T.I.R. _____ FLATNESS: T.I.R. _____ CONCENTRICITY: T.I.R. _____ ANGLES AND PERPENDICULARITY: ±1°	CAGE CODE 34078	MIDWEST MICROWAVE	
			TITLE ADAPTER BNC JACK/JACK OUTLINE DRAWING
DRAWN/DATE M.HOLLMAN 5/16/93	ENG./DATE A.OSGA 6/22/93	DRAWING NUMBER ADT-2829-FF-BNC-10-01	REV. -
CHECKED/DATE A.BEATTY 6/22/93	APPROVED/DATE	SCALE: 3=1	SHEET 1 of 1