

**TECHNICAL SPECIFICATIONS:**

**MATERIAL :**

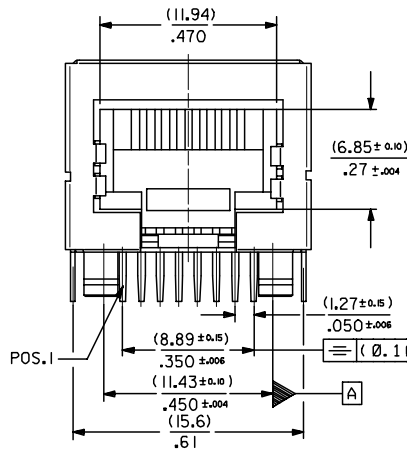
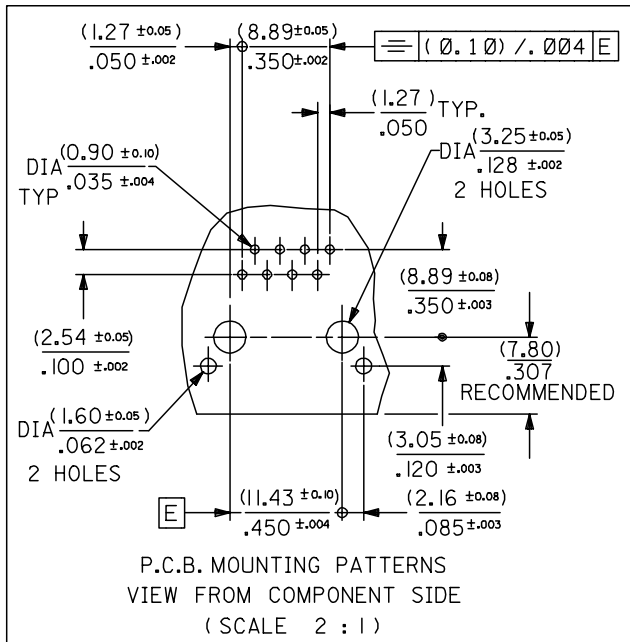
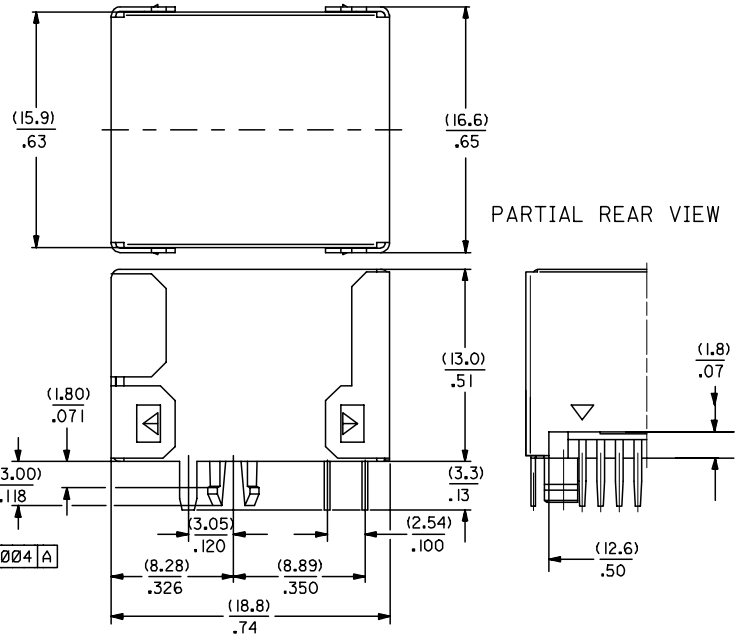
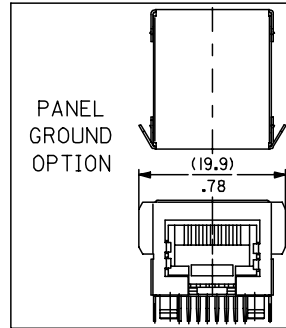
HOUSING TYPE 1: POLYESTER GLASS FILLED UL 94VO  
COLOR BLACK

HOUSING TYPE 2: POLYAMIDE HIGH TEMPERATURE GLASS  
FILLED UL 94VO COLOR BLACK

TERMINAL : PHOSPHOR BRONZE PLATED WITH :  
(0.00127)/.000050 MIN. GOLD IN CONTACT AREA,  
(0.00190)/.000075 MIN. PURE TIN IN TAIL AREA,

BOTH OVER (0.00127)/.000050 MIN. NICKEL OVERALL  
SHIELD : BRASS PLATED WITH (0.0020)/.000078 MIN. TIN.

ENG.N°.	HOUSING SIZE	HOUSING MATERIAL TYPE	LOADED CKTS	PANEL GROUND	TOOLED	PACKAGING SPECIFICATION PK-95122
95122-2881	8	1	8	NO	YES	TRAY (SHEET 1)
95122-2882				YES	YES	BLISTER (SHEET 2)
95122-2883		2		NO	YES	TRAY (SHEET 1)



3	K
2	K
1	K

**NOTES:**

- JACK FOR MATING WITH SHIELDED PLUG MOLEX 95043 AND 85568 SERIES.
- PRODUCT SPECIFICATION: MOLEX PS-95122.
- APPLICATION SPECIFICATION: MOLEX AS-95001.
- PACKAGING SPECIFICATION: MOLEX PK-95122 (SEE CHART)
- P.C. BOARD THICKNESS : (1.57)/.062

ENTER DESCRIPTION EC NO: MG2005-0122 DRAWN: KNOLLER 2004/10/08 CHKD: FCARABET 2004/10/08 APPR: KNOLLER 2004/10/08	QUALITY SYMBOLS ▽=0 ▽=0	GENERAL TOLERANCES (UNLESS SPECIFIED)		DIMENSION STYLE	SCALE	DESIGN UNITS	THIRD ANGLE PROJECTION
		mm	INCH	MM/IN	3:1	METRIC	
DRAWING DESCRIPTION	REVISION	4 PLACES	± ---	± ---	DRAWN BY	DATE	FULLY SHIELDED R/A MODULAR JACK 8 CKTS THROUGH HOLE - VERSION A
		3 PLACES	± ---	± .010	GP	93/04/20	
DRAWING DESCRIPTION	REVISION	2 PLACES	± 0.25	± .014	CHECKED BY	DATE	MOLEX INCORPORATED
		1 PLACE	± 0.35	± ---	FB	93/04/20	
DRAWING DESCRIPTION	REVISION	ANGULAR ± 2 °		APPROVED BY	DATE	SDA-95122	SHEET NO. 1 OF 3
		DRAFT WHERE APPLICABLE MUST REMAIN WITHIN DIMENSIONS		JB	93/04/20		
MATERIAL NO.		SEE CHART		DOCUMENT NO.		THIS DRAWING CONTAINS INFORMATION THAT IS PROPRIETARY TO MOLEX INCORPORATED AND SHOULD NOT BE USED WITHOUT WRITTEN PERMISSION	