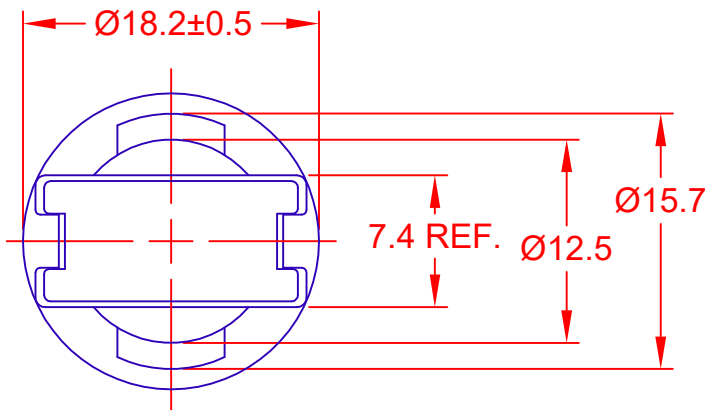
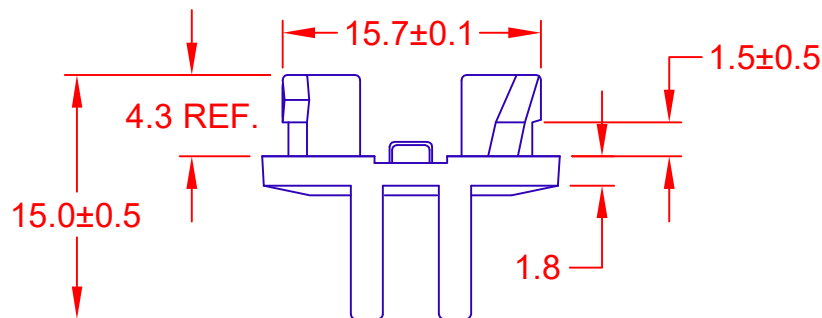
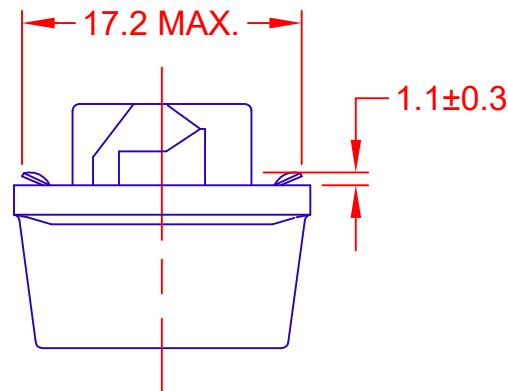
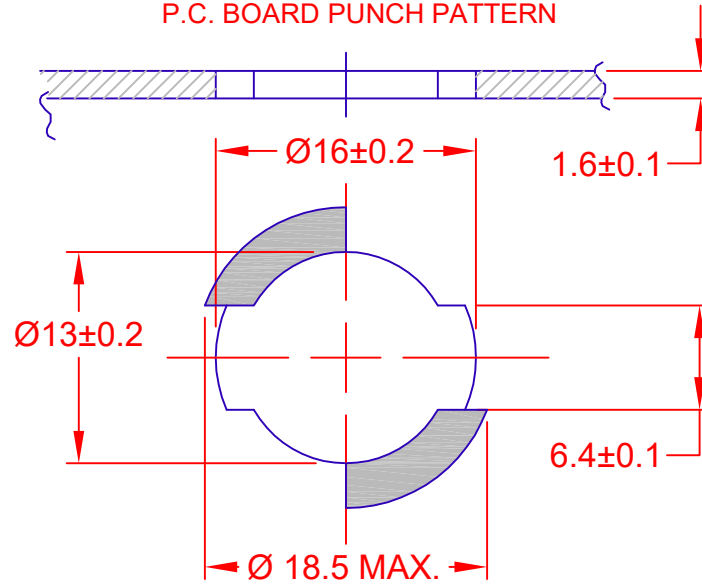
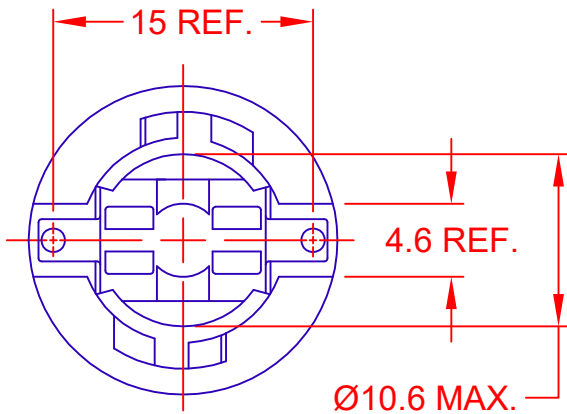


REV.	DESCRIPTION/ECO NO.	DATE
	RELEASED AS CAD	8/26/02
A	CHANGE MECH. ART	7/24/06
B	CHANGE CONTACT DIMENSION	8/18/06
C	CHANGE DIM. 5 TO 4.3 REF.	2/5/07
D	ADD DIM. 15.7±0.1	1/5/17
E	ADD SOLDER PAD	2/15/17

P.C. BOARD PUNCH PATTERN



BASE COLOR: BLACK

<p>THIRD ANGLE PROJECTION</p>	<p>DIMENSIONS ARE IN MILLIMETERS</p> <p>TOLERANCE UNLESS OTHERWISE SPECIFIED</p> <p>1 PL +/- 0.2</p> <p>2 PL +/- 0.20</p> <p>ANGLE +/- 0</p>	<p><b>JKL</b> COMPONENTS CORPORATION</p>			
		<p>TITLE</p> <p><b>T-3 1/4 WEDGE BASE LAMP SOCKET</b></p>			
<p>DRAWN BY</p> <p>L. WENGSTROM</p>	<p>APPV'D BY</p> <p>L.R.</p>	<p>DATE</p> <p>2/15/17</p>	<p>SIZE</p> <p><b>A</b></p>	<p>FSCM NO.</p> <p><b>55335</b></p>	<p>DRAWING NO.</p> <p><b>SOCKET 2933</b></p>
<p>- CAD DRAWING -</p> <p>MANUAL REVISIONS NOT PERMITTED</p>			<p>SCALE</p> <p>NONE</p>	<p>RELEASED DATE</p> <p>8/26/02</p>	<p>REVISION DATE</p> <p>2/15/17</p>
				<p>REV. NO.</p> <p><b>E</b></p>	<p>SHEET</p> <p>1 OF 1</p>