

C. W. *Walters* 5-21-92 6
 APPROVED BY/DATE REV

SAFETY ORGANIZATION(S):
 THIS FILTER HAS BEEN FORMALLY RECOGNIZED, CERTIFIED OR APPROVED BY THE LISTED AGENCY. THEREFORE, ALL TEST/REQUIREMENTS SPECIFIED IN THE LATEST REVISION OF THE FOLLOWING AGENCY STANDARDS HAVE BEEN MET:

UL RECOGNIZED
 CSA CERTIFIED
 VDE APPROVED
 SEV APPROVED
 UL 1283
 CSA 22.2, NO. 0, 0.4, 8
 VDE 565-3
 SEV 1055/TP1977/5.1.1

OPERATING SPECIFICATIONS:
 LINE VOLTAGE/CURRENT:

3 AMP., 120/250 VAC
 3 AMP./40°C, 250 VAC
 50-60Hz
 40°C

LINE FREQUENCY:
 MAX. CASE RISE @ RATED CURRENT:
 MAX. LEAKAGE CURRENT, EACH
 LINE TO GROUND

OPERATING AMBIENT TEMP. RANGE:
 IN AN AMBIENT, T_a , HIGHER THAN 40°C, THE MAXIMUM OPERATING CURRENT, I_o , IS AS FOLLOWS:

$$I_o = I_r \sqrt{\frac{85 - T_a}{45}}$$

RELIABILITY SPECIFICATIONS:
 STORAGE TEMPERATURE:
 HUMIDITY:
 CURRENT OVERLOAD TEST:
TEST SPECIFICATIONS:
 INDUCTANCE:
 CAPACITANCE: (MEASURED @ 1 KHz, 0.25 VAC MAX., 25°C ±1°C)
 LINE TO GROUND:
 LINE TO LINE:
 DISCHARGE RESISTOR
 LINE/GROUND AND LINE/LINE
 INSULATION RESISTANCE

7.06 mH NOMINAL
 .006µF ±20%
 .54µF ±20%
 330 KΩ
 6000 MΩ (MIN) AT 100 VDC
 20°C AND 50% RH

RECOMMENDED RECEIVING INSPECTION HIPOT:
 LINES TO GROUND:
 LINE TO LINE:

2250 VDC FOR 1 MINUTE
 1450 VDC FOR 1 MINUTE

FILTER APPROVAL:
 THE BEST WAY TO SELECT AND QUALIFY A FILTER IS FOR YOUR ENGINEERING TO TEST THE UNIT IN YOUR EQUIPMENT.

TOLERANCE EXCEPT AS NOTED
 DECIMAL: .XXX .XX .X ANGLES
 ENGLISH: ±.025
 METRIC: ±

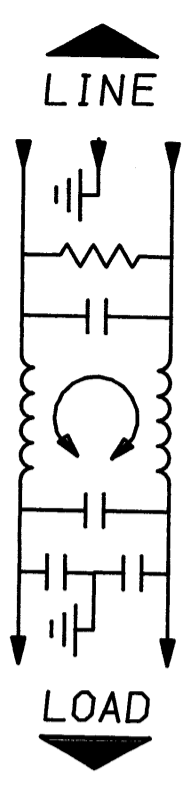
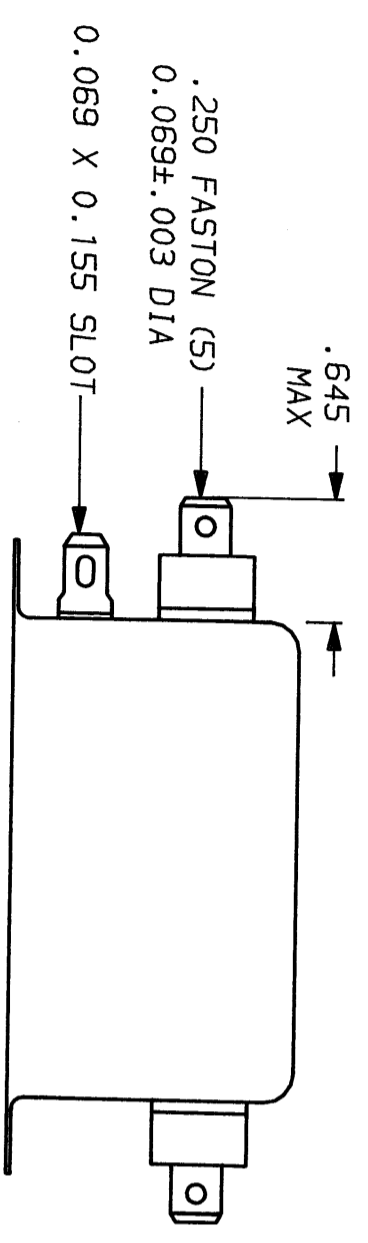
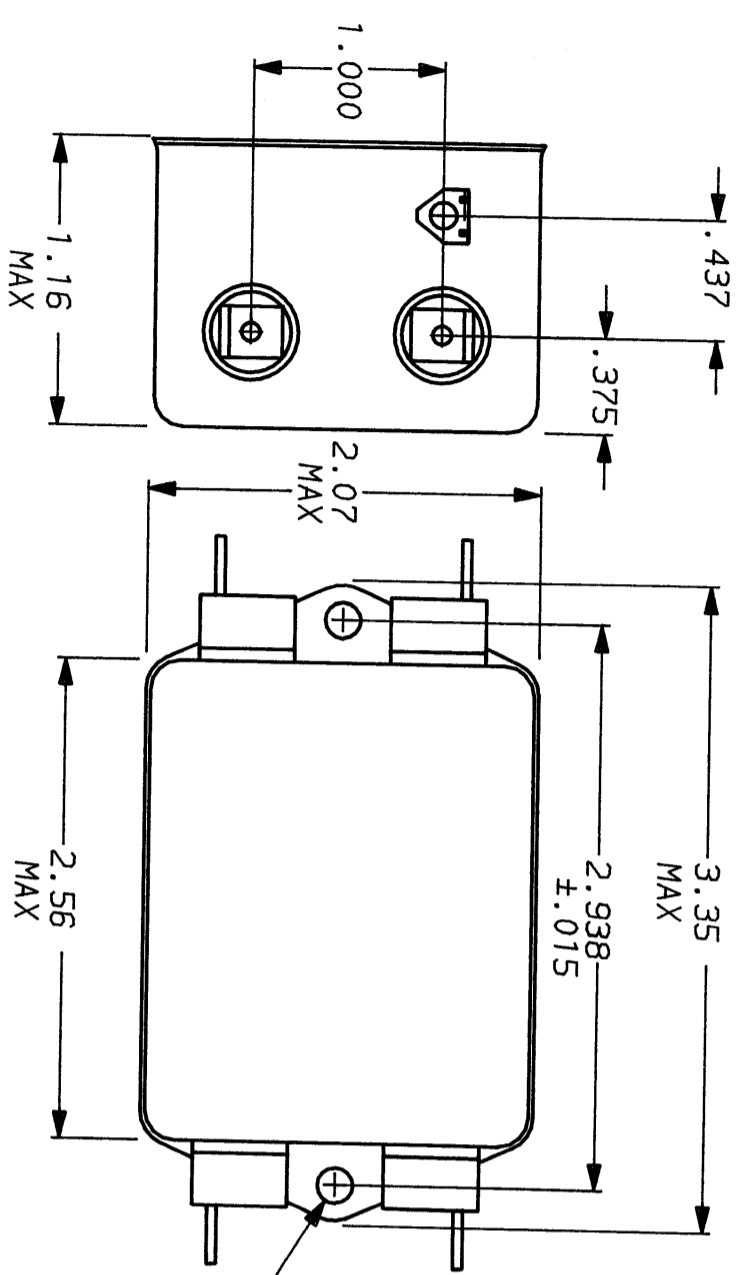
MATERIAL:
 AS SUPPLIED

FINISH:
 AS SUPPLIED



POWER LINE FILTER

SCALE	DATE	DRG. NO.	REV.
NTS	9-12-89	3ESK1	06
DNW. BY	ORIGINATOR		
TDL	CM		



50Ω - 50Ω (MINIMUM) INSERTION LOSS

FREQUENCY MHZ	.01	.02	.05	.08	.1	.15	.5	1	5	10	20	30
COMMON dB	7	13	21	26	28	33	50	40	38	38	38	38
DIFF. dB	1	1	2	3	3	10	25	59	65	65	60	55

This document is proprietary to CORCOM INC. and is not to be reproduced nor used for manufacturing purposes except on CORCOM's order or prior written consent.