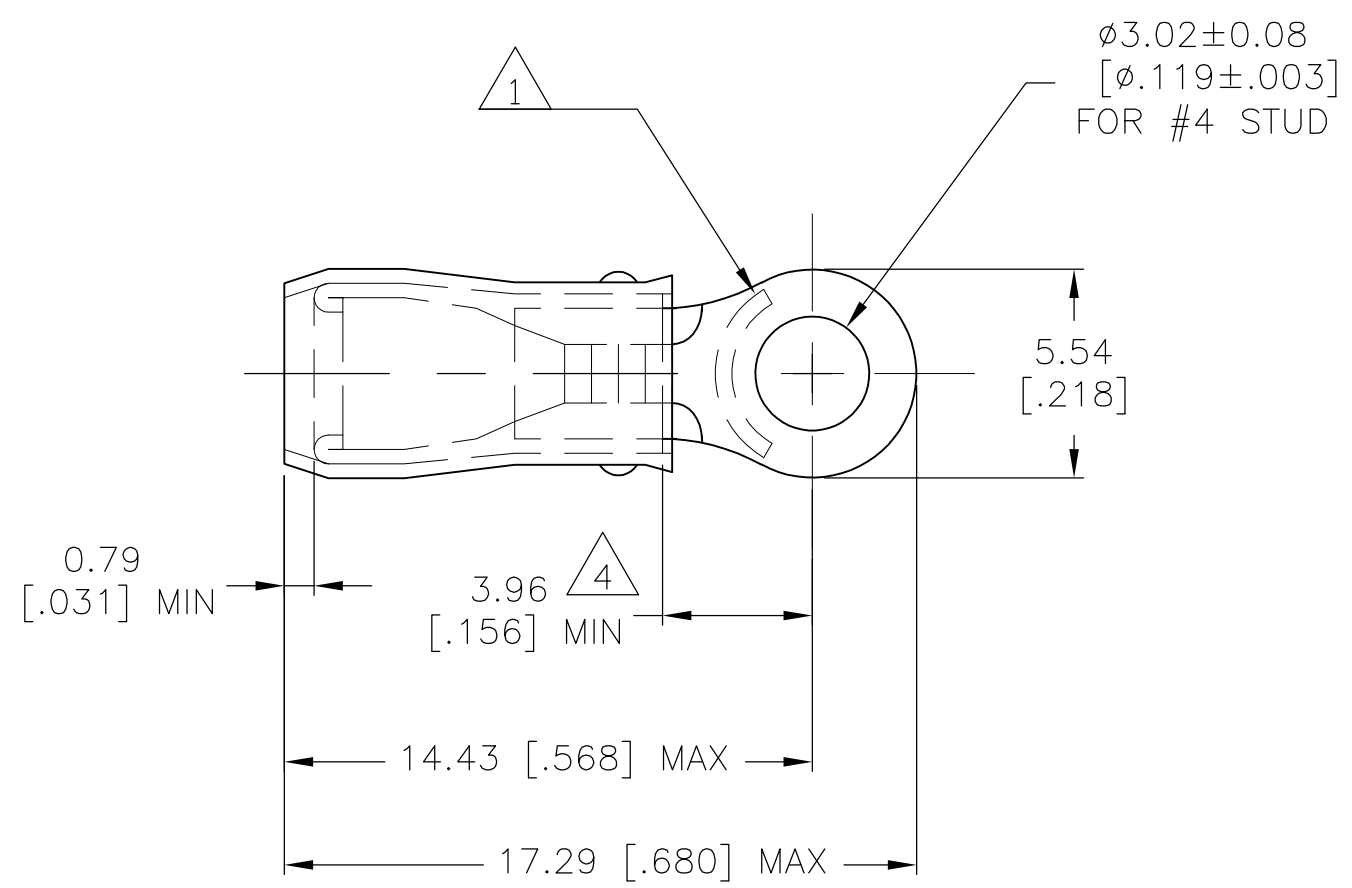


THIS DRAWING IS UNPUBLISHED. RELEASED FOR PUBLICATION
 © COPYRIGHT BY TYCO ELECTRONICS CORPORATION. ALL RIGHTS RESERVED.

LOC	DIST	REVISIONS					
		P	LTR	DESCRIPTION	DATE	DWN	APVD
G	14		E1	REV PER ECR 07-014387	19JUN07	JR	TM

- 1 STAMP AMP 18-16, APPROX AS SHOWN
- 2 WIRE INSULATION DIA IS 1.4-2.8mm [.055-.110] DIA
- 3 TONGUE MATERIAL THICKNESS IS 0.79±0.05 [.031±.002].
- 4 APPLIES FROM EDGE OF WIRE BARREL TO CENTER OF STUD HOLE.
- 5 MATERIAL: BODY - COPPER PER ASTM B-152 SLEEVE - NYLON
- 6 FINISH: BODY - TIN PLATE PER ASTM B-545 SLEEVE - COLOR, ORANGE



1000	LOOSE PIECE	152887
QTY	PACKAGE TYPE	PART NO.

AMP INCORPORATED CUSTOMER SERVICE SYSTEMS		MAX RECOMMENDED OPERATING TEMPERATURE: 105°C [221°F]	THIS DRAWING IS A CONTROLLED DOCUMENT.		DWN JR RUTH 19JUN2007	Tyco Electronics Corporation Harrisburg, PA 17105-3608			
FOR ADDITIONAL PRODUCT INFORMATION OR COPIES OF DRAWINGS AND TECHNICAL DOCUMENTS	PRODUCT INFORMATION CENTER 1-800-522-6752	VOLTAGE RATING: 300 V MAX	DIMENSIONS: mm [INCHES]	TOLERANCES UNLESS OTHERWISE SPECIFIED:	CHK T MICHIELUTTI 19JUN07	NAME TERMINAL, RING TONGUE, PIDG, WIRE SIZE: 18-16 AWG			
FOR APPLICATION TOOLING INFORMATION	TOOLING ASSISTANCE CENTER 1-800-722-1111	CIRCULAR MIL AREA: 0.81-1.65mm² [1600-3260] SOLID OR STRANDED		0 PLC ± - 1 PLC ± - 2 PLC ± 0.20 [.008] 3 PLC ± - 4 PLC ± - ANGLES ± -	APVD T MICHIELUTTI 19JUN07	APPLICATION SPEC			
FOR ORDER ENTRY	1-800-526-5142	THIS DRAWING IS A CONTROLLED DOCUMENT FOR AMP INCORPORATED. IT IS SUBJECT TO CHANGE AND THE CONTROLLING ENGINEERING ORGANIZATION SHOULD BE CONTACTED FOR THE LATEST REVISION.	MATERIAL 5	FINISH 6	PRODUCT SPEC	SIZE A3	CAGE CODE 00779	DRAWING NO G-152887	RESTRICTED TO
					WEIGHT	SCALE 5:1		SHEET 1 OF 1	REV E1